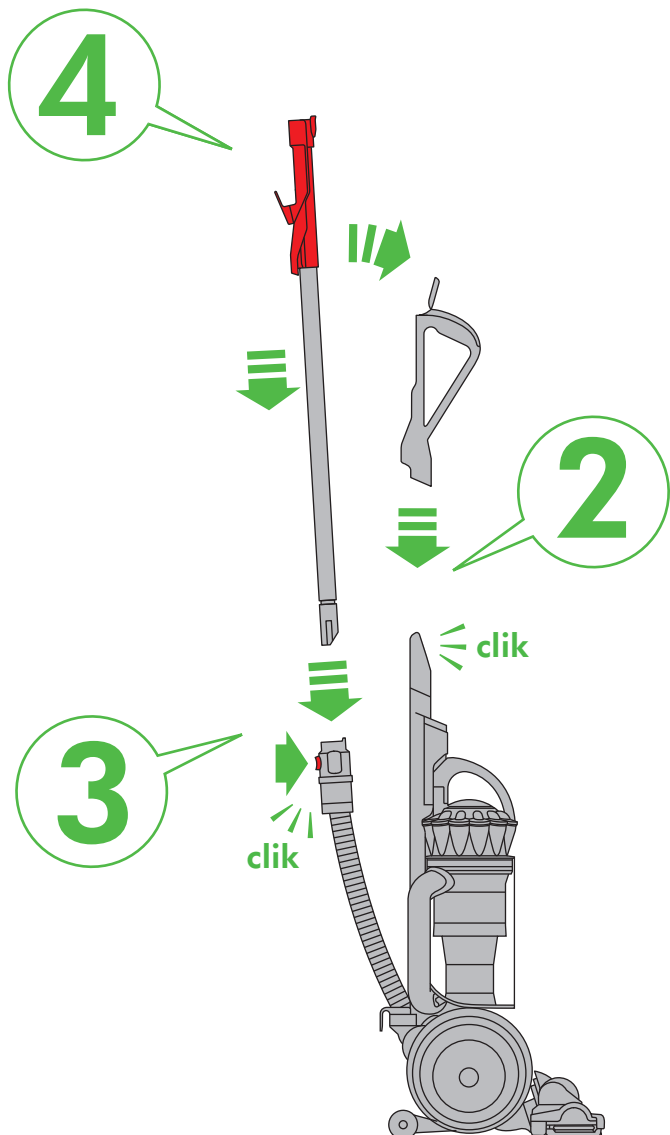
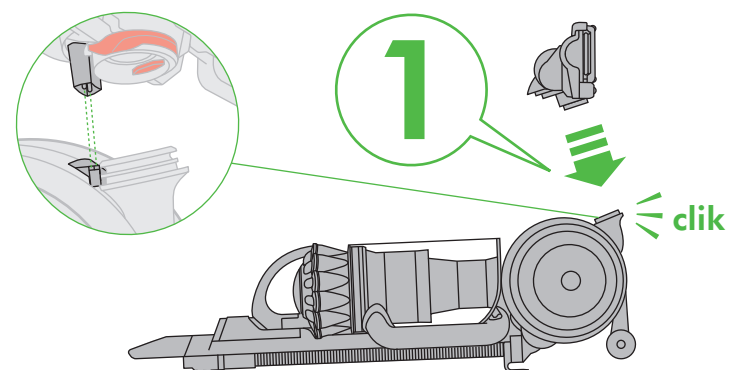


ASSEMBLY ARMADO



**WASH FILTERS**

Wash filters with cold water at least every 3 months.

**LAVADO DEL FILTRO**

Lave los filtros con agua fría al menos cada 3 meses.



**REGISTER TODAY**

3 easy ways to register your 5 year warranty.

**REGISTRE HOY**

3 maneras fáciles de registrarse sus 5 años de garantía.



# IMPORTANT SAFETY INSTRUCTIONS

**BEFORE USING THIS APPLIANCE READ ALL INSTRUCTIONS AND CAUTIONARY MARKINGS IN THIS MANUAL AND ON THE APPLIANCE**

When using an electrical appliance, basic precautions should always be followed to reduce the risk of fire, electric shock, and injury to persons, including the following:

## **WARNING**

**TO REDUCE THE RISK OF FIRE, ELECTRIC SHOCK, OR INJURY:**

1. This Dyson appliance is not intended for use by young children or infirm persons with reduced physical, sensory or reasoning capabilities, or lack of experience and knowledge, unless they have been given supervision or instruction by a responsible person concerning use of the appliance to ensure that they can use it safely.
2. Do not allow to be used as a toy. Close attention is necessary when used by or near children. Children should be supervised to ensure that they do not play with the appliance.
3. Use only as described in this Dyson Operating Manual. Do not carry out any maintenance other than that shown in this manual, or advised by the Dyson Helpline.
4. Suitable for dry locations only. Do not use outdoors or on wet surfaces.
5. Do not use to pick up water.
6. Do not handle any part of the plug or appliance with wet hands.
7. Do not use with a damaged cord or plug. If the supply cord is damaged it must be replaced by Dyson, its service agent or similarly qualified person in order to avoid a hazard.
8. If the appliance is not working as it should, has received a sharp blow, has been dropped, damaged, left outdoors, or dropped into water, do not use and contact the Dyson Helpline.
9. Contact the Dyson Helpline when service or repair is required. Do not disassemble the appliance as incorrect reassembly may result in an electric shock or fire.
10. Do not stretch the cord or place the cord under strain. Keep the cord away from heated surfaces. Do not close a door on the cord, or pull the cord around sharp edges or corners. Arrange the cord away from traffic areas and where it will not be stepped on or tripped over. Do not run the appliance over the cord.
11. Do not unplug by pulling on the cord. To unplug, grasp the plug, not the cord. The use of an extension cord is not recommended.
12. Do not use to pick up flammable or combustible liquids, such as gasoline, or use in areas where they or their vapors may be present.
13. Do not pick up anything that is burning or smoking, such as cigarettes, matches, or hot ashes.
14. Keep hair, loose clothing, fingers, and all parts of body away from openings and moving parts, such as the brush bar. Do not point the hose, wand or tools at your eyes or ears or put them in your mouth.
15. Do not put any object into openings. Do not use with any opening blocked; keep free of dust, lint, hair, and anything that may reduce airflow.
16. Use only Dyson recommended accessories and replacement parts.
17. To avoid a tripping hazard rewind the cord when not in use.
18. Do not use without the clear bin and filters in place.
19. Do not leave the appliance when plugged in. Unplug when not in use and before servicing.
20. Do not pull or carry by cord or use cord as a handle.
21. Use extra care when cleaning on stairs. Do not work with the appliance above you on the stairs.
22. Turn off all controls before unplugging. Unplug before connecting any tool or accessory.

## READ AND SAVE THESE INSTRUCTIONS

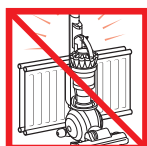
THIS DYSON APPLIANCE IS INTENDED FOR HOUSEHOLD USE ONLY

## POLARIZATION INSTRUCTIONS

To reduce the risk of electric shock, this appliance has a polarized plug (one blade is wider than the other). This plug will fit in a polarized outlet only one way. If the plug does not fit fully in the outlet, reverse the plug. If it still does not fit, contact a qualified electrician to install the proper outlet. Do not attempt to defeat this safety feature and do not change the plug in any way.



Do not pull on the cord.



Do not store near heat sources.



Do not use near open flames.



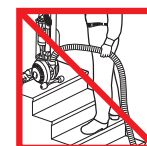
Do not run over the cord.



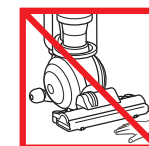
Do not pick up water or liquids.



Do not pick up burning objects.



Do not use above you on the stairs.



Do not put hands near the brush bar when the appliance is in use.

# INSTRUCCIONES DE SEGURIDAD IMPORTANTES

ANTES DE UTILIZAR ESTE APARATO, LEA TODAS LAS INSTRUCCIONES Y LAS INDICACIONES DE PRECAUCIÓN QUE VIENEN TANTO EN ESTE MANUAL COMO EN EL APARATO

Cuando se usa un aparato eléctrico, deben seguirse las precauciones básicas para reducir riesgos de incendio, descarga eléctrica y lesiones personales, que incluyen lo siguiente:

## PELIGRO

PARA DISMINUIR EL RIESGO DE PROVOCAR UN INCENDIO, RECIBIR UNA DESCARGA ELÉCTRICA O LESIONES:

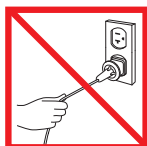
1. Este aparato Dyson no fue diseñada para que sea utilizada por niños o personas débiles con capacidades físicas, sensoriales o mentales reducidas, o que carezcan de conocimiento y experiencia al respecto, a menos que sean supervisadas o hayan recibido instrucciones por parte de una persona responsable.
2. No permita que se utilice como un juguete. Es necesaria la atención de un adulto cuando es utilizada por o cerca a un niño. Los niños deben ser supervisados para asegurarse de que no jueguen con el aparato.
3. Utilícela solamente como se describe en este manual de funcionamiento Dyson. No realice ningún otro mantenimiento que no sea el mostrado en este manual, o el recomendado por la línea de ayuda de servicio al cliente Dyson.
4. Adecuada solamente para lugares secos. No utilice para aspirar agua u otros líquidos.
5. No utilice para aspirar agua u otros líquidos.
6. No manipule el enchufe con las manos mojadas.
7. No lo use si el cable o el enchufe están dañados. Si se ha dañado el cable de corriente, deberá ser reemplazado por Dyson, uno de sus representantes de servicio u otra persona igualmente capacitada a fin de evitar un peligro.
8. Si el aparato no funciona como es debido, ha recibido un golpe fuerte o se ha caído, dañado, dejado a la intemperie, o sumergido en agua, no lo utilice y comuníquese con la línea de ayuda de servicio al cliente Dyson.
9. Comuníquese con la línea de ayuda de servicio al cliente Dyson cuando se requiera mantenimiento o reparación. No desmonte el aparato, ya que un montaje incorrecto puede provocar descargas eléctricas o incendios.
10. No estire el cable ni lo someta a tensión. Mantenga el cable alejado de superficies calientes. No atrape el cable al cerrar puertas, ni jale el cable sobre bordes o esquinas filosas. Coloque el cable alejado de áreas de tráfico intenso, en un lugar donde nadie pueda pisar o tropezar con el cable. No pise el cable del aparato.
11. No desconecte el aparato tirando del cable. Para desconectar, tome el enchufe y no el cable. No es recomendable utilizar una extensión de cable.
12. No aspire líquidos inflamables o combustibles como gasolina, ni la utilice en áreas donde pueda haber este tipo de líquido.
13. No aspire nada que se esté quemando o que emita humo, como cigarrillos, fósforos o cenizas calientes.
14. Mantenga el cabello, ropa suelta, los dedos y cualquier otra parte del cuerpo alejados de las aberturas y de las partes móviles, como el cepillo.
15. No obstruya las aberturas del aparato con ningún objeto. No utilice el aparato si tiene alguna abertura obstruida; manténgalas libres de polvo, pelusas, cabellos o cualquier otra cosa que pueda reducir la circulación del aire.
16. Utilice solamente los accesorios y las piezas de repuesto recomendadas por Dyson.
17. Para evitar un peligro de tropiezo enrolle el cable cuando no este en uso.
18. No utilice si el compartimento cubo transparente y los filtros no están colocados en su lugar.
19. No se aleje del aparato si está conectado. Desconéctelo si no lo está usando y antes de darle servicio.
20. No utilice el cable para jalar o transportar el aparato, ni use el cable como si fuera una asa.
21. Tenga mucho cuidado cuando utilice el aparato sobre una escalera. No trabaje con el aparato por encima de usted en la escalera.
22. Apague todos los controles antes de desconectar. Desenchufe antes de conectar cualquier herramienta o accesorio.

## CONSERVE ESTAS INSTRUCCIONES

ESTE APARATO ES PARA USO DOMÉSTICO SOLAMENTE

## INSTRUCCIONES DE POLARIZACIÓN

Para disminuir el riesgo de choque eléctrico, este aparato lleva un enchufe polarizado (una clavija es más ancha que la otra). Este enchufe se conecta a una toma de corriente polarizada de una sola forma. Si el enchufe no entra totalmente en la toma de corriente, dé la vuelta al enchufe. Si sigue sin entrar bien, póngase en contacto con un electricista calificado para instalar una toma de corriente correcta. No intente violar este dispositivo de seguridad, ni haga modificación alguna al enchufe.



No tire del cable.



No guarde el aparato cerca de fuentes de calor.



No utilice el aparato cerca de una llama.



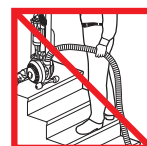
No pise el cable.



No aspire agua o líquidos.



No aspire objetos que se estén quemando.



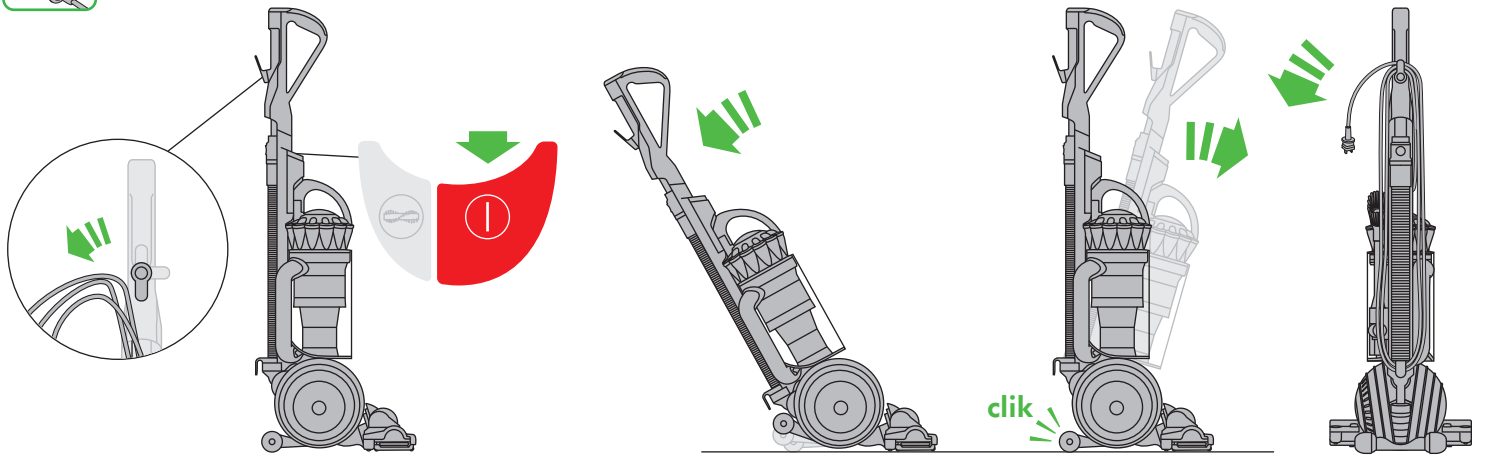
No coloque el aparato por encima suyo cuando esté en una escalera.



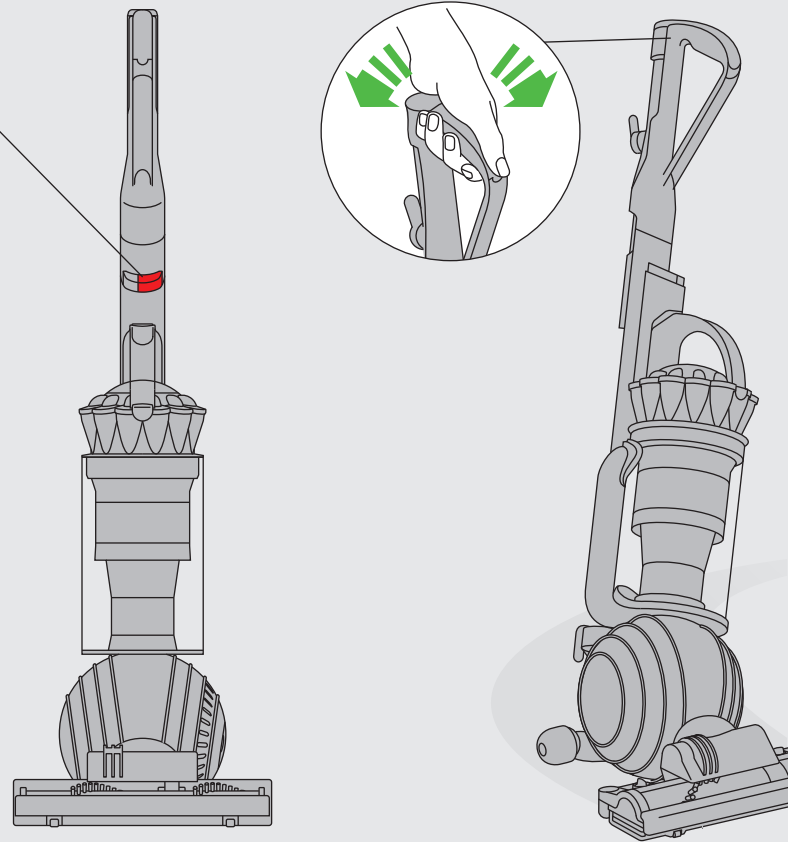
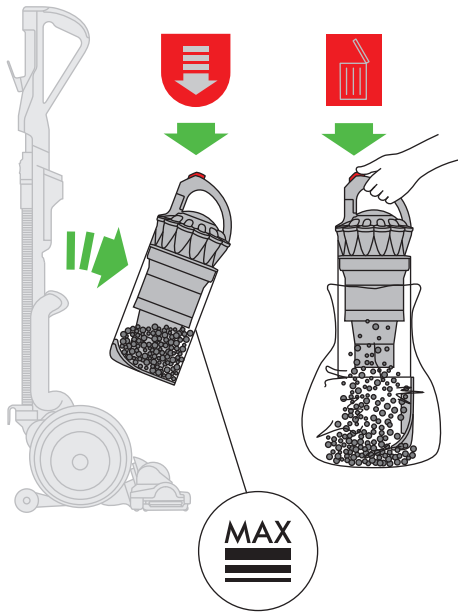
No ponga sus manos cerca del cepillo cuando esté utilizando el aparato.

Operation  
Funcionamiento

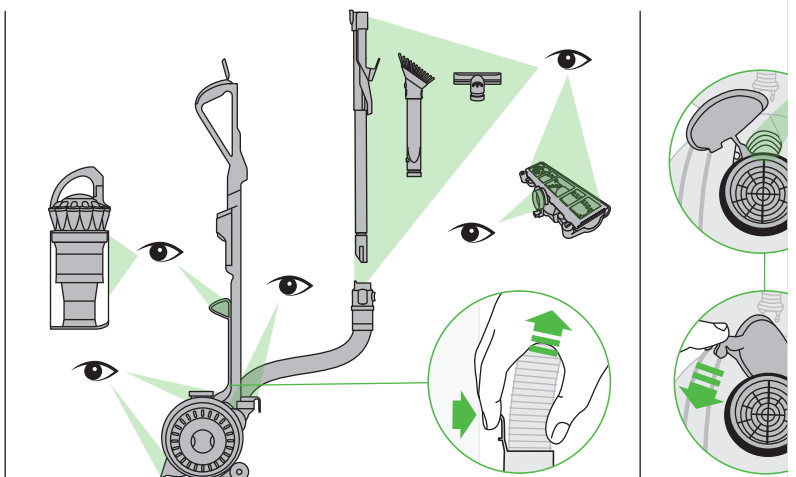
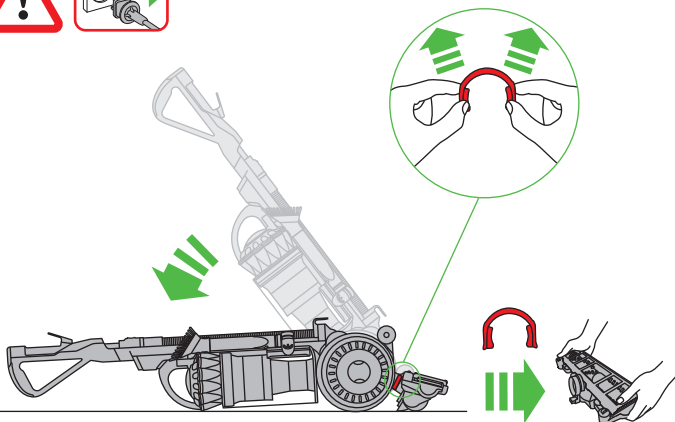
Storage  
Almacenamiento



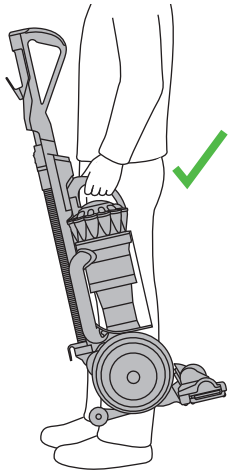
Emptying the clear bin  
Cómo vaciar el cubo transparente



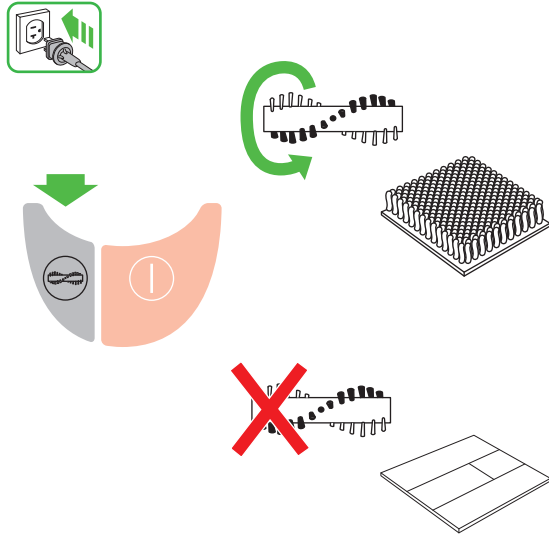
Looking for blockages  
Cómo buscar obstrucciones



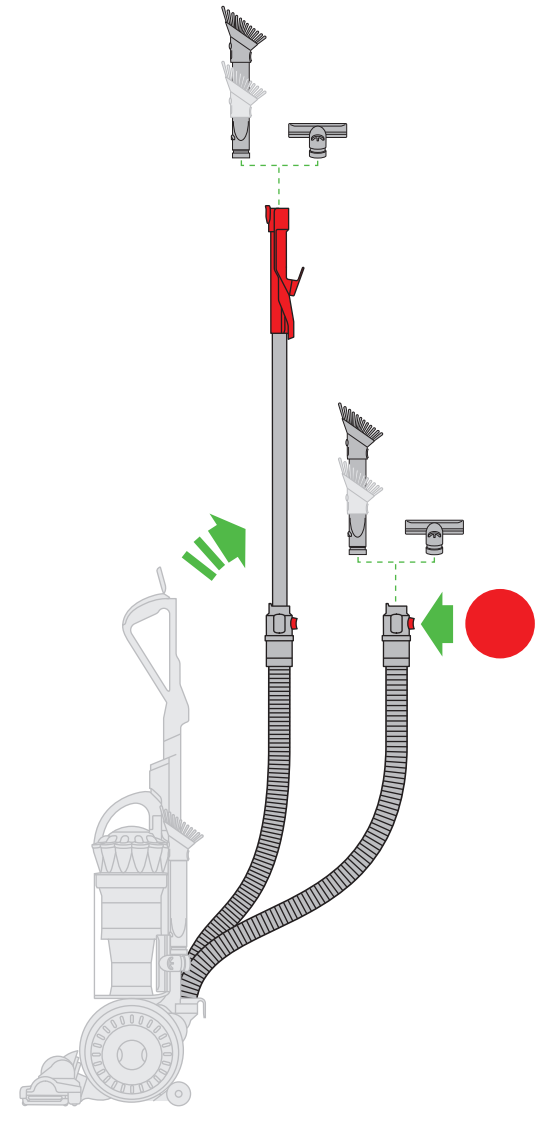
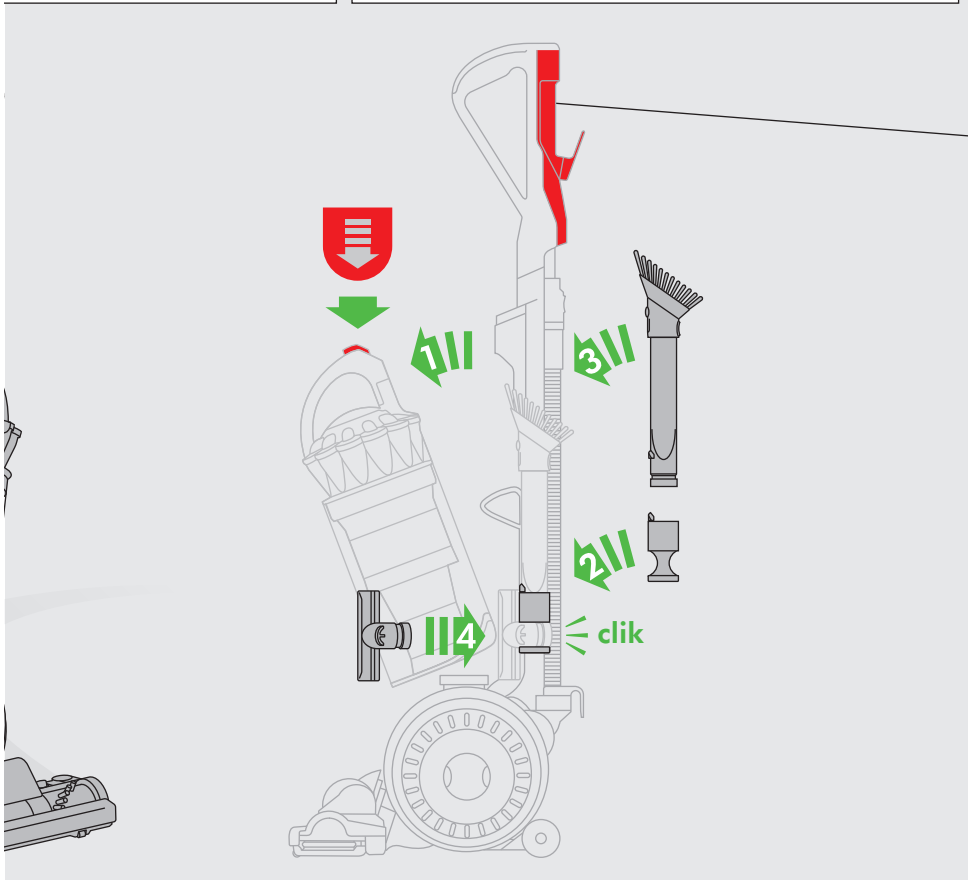
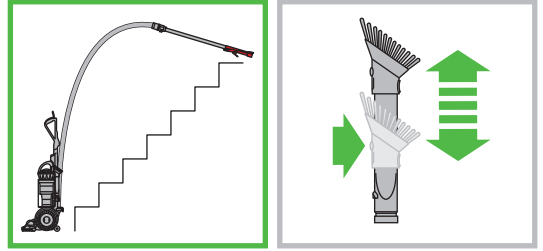
Carrying the appliance  
Para trasladar el aparato



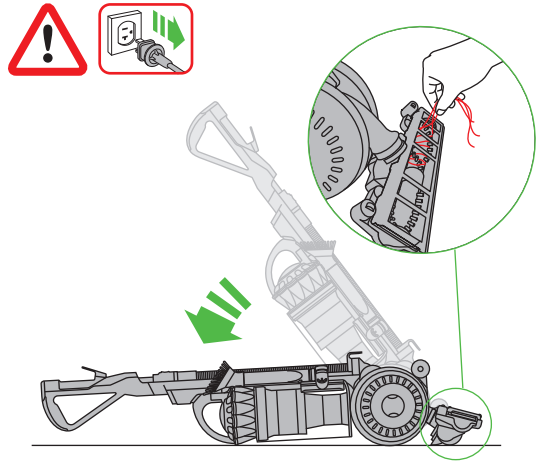
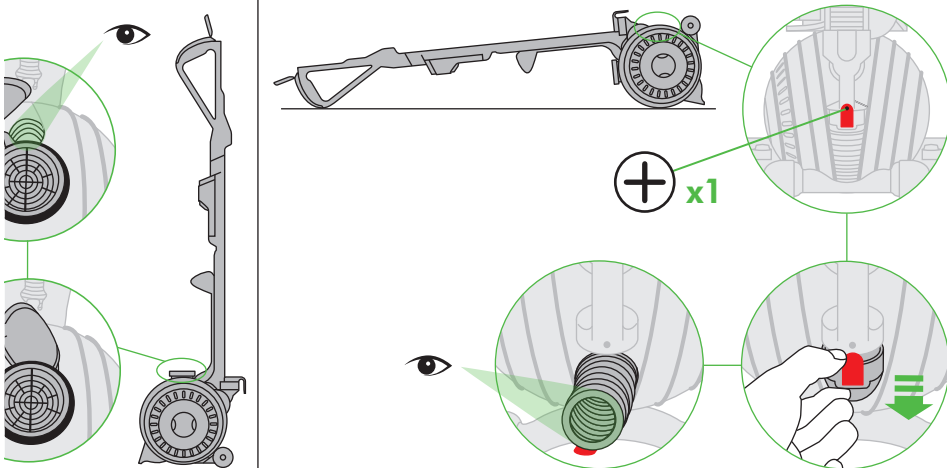
Carpets or hard floors  
Alfombras o pisos



Attachments  
Adjuntos



Brush bar – clearing obstructions  
Cepillo: para eliminar obstrucciones



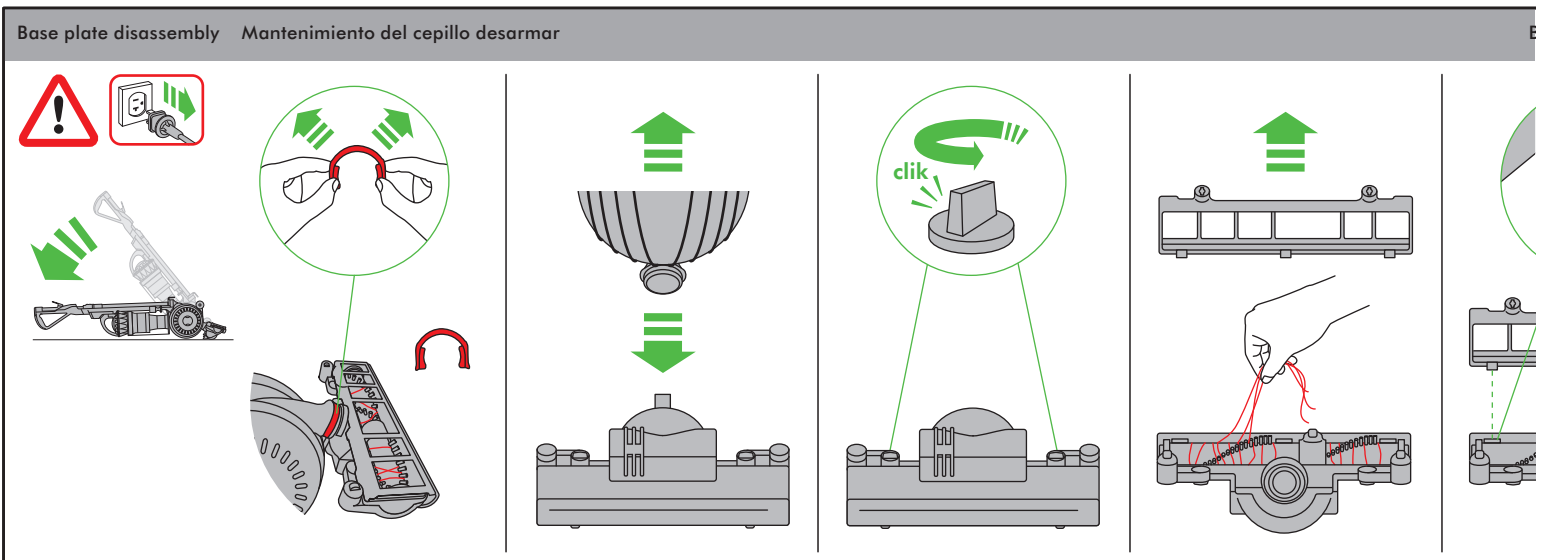
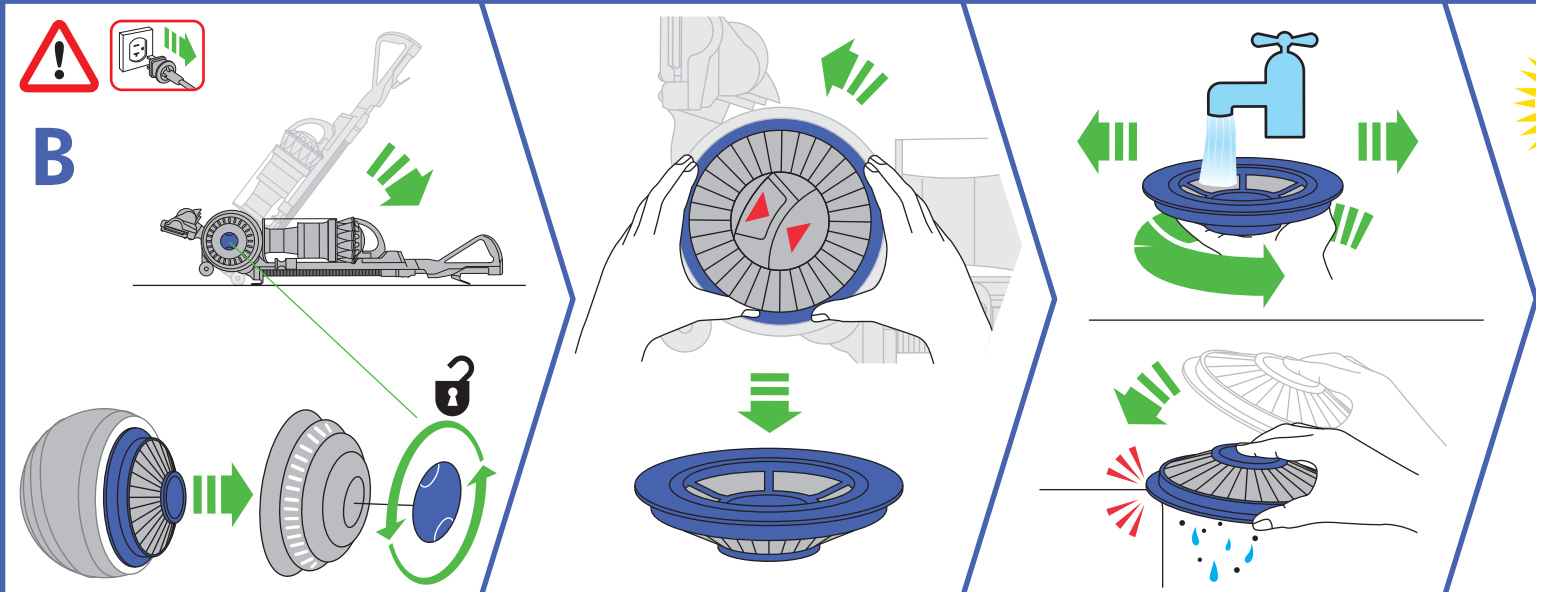
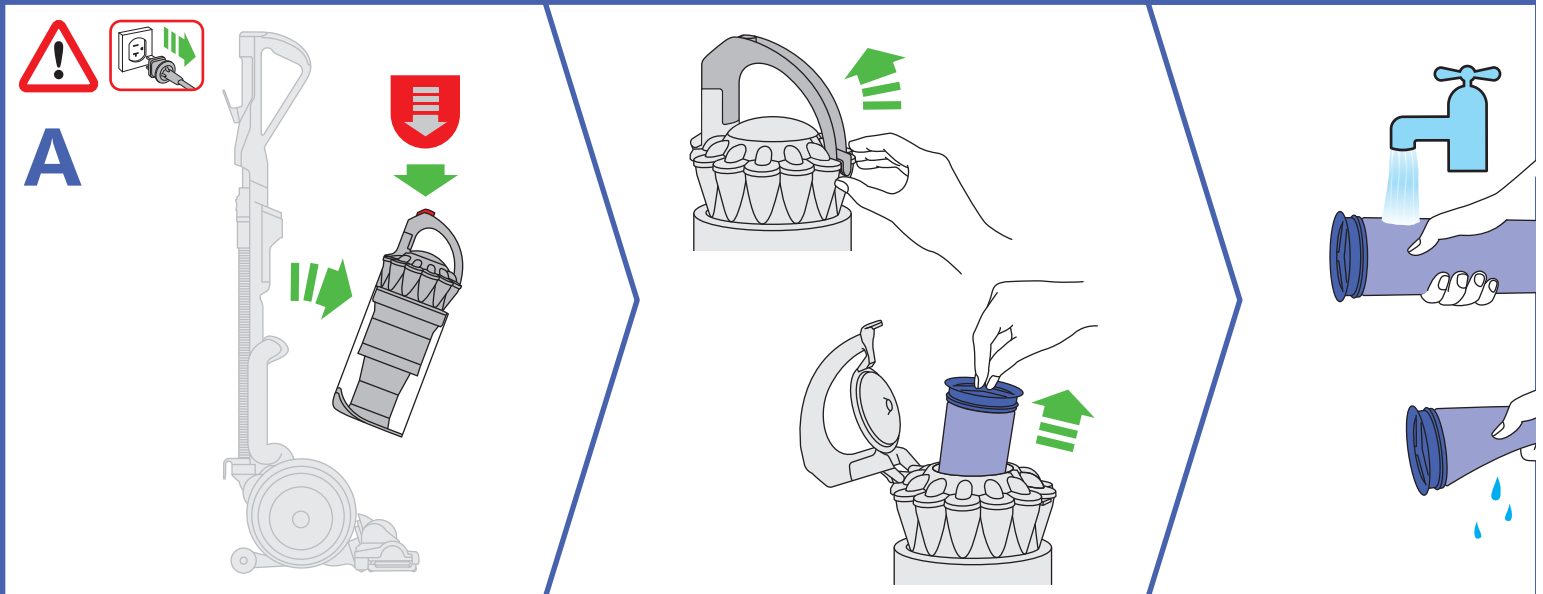


# IMPORTANT!

## WASH FILTERS

# ¡IMPORTANTE!

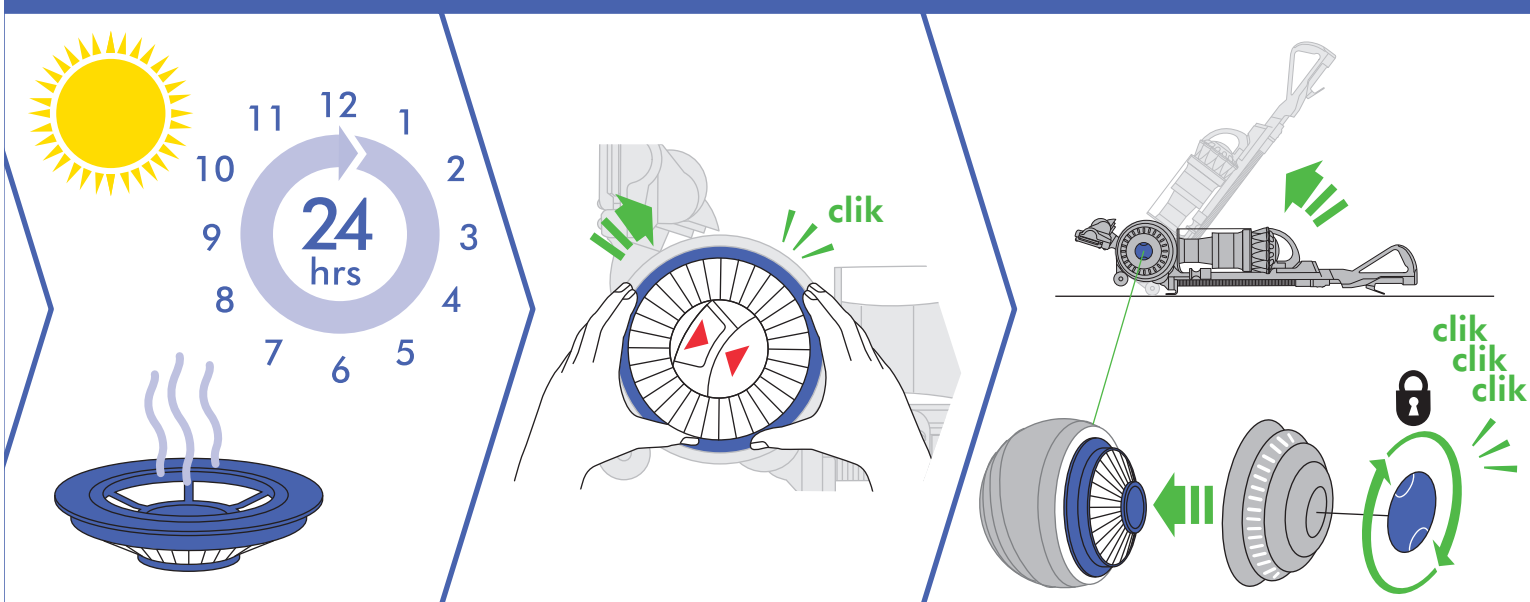
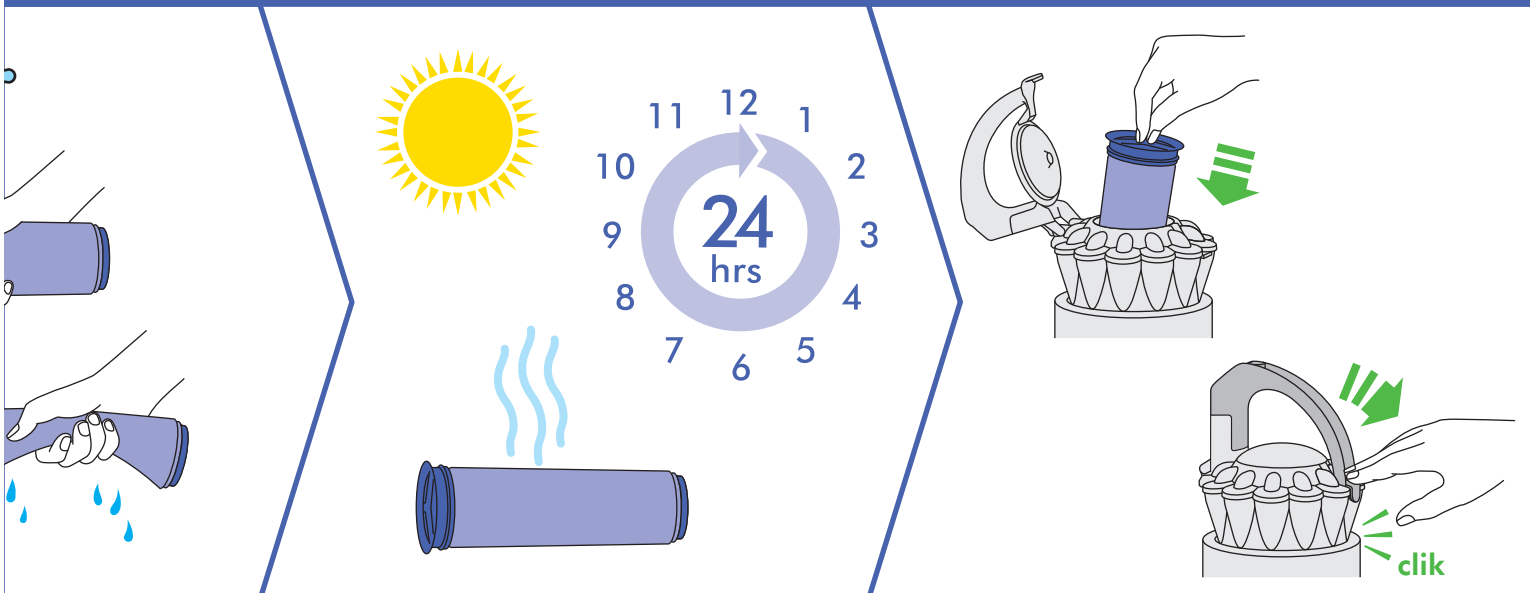
## LAVADO DE LOS FILTROS



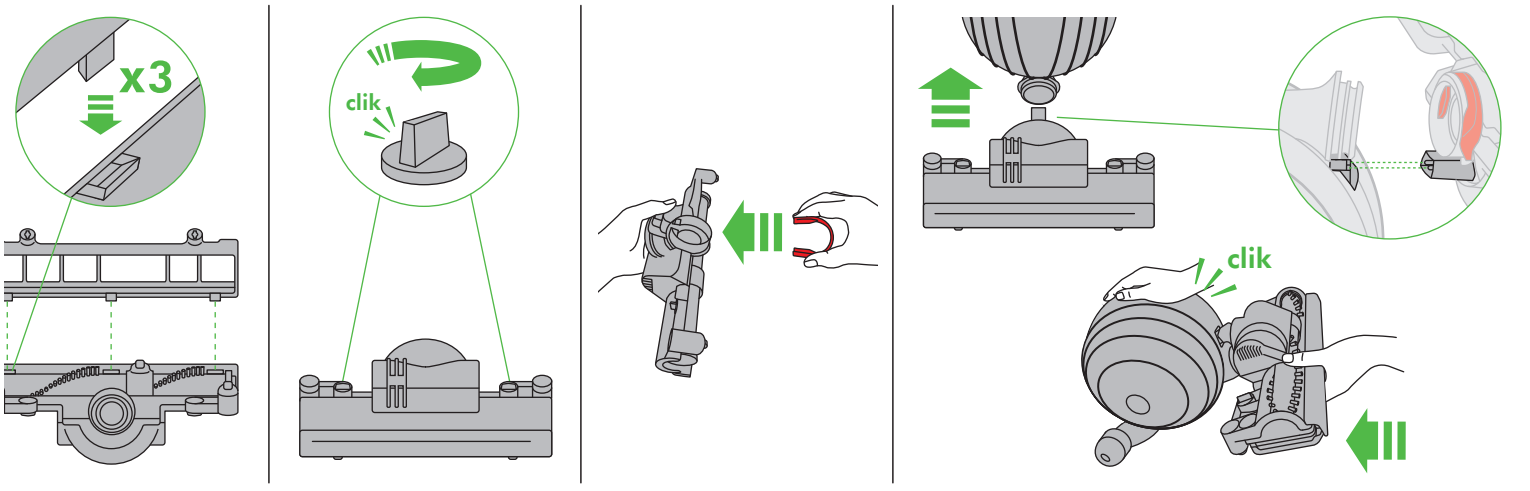


Wash filters with cold water at least every 3 months.  
The filters may require more frequent washing if vacuuming fine dust.

Lave los filtros con agua fría al menos cada 3 meses.  
Si se aspira polvo fino, será necesario lavar el filtro con mayor frecuencia.



Base plate reassembly / Mantenimiento del cepillo armar



## USING YOUR DYSON APPLIANCE

PLEASE READ THE 'IMPORTANT SAFETY INSTRUCTIONS' IN THIS DYSON OPERATING MANUAL BEFORE PROCEEDING.

### RATING PLATE

- The rating plate will be either (a) behind the clear bin or (b) on the top of the appliance above the switches, under the wand handle. Note the serial number before fitting the wand handle onto the appliance.
- If you need to gain access to the rating plate after assembling the appliance, follow these instructions:
  - open the wand cap and pull the red tube up and away from the handle
  - press in the black clip in the recess of the duct
  - pull the wand handle up and off the appliance; use a constant, firm pressure.
- Check to ensure your electricity supply corresponds to that shown on the rating plate. The appliance must only be used as rated.

### ASSEMBLY

- Lie the appliance on its back.
- Attach the cleaner head by sliding it on to the connections on the lower front part of the ball. Ensure the electrical plug on the cleaner head fits into the twin-block connection on the body of the appliance, which is directly above the airway. Push firmly: the cleaner head will click into place.
- Stand the appliance up straight.
- Attach the wand handle by sliding it on to the top of the appliance. The spring clip in the handle will click into place.
- Ensure the hose is straight. Press the red button on the hose. Slide the wand into the hose.
- Ensure the hose and wand sit in the recess of the handle. Slide the end of the wand down into the handle to secure it
- Close the wand cap.
- Slide the tool holder onto the side of the duct as shown.
- Ensure the cyclone and clear bin unit is secured to the main body of the appliance.
- Attach the tools as shown. In use, the tools can be attached to either the hose or the wand.
- Wind the cable counter-clockwise around the cable hooks. Secure with the clip.
- To watch a short online video visit: [www.dyson.com/DC65gettingstarted](http://www.dyson.com/DC65gettingstarted)

### OPERATION

- Unwind the cord.
- Plug the appliance into the mains electricity supply.
- To switch 'ON' or 'OFF' press the power button, located as shown.
- To use, recline the handle. The stabilizer stand will automatically lift up.
- After use, return the appliance to the upright position, pushing it firmly into place. The stabilizer wheels will automatically lower.
- Then: unplug the appliance, coil the cord safely, put the appliance away.
- Switch 'OFF' the appliance, unplug and ensure it is upright before:
  - changing or using tools
  - removing the hose or airway inspection parts.
- Use the cyclone carry handle to carry the appliance.

### ATTACHMENTS

- To release the wand, open the wand cap and pull the red tube up and away from the handle until it clicks into place.
- Should you wish to use the hose without the wand, follow the above instruction and press the red button to release the wand from the hose.

### CARPETS OR HARD FLOORS

- The brush bar will always default to 'ON' (spinning) each time you switch the appliance 'ON' and recline it for cleaning.
- The brush bar will not rotate when the appliance is upright.
- To switch the brush bar 'OFF' (e.g. for delicate rugs and hard floors):
  - switch the appliance 'ON'
  - recline the appliance
  - press the brush bar 'ON/OFF' button – the brush bar will stop spinning.
- The brush bar will automatically stop if it becomes obstructed. See 'Brush bar – clearing obstructions'.
- Before vacuuming your flooring, rugs and carpets, check the manufacturer's recommended cleaning instructions.
- Some carpets may fuzz if a rotating brush bar is used when vacuuming. If this happens, we recommend vacuuming in 'hard floor' mode and consulting with the flooring manufacturer.
- The brush bar on the appliance may damage some carpet types. If you are unsure, turn 'OFF' the brush bar.

### LOOKING AFTER YOUR DYSON APPLIANCE

- Do not carry out any maintenance or repair work other than that shown in this Dyson Operating Manual, or advised by the Dyson Helpline.
- Only use parts recommended by Dyson. If you do not this could invalidate your warranty.
- Store the appliance indoors. Do not use or store it below 32°F. Ensure the appliance is at room temperature before operating.
- Clean the appliance only with a dry cloth. Do not use any lubricants, cleaning agents, polishes or air fresheners on any part of the appliance.
- If used in a garage, always wipe the base plate, ball and stabilizer wheels with a dry cloth after vacuuming to clean off any sand, dirt, or pebbles that could damage delicate floors.

## VACUUMING



### CAUTION:

- Do not use without the clear bin and filters in place.
- Fine dust such as plaster dust or flour should only be vacuumed in very small amounts.
- Do not use the appliance to pick up sharp hard objects, small toys, pins, paper clips, etc. They may damage the appliance.
- When vacuuming, certain carpets may generate small static charges in the clear bin or wand. These are harmless and are not associated with the mains electricity supply. To minimize any effect from this, do not put your hand or insert any object into the clear bin unless you have first emptied it and rinsed it out with cold water (see 'Cleaning the clear bin').
- Powerful suction can cause the hose to 'pull back' – please take care.
- Do not work with the machine above you on the stairs.
- Do not put the appliance on chairs, tables, etc.
- Before vacuuming highly polished floors, such as wood or lino, first check that the underside of the floor tool and its brushes are free from foreign objects that could cause marking.
- Do not leave the cleaner head in one place on delicate floors.
- Do not use this appliance outdoors. The Dyson Car Cleaning Kit (Model 08909) is intended for use only inside a garage.

### EMPTYING THE CLEAR BIN

- Switch 'OFF' and unplug before emptying the clear bin.
- Empty as soon as the dirt reaches the level of the MAX mark – do not overfill.
- To remove the cyclone and clear bin unit, press down on the red button at the rear of the carrying handle on the cyclone.
- To release the dirt, press all the way down on the red button at the rear of the carrying handle on the cyclone.
- To minimize dust/allergen contact when emptying, encase the clear bin tightly in a plastic bag and empty.
- Remove the clear bin carefully.
- Seal the bag tightly, dispose as normal.
- To refit:
  - close the clear bin base so it clicks into place
  - push the cyclone and clear bin unit into the main body of the appliance; it will click into place
  - ensure the cyclone and clear bin unit is secure.

### CLEANING THE CLEAR BIN

- Remove the cyclone and clear bin (instructions above).
- To separate the cyclone unit from the clear bin press the red button to open the clear bin base. This exposes a small silver button behind the red opening mechanism. Press the silver button and separate the cyclone unit from the clear bin.
- Clean the clear bin with cold water only.
- Ensure the clear bin is completely dry before replacing.
- Do not use detergents, polishes or air fresheners to clean the clear bin.
- Do not put the clear bin in a dishwasher.
- Do not immerse the whole cyclone unit in water or pour water into the cyclones.
- Clean the cyclone shroud with a dry cloth or dry brush to remove lint and dust.
- To refit:
  - fit the cyclone shroud into the clear bin so that the silver button clicks and engages
  - close the clear bin base so it clicks into place
  - push the cyclone and clear bin unit into the main body of the appliance; it will click into place
  - ensure the cyclone and clear bin unit is secure.

### WASHING YOUR FILTERS

- Your appliance has two washable filters, located as shown.
- Check and wash the filters regularly according to instructions to maintain performance.
- Switch 'OFF' and unplug before checking or removing the filters.
- The filters may require more frequent washing if vacuuming fine dust.
- Wash with cold water only. Do not use detergents.
- Do not put the filters in a dishwasher, washing machine, tumble dryer, oven, microwave or near an open flame.
- To remove filter A see the 'Wash filters' section in this Dyson Operating Manual.
- After washing lay the filter on its side and leave at least 24 hours to dry completely before refitting.
- To remove filter B:
  - turn the central locking dial on the outer cover of the ball counter-clockwise until the cover is released
  - lift off the cover
  - turn the filter one-quarter counter-clockwise to release.
- Filter B should be rinsed and tapped out until the water runs clean, then tapped out again to ensure all excess water is removed. Leave to dry completely for 24 hours.
- It is normal for the filter in the ball to turn grey in color.
- To refit filter B:
  - refit the filter on to the ball
  - secure the filter by turning it one-quarter turn clockwise.
- When refitting the outer cover of the ball, keep turning the central locking dial clockwise. When it starts to click it is locked.
- To watch a short online video visit: [www.dyson.com/DC65filterwash](http://www.dyson.com/DC65filterwash)



## LOOKING FOR BLOCKAGES

- Switch 'OFF' and unplug before looking for blockages. Failure to do so could result in personal injury.
- Look for blockages in the wand, airways and cleaner head.
- To remove the base plate to access an obstruction, see 'Base plate – disassembly/reassembly'.
- To look for blockages in the airway between the ball and the cleaner head you will need to remove the cleaner head: see 'Base plate – disassembly/reassembly'.
- Beware of sharp objects when checking for blockages.
- Refit all parts securely before using.
- Clearing blockages is not covered by your guarantee.

## CLEARING BLOCKAGES – THERMAL CUT-OUT

- This appliance is fitted with an automatically resetting thermal cut-out.
- Large items may block the tools or wand inlet. If any part becomes blocked the appliance may overheat and automatically cut-out.
- Switch 'OFF' and unplug. Leave to cool down for 1-2 hours before checking filters or for blockages.
- Clearing brush bar obstructions is not covered by your warranty.

## BRUSH BAR – CLEARING OBSTRUCTIONS

- If your brush bar is obstructed, it may shut off. If this happens, you will need to remove the blockage.
- Switch 'OFF' and unplug before proceeding. Failure to do so could result in personal injury.
- Beware of sharp objects when clearing obstructions.
- If you still cannot clear the obstruction, please follow the instructions below to remove the base plate. This gives more access to the obstruction. Alternatively, contact a Dyson expert on the Dyson Helpline or visit the website. Clearing brush bar obstructions is not covered by your warranty.

## BASE PLATE - DISASSEMBLY/REASSEMBLY

- Switch 'OFF' and unplug before proceeding. Failure to do so could result in personal injury.
- Lie the appliance on its front.
- Detach the red 'C' clip which is on the connection between the cleaner head and the appliance. It is quite firm, but do not pull it off roughly. Use a constant, firm pressure.
- Pull the cleaner head away from the appliance. Use a constant, firm pressure.
- On the cleaner head are two dials: turn each a quarter-turn counter-clockwise until it clicks.  
Put the cleaner head onto its back:
  - lift up the top edge of the base plate, so it rotates to the upright position
  - lift out.
- Beware of sharp objects when clearing obstructions.
- To refit the base plate:
  - fit the 3 lugs on the lower edge of the base plate into the 3 slots in the base of the cleaner head
  - swing the upper edge of the base plate down; it will click into place.
- To secure the base plate:
  - press the base plate close to the cleaner head
  - secure the first dial by turning it a quarter-turn clockwise until it clicks and engages
  - repeat with the second dial.
- Refit the red 'C' clip onto the cleaner head. The flatter edge of the clip fits against the cleaner head. It is easier to slide one lug into its slot before the other.
- Lie the appliance on its back.
- Attach the cleaner head by sliding it on to the connections on the lower front part of the ball. Ensure the electrical plug on the cleaner head fits into the twin-block connection on the body of the appliance, which is directly above the airway. Push firmly: the cleaner head will click into place.

## BRUSH BAR – TROUBLESHOOTING

- If the brush bar has stopped spinning, follow the instructions above on clearing obstructions. Alternatively, contact a Dyson expert on the Dyson Helpline or visit the website.
- To watch a short online video visit: [www.dyson.com/DC41brushbarmaintenance](http://www.dyson.com/DC41brushbarmaintenance)

## DYSON CUSTOMER CARE

### THANK YOU FOR CHOOSING TO BUY A DYSON APPLIANCE

If you have a question about your Dyson appliance, call the Dyson Helpline with your serial number and details of where and when you bought the appliance. Most questions can be solved over the phone by one of our Dyson Helpline staff. If your appliance needs service, call the Dyson Helpline so we can discuss the available options. If your Dyson appliance is under warranty, and it is a covered repair, it will be repaired at no cost. The rating plate is on the top of the appliance above the switches, under the wand handle.

## PLEASE REGISTER AS A DYSON APPLIANCE OWNER

To help us ensure you receive prompt and efficient service, please register as a Dyson appliance owner. There are three ways to do this:

- Online at [www.dyson.com](http://www.dyson.com)
  - Telephone the Dyson Helpline, 1-866-277-4649.
  - Complete the enclosed Warranty Form and post it to us.
- This will confirm ownership of your Dyson appliance in the event of an insurance loss, and enable us to contact you if necessary.

## 5 YEAR WARRANTY

### TERMS AND CONDITIONS OF THE DYSON 5 YEAR LIMITED WARRANTY.

## WHAT IS COVERED

Your Dyson appliance is warranted against original defects in material and workmanship for a period of five years from the date of purchase, when used for private household purposes in accordance with the Dyson Operating Manual. This warranty provides, at no extra cost to you, all labor and parts necessary to ensure your appliance is in proper operating condition during the warranty period. This limited warranty is subject to the following terms:

## WHAT IS NOT COVERED

Dyson, Inc. shall not be liable for costs, damages or repairs incurred as a result of:

- Appliances purchased from an unauthorized dealer.
- Careless operation or handling, misuse, abuse and/or lack of maintenance or use not in accordance with the Dyson Operating Manual.
- Use of the appliance other than for normal domestic purposes within the United States, e.g. for commercial or rental purposes.
- Use of parts not in accordance with the Dyson Operating Manual.
- Use of parts and accessories other than those produced or recommended by Dyson, Inc.
- External sources such as weather.
- Repairs or alterations carried out by unauthorized parties or agents.
- Clearing blockages from your vacuum.
- Normal wear and tear, including normal wearing parts, such as clear bin, belt, filter, brush bar, hose assembly and power cord (or where external damage or abuse is diagnosed), carpet or floor damage due to use not in accordance with manufacturer's instructions or failure to turn the brush bar off when necessary.

## WARRANTY SERVICE

- Please fill out and return the Warranty Form, or register online at [www.dyson.com](http://www.dyson.com)
- Before service can take place, the terms of the limited warranty require that you contact the Dyson Helpline with your model name/number, serial number, date and place of purchase.
- Please keep your purchase receipt in a safe place to ensure you have this information.
- All work will be carried out by Dyson, Inc. or its authorized agents.
- Any replaced defective parts will become the property of Dyson, Inc.
- Service under this warranty will not extend the period of this warranty.
- If your appliance is not functioning properly, please call the Dyson Helpline. Most issues can be rectified over the telephone by our trained Customer Care staff. If this is not possible Dyson, Inc. will arrange for your appliance to be repaired and returned in full working order at no extra cost to yourself.

## WARRANTY LIMITATION AND EXCLUSIONS

- Any implied warranties relating to your appliance including but not limited to warranty of merchantability or warranty of fitness for a particular purpose, are limited to the duration of this warranty. This limitation is not allowed by some States and so this limitation may not apply to you.
- Your remedy for breach of this warranty is limited to the warranty service described above. Dyson, Inc. will not be liable for any consequential damages or incidental damages you may incur in connection with your purchase and use of your appliance. This limitation is not allowed by some States and so this limitation may not apply to you.
- This limited warranty gives you specific legal rights. You may also have other rights which vary by State.
- This limited warranty is not transferable.

## IMPORTANT DATA PROTECTION INFORMATION

Your details will be held by Dyson, Inc. or others on behalf of Dyson, Inc. so that we can assist you more quickly in our Customer Service department. From time to time, Dyson, Inc. may send you special offers and news of our latest innovations. Check the box on the Warranty Form within the Operating Manual if you do not wish to receive marketing or promotional information from Dyson, Inc. For more information about our data collection practices, please refer to the Dyson, Inc. privacy policy at [www.dyson.com/privacy](http://www.dyson.com/privacy)

## DISPOSAL INFORMATION

Dyson products are made from high grade recyclable materials and so should not be treated as household waste. To protect the environment please dispose of this product responsibly and recycle where possible.

## PRODUCT INFORMATION

Please note: Small details may vary from those shown.

## USO DE SU APARATO DYSON

ANTES DE CONTINUAR, SÍRVASE LEER LAS "INSTRUCCIONES DE SEGURIDAD IMPORTANTES" DE ESTE MANUAL DE FUNCIONAMIENTO DYSON.

### LA PLACA DE ESPECIFICACIONES

- La placa de especificaciones se encuentra (a) detrás del compartimiento transparente o (b) en la parte superior del aparato, arriba de los interruptores, debajo de la manija del tubo. Anote el número de serie antes de ajustar el mango del tubo al aparato.
- Si necesita tener acceso a la placa de especificaciones después de ensamblar el aparato, siga estas instrucciones:
  - abra la tapa del tubo y jale hacia arriba el tubo rojo para separarlo del mango
  - presione el broche negro en la ranura del conducto
  - jale el mango del tubo hacia arriba para desprenderlo del aparato; ejerza una presión constante y firme.
- Compruebe que la corriente eléctrica corresponde a la que se indica en la placa de especificaciones. El aparato sólo debe utilizarse conforme a las especificaciones.

### ARMADO

- Coloque el aparato en posición horizontal.
- Fije el cabezal de la aspiradora deslizándolo sobre las conexiones de la parte delantera inferior de la esfera giratoria. Compruebe que el enchufe eléctrico del cabezal se ajusta en la conexión de bloque doble en el cuerpo del aparato, que está directamente arriba del conducto de ventilación. Empuje con firmeza: el cabezal emitirá un chasquido al ajustarse en su lugar.
- Coloque el aparato en posición vertical.
- Fije la manija del tubo deslizándola en la parte superior del aparato. La presilla de la manija emitirá un chasquido al ajustarse en su lugar.
- Compruebe que la manguera está recta. Presione el botón en la manguera. Inserte el tubo en la manguera.
- Compruebe que la manguera y la varilla se asientan en el hueco de la manija. Deslice el extremo de la varilla hacia abajo en la manija para asegurarla.
- Cierre la tapa del tubo.
- Deslice el portaherramientas sobre el lateral del conducto, como se muestra.
- Compruebe que la unidad de extractor de polvo y cubo transparente está sujeta al cuerpo principal del aparato.
- Fije los accesorios según se ilustra, éstos se pueden fijar a la manguera o al tubo.
- Enrolle el cable en sentido opuesto al movimiento de las manecillas del reloj, alrededor de los ganchos especiales para el cable. Sujételo con el broche.
- Para ver un breve vídeo en línea, visite: [www.dyson.com/DC65gettingstarted](http://www.dyson.com/DC65gettingstarted)

### FUNCIONAMIENTO

- Desenrolle el cable.
- Conecte el aparato al suministro de corriente eléctrica.
- Para encender o apagar el aparato, presione el botón de encendido, localizado en el lugar que se ilustra.
- Para utilizarlo, recline el mango. El soporte estabilizador se elevará automáticamente.
- Después de utilizarlo, regrese el aparato a la posición vertical, empujando con firmeza para que quede en su lugar. Las ruedas estabilizadoras descenderán automáticamente.
- Luego: desconecte el aparato, enrolle el cable de manera segura, guarde el aparato.
- Apague el aparato, desconéctela y colóquela en posición vertical antes de:
  - cambiar o usar accesorios
  - quitar la manguera o las piezas para inspeccionar el paso del aire.
- Utilice la manija del extractor de polvo para trasladar el aparato.

### ADJUNTOS

- Para liberar el tubo, abra la tapa del tubo y jale hacia arriba el tubo rojo para separarlo del mango.
- Extraiga el tubo de la manguera hasta escuchar un chasquido que indica que está en su lugar.

### ALFOMBRAS O PISOS

- El cepillo está siempre activo (girando) en modo predeterminado, cada vez que usted enciende el aparato y la reclina para efectuar la limpieza.
- El cepillo no gira si el aparato está en posición vertical.
- Para apagar el cepillo (por ejemplo, por ejemplo, al limpiar pisos o alfombras delicadas):
  - encienda el aparato
  - recline el aparato
  - presione el botón de encendido-apagado del cepillo, éste dejará de girar.
- El cepillo deja de funcionar automáticamente si se produce una obstrucción. Consulte "Cepillo: para eliminar obstrucciones".
- Antes de aspirar sus pisos, tapetes y alfombras, consulte las instrucciones de limpieza que recomienda el fabricante.
- Algunas alfombras pueden soltar pelusa si se emplea un cepillo giratorio al aspirar. Si esto ocurre, recomendamos que aspire en el modo de "piso expuesto" y consulte al fabricante del piso.
- El cepillo de este aparato puede dañar ciertos tipos de alfombras. Si desconfía, desactive el cepillo.

## CÓMO CUIDAR SU APARATO DYSON

- No efectúe ningún mantenimiento o reparación distintos a los que se ilustran en este Manual de Funcionamiento Dyson, o que se le sugiera en la línea de ayuda de Dyson.
- Utilice únicamente las piezas que recomienda Dyson. De no hacerlo podría anular su garantía.
- Almacene el aparato en un espacio cerrado. No lo utilice si la temperatura es menor de 32° F. Compruebe que el aparato está a temperatura ambiente antes de ponerlo en funcionamiento.
- Limpie el aparato únicamente con un paño seco. No utilice ningún lubricante, agente de limpieza, pulidor o aromatizador en ninguna parte del aparato.
- Si se utiliza en una cochera, limpie siempre la placa base, la esfera giratoria y las ruedas estabilizadoras con un paño seco luego de aspirar para limpiar arena, residuos o grava que puedan dañar pisos delicados.

### PARA ASPIRAR



#### PRECAUCIONES

- No lo utilice si el compartimiento cubo transparente y los filtros no están colocados en su lugar.
- Sólo deben aspirarse cantidades pequeñas de polvo fino como por ejemplo residuos de yeso o harina.
- No utilice el aparato para recoger objetos duros cortantes, juguetes pequeños, alfileres, sujetapapeles, etc., ya que podrían dañar el aparato.
- Al aspirar, algunas alfombras se pueden generar pequeñas descargas de estática en el cubo transparente o en el tubo. Éstas son totalmente inofensivas y no están asociadas al suministro de corriente eléctrica. Para minimizar sus efectos, no coloque su mano ni introduzca ningún objeto en el cubo transparente, a menos que primero lo haya vaciado y lavado con agua fría.
- Si el aparato aspira a la máxima potencia, la manguera puede retraerse. Tenga mucho cuidado.
- No trabaje si el aparato está arriba de usted en las escaleras.
- No suba el aparato a sillas, mesas, etc.
- Antes de aspirar pisos con alto grado de pulido, como los de madera o linóleo, verifique primero que el lado inferior del accesorio para pisos y sus cepillos no tienen objetos extraños que puedan producir marcas.
- No deje el cabezal de la aspiradora en un solo lugar si está sobre pisos delicados.
- No utilice este aparato a la intemperie. El Kit de limpieza para el coche Dyson (Modelo 08909) sólo se puede utilizar dentro de una cochera.

### CÓMO VACIAR EL CUBO TRANSPARENTE

- Apague y desconecte el aparato antes de vaciar el cubo transparente.
- Vacíe el compartimiento cuando la basura llegue al nivel máximo. Evite sobrecargarlo.
- Para quitar la unidad de extractor de polvo y cubo transparente, presione el botón rojo que se encuentra en la parte trasera de manija del extractor de polvo.
- Para descargar la suciedad, presione completamente hasta abajo el botón rojo que se encuentra en la parte trasera de manija del extractor de polvo.
- Para minimizar el contacto con polvo/alérgenos al efectuar el vaciado, introduzca el cubo transparente en una bolsa de plástico y vacíe el contenido.
- Extraiga con cuidado el cubo transparente.
- Selle perfectamente la bolsa, elimínela como acostumbra hacerlo.
- Para reajustar:
  - cierre la base del cubo transparente hasta que emita un chasquido al ajustarse
  - empuje la unidad de extractor de polvo y cubo transparente en el cuerpo principal del aparato; se escuchará un chasquido cuando se asiente en su lugar
  - compruebe que la unidad de extractor de polvo y cubo transparente esté bien sujeta.

### CÓMO LIMPIAR EL CUBO TRANSPARENTE

- Quite el extractor de polvo y el cubo transparente (conforme a las instrucciones que anteceden).
- Para separar el extractor de polvo del cubo transparente presione el botón rojo para abrir la base del cubo. Esto revela un botón plateado pequeño situado detrás del mecanismo rojo de apertura. Presione el botón plateado y desprenda la unidad del extractor de polvo del cubo transparente.
- Lave el compartimiento cubo transparente únicamente con agua fría.
- Asegúrese de que el compartimiento esté totalmente seco antes de colocarlo.
- No utilice detergente, líquido para encerar ni desodorante de ambientes para limpiar el compartimiento.
- No limpie el compartimiento en un lavavajillas.
- No sumerja totalmente el extractor de polvo en agua ni ponga agua dentro de éste.
- Limpie la rejilla con un paño seco un cepillo seco para eliminar la pelusa y el polvo.
- Para reajustar:
  - ajuste la tapa del extractor de polvo en el cubo transparente, de manera que el botón plateado emita un chasquido al acoplarse
  - cierre la base del cubo transparente hasta que escuche un chasquido cuando se ajuste en su lugar
  - empuje la unidad de extractor de polvo y cubo transparente en el cuerpo principal del aparato; se escuchará un chasquido cuando se asiente en su lugar
  - compruebe que la unidad de extractor de polvo y cubo transparente esté bien fija.

## CÓMO LAVAR LOS FILTROS

- Este aparato tiene dos filtros, ubicados como se muestra en las ilustraciones.
- Revise y lave los filtros con periodicidad, conforme a las instrucciones, para mantener el rendimiento.
- Apague el aparato y desconéctelo antes de quitar los filtros.
- Si se aspira polvo fino, será necesario lavar los filtros con mayor frecuencia.
- Lave únicamente con agua fría. No utilice detergentes.
- No coloque los filtros en el lavavajillas, el lavavajillas, la secadora, el horno, el microondas o cerca del fuego.
- Para quitar el filtro A, consulte la sección "Para lavar los filtros" de este Manual de Funcionamiento Dyson.
- Después de lavarlo, extienda el filtro sobre su costado y déjelo secar completamente al menos durante 24 horas antes de reajustarlo.
- Para quitar el filtro B:
  - gire el selector central de bloqueo en la cubierta externa de la esfera giratoria en sentido opuesto a las manecillas del reloj hasta que la cubierta se libere
  - desprenda la cubierta
  - gire el filtro un cuarto de vuelta en sentido opuesto a las manecillas del reloj para liberarlo.
- El filtro B se debe lavar y golpear levemente hasta que fluya agua limpia, luego golpee levemente otra vez para comprobar que haya desaparecido todo exceso de agua. Déjelo secar completamente durante 24 horas.
- Es normal que el filtro que se encuentra en la parte inferior se vuelva de color gris.
- Para reajustar el filtro B:
  - reajuste el filtro en la esfera giratoria
  - fíjelo girando un cuarto de vuelta en el sentido de las manecillas del reloj.
- Cuando reajuste la cubierta exterior de la esfera giratoria, siga girando el selector central de bloqueo en el sentido de las manecillas del reloj. Cuando comience a emitir chasquidos, quedará bloqueada.
- Para ver un breve vídeo en línea, visite: [www.dyson.com/DC65filterwash](http://www.dyson.com/DC65filterwash)

## CÓMO BUSCAR OBSTRUCCIONES

- Apague y desconecte antes de buscar obstrucciones. Si no lo hace, podría sufrir lesiones.
- Inspeccione el tubo, los conductos de aire y el cabezal de la aspiradora en busca de obstrucciones.
- Para quitar la placa base y poder tener acceso a la obstrucción, consulte "Placa base – desmontaje/reinstalación".
- Para inspeccionar posibles obstrucciones en el conducto de aire entre la esfera y la aspiradora, tendrá que desmontar el cabezal de la aspiradora: para hacerlo, consulte "Placa base – desmontaje/reinstalación", a continuación.
- Tenga cuidado con los objetos filosos cuando inspeccione las obstrucciones.
- Reinstale todas las partes correctamente antes de utilizarlo.
- Su garantía limitada no cubre la eliminación de obstrucciones.

## PARA ELIMINAR BLOQUEOS: SISTEMA DE DESCONEJÓN TÉRMICA

- Este aparato posee un sistema de desconexión térmica.
- Los objetos grandes pueden obstruir los accesorios o la entrada del tubo. Si se produce una obstrucción en cualquier parte, el aparato se puede sobrecalentar y desconectarse automáticamente.
- Apague y desconecte. Permita que se enfríe durante 1-2 horas antes de inspeccionar los filtros en busca de obstrucciones.
- Elimine cualquier obstrucción antes de reiniciar el funcionamiento.
- Su garantía limitada no cubre la eliminación de obstrucciones.

## CEPILLO: PARA ELIMINAR OBSTRUCCIONES

- Si la se obstruye el cepillo, se puede apagar. Si esto ocurre, necesitará eliminar el bloqueo.
- Apague y desconecte antes de proceder. Si no lo hace, podría sufrir lesiones.
- Tenga cuidado con los objetos filosos cuando elimine las obstrucciones.
- Si no puede liberar la obstrucción, siga las instrucciones que se indican a continuación para quitar la placa base. Esto permitirá mayor acceso a la obstrucción. De forma alternativa, contacte a un experto de Dyson en la Línea Directa de Asistencia al Cliente de Dyson o visite el sitio web. La limpieza de obstrucciones del cepillo no tiene cobertura de garantía.

## PLACA BASE – DESMONTAJE/REINSTALACIÓN

- Apague y desconecte antes de proceder. Si no lo hace, podría sufrir lesiones.
- Recueste el aparato sobre su parte delantera.
- Desprenda el broche rojo en 'C' que se encuentra en la conexión entre el cabezal de la aspiradora y el aparato. Está fijo con firmeza, pero no lo jale con demasiada fuerza. Ejercer una presión constante y firme.
- Extraiga el cabezal de la aspiradora del aparato. Ejercer una presión constante y firme.
- En el cabezal tiene dos selectores: gire cada uno un cuarto de vuelta en sentido contrario a las manecillas del reloj hasta que emitan un chasquido. Coloque el cabezal sobre su parte trasera:
  - levante el borde superior de la placa base, de manera que se abata a la posición vertical
  - extráigala.
- Tenga cuidado con los objetos filosos cuando elimine las obstrucciones.
- Para reajustar la placa base:
  - ajuste las 3 orejetas del borde inferior de la placa base en las 3 ranuras de la base del cabezal de la aspiradora
  - abata hacia abajo el borde superior de la placa base; se escuchará un chasquido cuando se asiente en su lugar.
- Para fijar la placa base:
  - presiónela contra el cabezal de la aspiradora
  - fíje el primer selector girándolo un cuarto de vuelta en el sentido de las manecillas del reloj hasta que emita un chasquido y se acople
  - repita lo mismo con el segundo selector.
- Reajuste el broche rojo en 'C' en el cabezal de la aspiradora. El borde más plano del broche se ajusta contra el cabezal. Es más fácil deslizar las orejetas una por una.
- Recueste el aparato sobre su parte trasera.

- Fije el cabezal de la aspiradora deslizándolo sobre las conexiones de la parte delantera inferior de la esfera giratoria. Compruebe que la conexión eléctrica del cabezal se ajusta en la conexión de bloque doble del cuerpo del aparato, la cual se encuentra directamente arriba del conducto de ventilación. Empuje con firmeza: el cabezal emitirá un chasquido al ajustarse en su lugar.
- Para ver un breve vídeo en línea, visite: [www.dyson.com/DC65brushbarmaintenance](http://www.dyson.com/DC65brushbarmaintenance)

## REPARACIÓN DE AVERÍAS DE LA BARRA DE CEPILLO

- Si el cepillo ha dejado de girar, siga las instrucciones anteriores para eliminar obstrucciones. Alternativamente, comuníquese con un experto de Dyson a la línea de ayuda de Dyson o visite el sitio web.

## SERVICIO DE ATENCIÓN AL CLIENTE DYSON

### GRACIAS POR ELEGIR COMPRAR UN APARATO DYSON

Si tiene alguna duda acerca de su aparato Dyson, llame a la línea de ayuda de Dyson con el número de serie e información de cuándo y dónde compró el producto.

Si tiene más preguntas, puede consultar por teléfono a algún miembro de la línea de ayuda.

Si su aparato necesita reparación llame a la Línea de ayuda de Dyson para poder analizar las opciones disponibles. Si su aparato tiene garantía y la reparación necesaria está incluida dentro de esa garantía, se reparará sin costo alguno.

La placa de especificaciones se encuentra en la parte superior del aparato, arriba de los interruptores y debajo de la mango del tubo.

## POR FAVOR REGÍSTRESE COMO PROPIETARIO DE UN APARATO DYSON

Para ayudarnos a asegurarle que reciba un servicio rápido y eficaz, por favor regístrese como propietario de un aparato Dyson. Hay dos maneras de hacerlo:

- En línea en [www.dyson.com](http://www.dyson.com)
- Llamando por teléfono a la Línea de ayuda de Dyson, 1-866-277-4649.
- Enviando por correo el formulario de garantía que se anexa, dirigido a nuestra dirección.

Esto confirmará que el aparato Dyson es de su propiedad en caso de que ocurra una pérdida cubierta por el seguro, y nos permitirá contactarle si fuese necesario.

## 5 AÑOS DE GARANTÍA

### TÉRMINOS Y CONDICIONES DE LA GARANTÍA LIMITADA DE 5 AÑOS DE DYSON.

## QUÉ ESTÁ CUBIERTO

Su aparato Dyson está garantizado contra defectos originales de material o mano de obra por un período de cinco años a partir de la fecha de compra, cuando se utilice para fines domésticos privados y de acuerdo con el Manual de Instrucciones de Dyson. Esta garantía proporciona, sin costo para usted, toda la mano de obra y piezas para poner su aparato en perfectas condiciones de funcionamiento durante el plazo de garantía. Esta garantía está sujeta a los siguientes términos:

## QUÉ NO ESTÁ CUBIERTO

- Dyson, Inc. no será responsable de los costos incurridos como resultado de:
- Aparatos comprados a proveedores no autorizados.
- El funcionamiento o manejo descuidado, uso indebido y/o falta de mantenimiento o el uso de forma contraria al Manual de Instrucciones de Dyson.
- El uso del aparato contrario a los usos domésticos normales dentro de los Estados Unidos de América, por ejemplo, para el uso comercial o alquiler.
- El uso de piezas que no estén contempladas en el Manual de Instrucciones de Dyson.
- El uso de piezas y accesorios que no sean los producidos o recomendados por Dyson, Inc.
- Factores externos, como por ejemplo el clima.
- Reparaciones o alteraciones llevadas a cabo por partes o agentes no autorizados.
- Eliminar obstrucciones de su máquina.
- Uso y desgaste normal, incluido desgaste normal de partes como cubo transparente banda, filtro, cepillo, ensamble de la manguera, y cable de corriente (o donde se diagnostique daño o abuso externo), daño a la alfombra o piso debido al uso no de acuerdo con las instrucciones del fabricante dado al caso de no apagar el cepillo cuando es necesario.

## SERVICIO DE GARANTÍA

- Por favor complete y devuelva el Formulario de registro del producto, o regístrese en línea en [www.dyson.com](http://www.dyson.com)
- Antes de poder realizar el servicio, los términos de la garantía exigen que se ponga en contacto con la Línea Directa de Asistencia al Cliente de Dyson y que proporcione el nombre/número del modelo, número de serie, y la fecha y sitio de compra.
- Por favor mantenga la factura de compra en un sitio seguro para asegurarse de tener esta información.
- Todo el trabajo lo llevará a cabo Dyson, Inc. o sus agentes autorizados.
- El cambio de cualquier pieza defectuosa no extenderá el período de la misma.
- El servicio según esta garantía no extenderá el período de esta garantía.
- Si su aparato no funciona correctamente, por favor llame a la Línea Directa de Asistencia al Cliente de Dyson. La mayoría de los problemas pueden solucionarse por teléfono a través de nuestro personal capacitado en atención al cliente. Si esto no es posible, Dyson, Inc. hará que se repare y se le devuelva su aparato en perfectas condiciones sin costo adicional para usted.

## LIMITACIONES Y EXCLUSIONES DE LA GARANTÍA

- Cualquier garantía implícita relacionada con su aparato, incluyendo pero sin limitarse a una garantía de comerciabilidad o garantía de idoneidad para un propósito en particular, se limita a la duración de esta garantía. Esta limitación no está permitida por algunos estados, por lo que esta limitación puede no aplicarse a usted.
- El recurso por el incumplimiento de esta garantía se limita al servicio de garantía descrito anteriormente. Dyson, Inc. no será responsable de ningún daño consecuente o incidental en el que se pueda incurrir en conexión con la compra y uso de su aparato. Esta limitación no está permitida por algunos estados, por lo que esta limitación puede no aplicarse a usted.
- Esta garantía le otorga derechos legales específicos
- Esta garantía limitada no es transferible.

## INFORMACIÓN IMPORTANTE PARA LA PROTECCIÓN DE DATOS

Sus detalles serán retenidos por Dyson, Inc. u otros en nombre de Dyson, Inc. de manera que nuestro departamento de Servicio al cliente pueda brindarle asistencia con mayor rapidez. Dyson, Inc. podrá enviarle periódicamente ofertas especiales y noticias relacionadas con nuestras más recientes innovaciones. Marque la casilla que se encuentra en el Formulario de la garantía que se incluye en el Manual de Instrucciones si usted no desea recibir información comercial o promocional de Dyson, Inc. Para obtener más información acerca de nuestras prácticas de recopilación de datos, consulte la política de privacidad de Dyson, Inc. en [www.dyson.com/privacy](http://www.dyson.com/privacy)

## INFORMACIÓN DE ELIMINACIÓN DE RESIDUOS

Los productos Dyson están hechos a partir de materiales reciclables de alta calidad y, por tanto, no deben tratarse como residuos domésticos. Para proteger el medio ambiente, deseche este producto de forma responsable y reciclelo siempre que sea posible.

## INFORMACIÓN ACERCA DEL PRODUCTO:

Recuerde: El producto puede diferir en algunos pequeños detalles en comparación con las ilustraciones.





# IMPORTANT!

## WASH FILTERS

Wash filters with cold water at least every 3 months. The filters may require more frequent washing if vacuuming fine dust.



# ¡IMPORTANTE!

## LAVADO DE LOS FILTROS

Lave los filtros con agua fría al menos cada 3 meses. Si se aspira polvo fino, será necesario lavar el filtro con mayor frecuencia.



### Dyson Customer Care

If you have a question about your Dyson appliance, call the Dyson Helpline with your serial number and details of where and when you bought the appliance.

### Servicio de atención al cliente Dyson

Si tiene alguna duda acerca de su aparato Dyson, llame a la línea de ayuda de Dysonal con el número de serie e información de cuándo y dónde compró el producto.

### DYSON CONTACT DETAILS

Website: [www.dyson.com](http://www.dyson.com)

Dyson Helpline: 1-866-277-4649

(Mon-Fri 8am to 8pm CST; Sat 9am to 6pm CST;

Sun closed).

Servicio de atención al cliente Dyson:

1-866-277-4649 (lunes a viernes de 8am - 8pm,

sábados de 9am - 6pm, domingos cerrado).





# WARRANTY FORM • FORMULARIO DE GARANTÍA

Date of purchase | Fecha de compra  /  /

Serial number | Número de série

Title | Tratamiento

Last name | Apellido

First name | Apellido

Address | Dirección

Zip Code | Código postal

email | email

Telephone | Teléfono

From time to time, we'd like to tell you about new Dyson technology and services or get your opinion about your purchase. If you'd prefer us NOT to keep in touch, please tick this box.

De vez en cuando, querríamos decirle acerca de la nueva tecnología de Dyson y servicios o conseguir su opinión acerca de su compra. Marque esta casilla si prefiere que NO mantengamos contacto con usted.

## 3 EASY WAYS TO REGISTER | 3 MANERAS FÁCILES DE REGISTRARSE

**ONLINE**  
Convenient and instant.  
[www.dyson.com/register](http://www.dyson.com/register)

**EN LÍNEA**  
Conveniente y al instante.  
[www.dyson.com/register](http://www.dyson.com/register)



**PHONE**  
Dyson Helpline:  
**1-866-277-4649** (Mon-Fri  
8am to 8pm CST; Sat 9am to 6pm CST;  
Sun closed).

**POR TELÉFONO**  
Servicio de atención al cliente Dyson:  
**1-866-277-4649** (lunes a viernes de  
8am - 8pm, sábados de 9am - 6pm,  
domingos cerrado).



**MAIL**  
Complete and return the  
form in the envelope supplied.

**POR CORREO**  
Complete este formulario y envíelo.