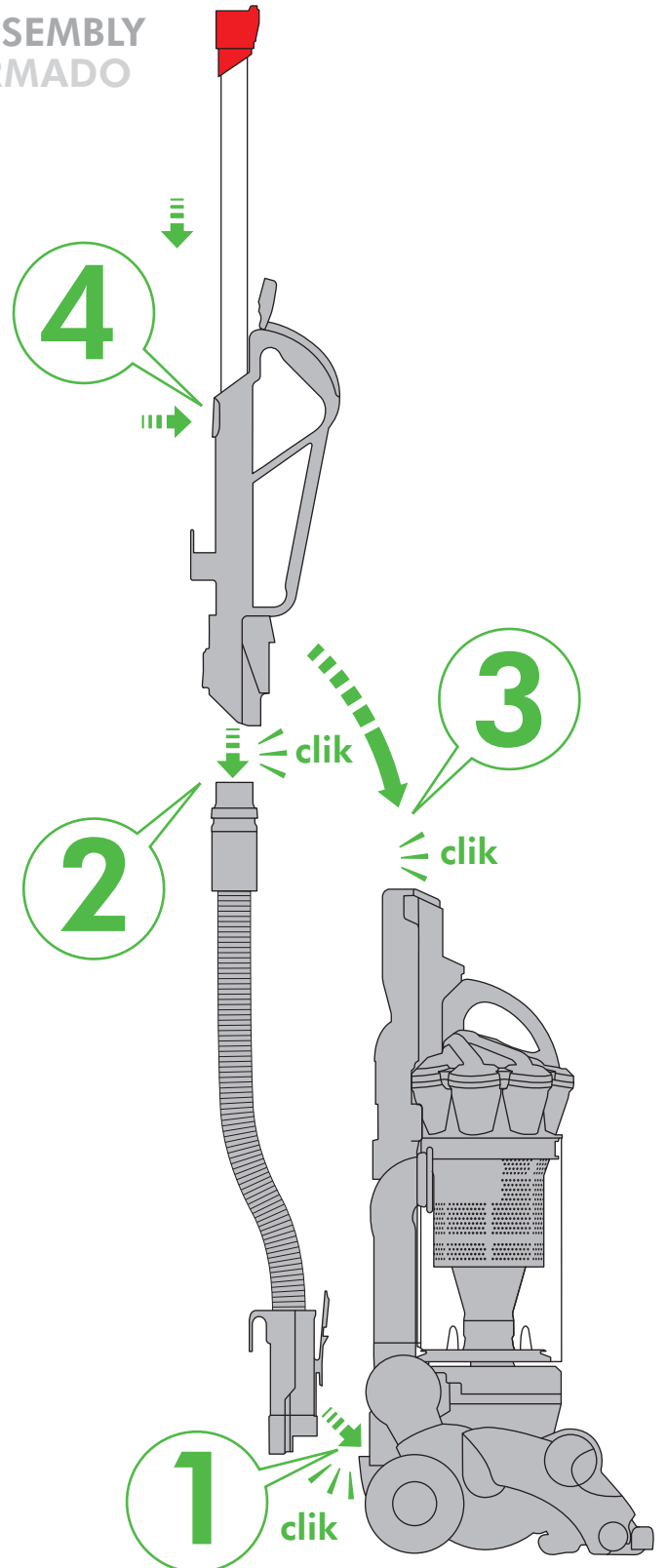


ASSEMBLY
ARMADO




3
months
meses

WASH FILTERS
Wash filters with cold water at least every 3 months.

LAVADO DE LOS FILTROS
Lave los filtros con agua fría al menos cada 3 meses.



REGISTER TODAY
3 easy ways to register your 2 year warranty.

REGISTRE HOY
3 maneras fáciles de registrarse sus 2 años de garantía.



IMPORTANT SAFETY PRECAUTIONS

READ ALL INSTRUCTIONS BEFORE USING THIS APPLIANCE

When using an electrical appliance, basic precautions should always be followed, including the following:

WARNING

TO REDUCE THE RISK OF FIRE, ELECTRIC SHOCK, OR INJURY:

1. Do not leave the Dyson vacuum when plugged in. Unplug from outlet when not in use and before servicing.
2. Do not use outdoors or on wet surfaces. Suitable for dry locations only. Do not use to pick up water.
3. Do not allow to be used as a toy. Close attention is necessary when used by or near children. Children should be supervised to ensure that they do not play with the Dyson vacuum.
4. This Dyson vacuum is not intended for use by young children or infirm persons with reduced physical, sensory or reasoning capabilities, or lack of experience and knowledge, unless they have been given supervision or instruction by a responsible person concerning use of the Dyson vacuum to ensure that they can use the Dyson vacuum safely.
5. Use only as described in this manual. Use only Dyson recommended accessories and replacement parts. Do not carry out any maintenance other than that shown in this manual, or advised by the Dyson Customer Care Helpline. Contact the Dyson Customer Care Helpline when service or repair is required. Do not disassemble the Dyson vacuum as incorrect reassembly may result in an electric shock or fire.
6. Do not use with a damaged cord or plug. If the Dyson vacuum is not working as it should, has been dropped, damaged, left outdoors, or dropped into water, do not use and contact the Dyson Customer Care Helpline. If the supply cord is damaged it must be replaced by Dyson, its service agent or similarly qualified person in order to avoid a hazard.
7. Do not pull or carry by cord, use cord as a handle, close a door on cord or pull cord around sharp edges or corners. Do not run the Dyson vacuum over cord. Keep cord away from heated surfaces. To avoid a tripping hazard wind the cord when not in use.
8. Do not unplug by pulling on the cord. To unplug, grasp the plug, not the cord.
9. Do not handle the plug or Dyson vacuum with wet hands.
10. Do not put any object into openings. Do not use with any opening blocked; keep free of dust, lint, hair, and anything that may reduce airflow.
11. Keep hair, loose clothing, fingers, and all parts of body away from openings and moving parts, such as the brush bar. Do not point the hose, wand or tools at your eyes or ears or put them in your mouth.
12. Turn off all controls before unplugging.
13. Use extra care when cleaning on stairs. Do not work with the Dyson vacuum above you on the stairs.
14. Do not use to pick up flammable or combustible liquids, such as gasoline, or use in areas where they or their vapors may be present.
15. Do not pick up anything that is burning or smoking, such as cigarettes, matches, or hot ashes.
16. Do not use without the clear bin and filters in place.
17. The use of an extension cord is not recommended.

READ AND SAVE THESE INSTRUCTIONS

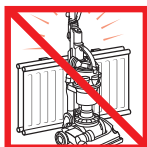
THIS DYSON VACUUM IS INTENDED FOR HOUSEHOLD USE ONLY

POLARIZATION INSTRUCTIONS

To reduce the risk of electric shock, this appliance has a polarized plug (one blade is wider than the other). This plug will fit in a polarized outlet only one way. If the plug does not fit fully in the outlet, reverse the plug. If it still does not fit, contact a qualified electrician to install the proper outlet. Do not change the plug in any way.



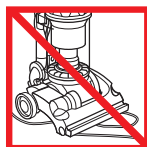
Do not pull on the cord.



Do not store near heat sources.



Do not use near open flame.



Do not run over the cord.



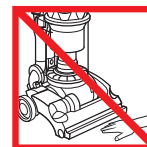
Do not pick up water or liquids.



Do not pick up burning objects.



Do not use above you on the stairs.



Do not put hands near the brush bar when the vacuum is in use.

INSTRUCCIONES DE SEGURIDAD IMPORTANTES

LEA TODAS LAS INSTRUCCIONES ANTES DE UTILIZAR LA ASPIRADORA

Al utilizar un aparato eléctrico, siempre debe tener precauciones básicas, incluyendo las que se enumeran a continuación:

PELIGRO

PARA DISMINUIR EL RIESGO DE PROVOCAR UN INCENDIO, RECIBIR UNA DESCARGA ELÉCTRICA O LESIONES:

1. No deje la aspiradora Dyson desatendida mientras está enchufada. Desenchufe cuando no la utilice y antes de realizar el servicio.
2. No la use afuera (al aire libre) o sobre superficies húmedas. Adecuada solamente para lugares secos. No utilice para aspirar agua u otros líquidos.
3. No permita que se utilice como un juguete. Es necesaria la atención de un adulto cuando es utilizada por o cerca a un niño. Los niños deben ser supervisados para asegurarse de que no jueguen con la aspiradora Dyson.
4. Esta aspiradora Dyson no fue diseñada para que ser utilizada por niños o personas débiles con capacidades físicas, sensoriales o mentales reducidas, o que carezcan de conocimiento y experiencia al respecto, a menos que sean supervisadas o hayan recibido instrucciones por parte de una persona responsable.
5. Utilice solamente como se describe en este manual. Utilice solamente los accesorios y las piezas de repuesto recomendadas por Dyson. No realice ningún otro mantenimiento que no sea el que se muestra en este manual, o el recomendado por la línea de ayuda de servicio al cliente Dyson. Comuníquese con la línea de ayuda de servicio al cliente Dyson
6. No la utilice si tiene un cable o enchufe dañado. Si la aspiradora Dyson no trabaja como debe o si se ha caído, dañado, dejado a la intemperie, o sumergido en agua, no la utilice y comuníquese con la línea de ayuda de servicio al cliente Dyson. Si el cable se daña, éste debe ser reemplazado por un agente de servicio Dyson autorizado.
7. No utilice el cable como una manija ni tire de él, evite también atrapar el cable al cerrar una puerta o tirar de éste alrededor de esquinas o bordes filosos. No pise el cable con la aspiradora. Mantenga el cable alejado de superficies calientes. Para evitar un peligro de tropiezo enrolle el cable cuando no este en uso.
8. No desconecte el aparato tirando del cable. Para desconectar, tome el enchufe y no el cable.
9. No toque el enchufe o la aspiradora con las manos mojadas.
10. No obstruya las aberturas del aparato con ningún objeto. No utilice el aparato si tiene alguna abertura obstruida; manténgalas libres de polvo, pelusas, cabellos o cualquier otra cosa que pueda reducir la circulación del aire.
11. Mantenga el cabello, ropa suelta, los dedos y cualquier otra parte del cuerpo alejados de las aberturas y de las partes móviles, como el cepillo.
12. Apague todos los controles antes de desconectar el aparato.
13. Tenga mucho cuidado cuando utilice la aspiradora sobre una escalera. No trabaje con la aspiradora Dyson por encima de usted en la escalera.
14. No aspire líquidos inflamables o combustibles como gasolina, ni la utilice en áreas dónde pueda haber este tipo de líquido.
15. No aspire nada que se esté quemando o que emita humo, como cigarrillos, fósforos o cenizas calientes.
16. No utilice la aspiradora si el compartimiento cubo transparent y los filtros no están colocados en su lugar.
17. No es recomendable utilizar una extensión de cable.

CONSERVE ESTAS INSTRUCCIONES

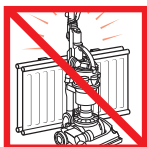
ESTE APARATO ES PARA USO DOMÉSTICO SOLAMENTE

INSTRUCCIONES DE POLARIZACIÓN

Para disminuir el riesgo de choque eléctrico, este aparato lleva un enchufe polarizado (una clavija es más ancha que la otra). Este enchufe se conecta a una toma de corriente polarizada de una sola forma. Si el enchufe no entra totalmente en la toma de corriente, dé la vuelta al enchufe. Si sigue sin entrar bien, póngase en contacto con un electricista calificado para instalar una toma de corriente correcta. No cambie el enchufe de ninguna manera.



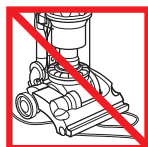
No tire del cord.



No guarde la aspiradora cerca de fuentes de calor



No utilice la aspiradora cerca de una llama.



No pise el cord.



No aspire agua ni ningún tipo de líquido.



No aspire objetos que estén ardiendo.

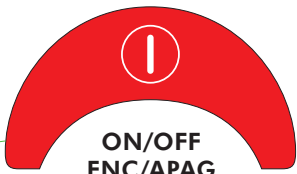
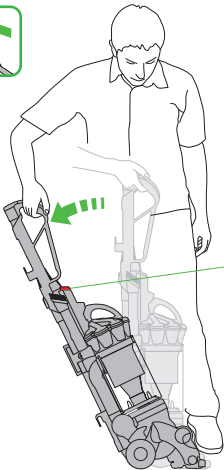


No coloque la aspiradora por encima de usted cuando esté utilizando la aspiradora.

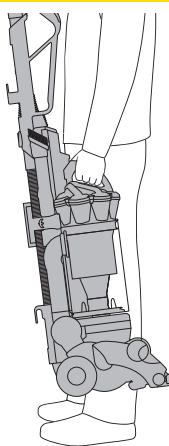


No ponga sus manos cerca del cepillo cuando esté utilizando la aspiradora.

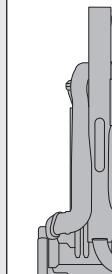
Using your Dyson vacuum • Cómo utilizar su aspiradora Dyson



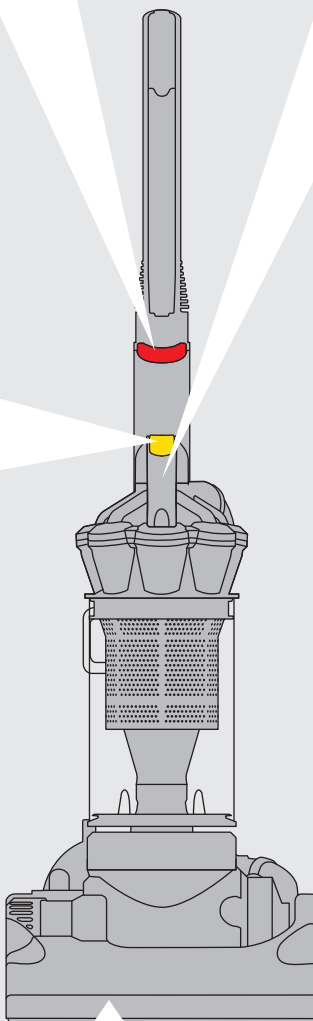
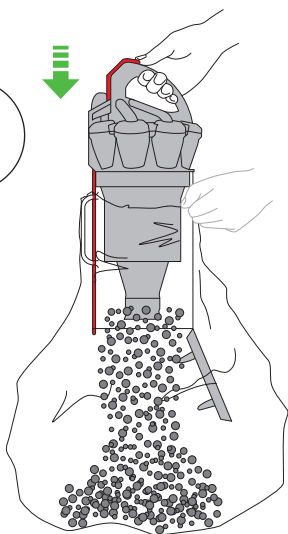
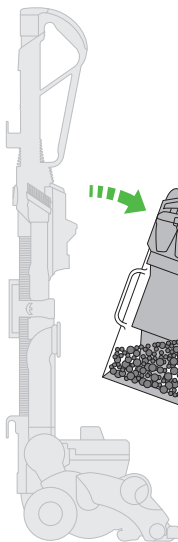
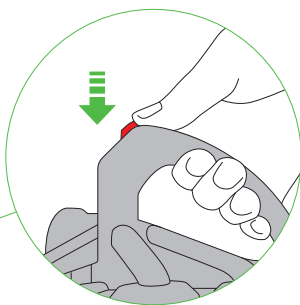
Carrying your Dyson vacuum
Traslado de su aspiradora Dyson



Looking



Emptying the clear bin
Cómo vaciar el compartimiento cubo transparente



4

2

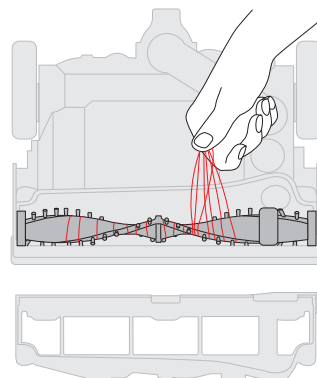
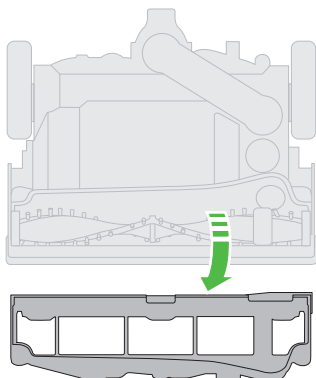
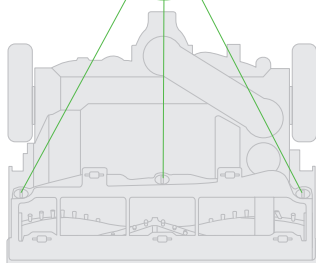
1

clik

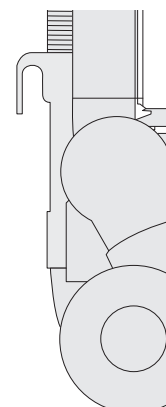
clik

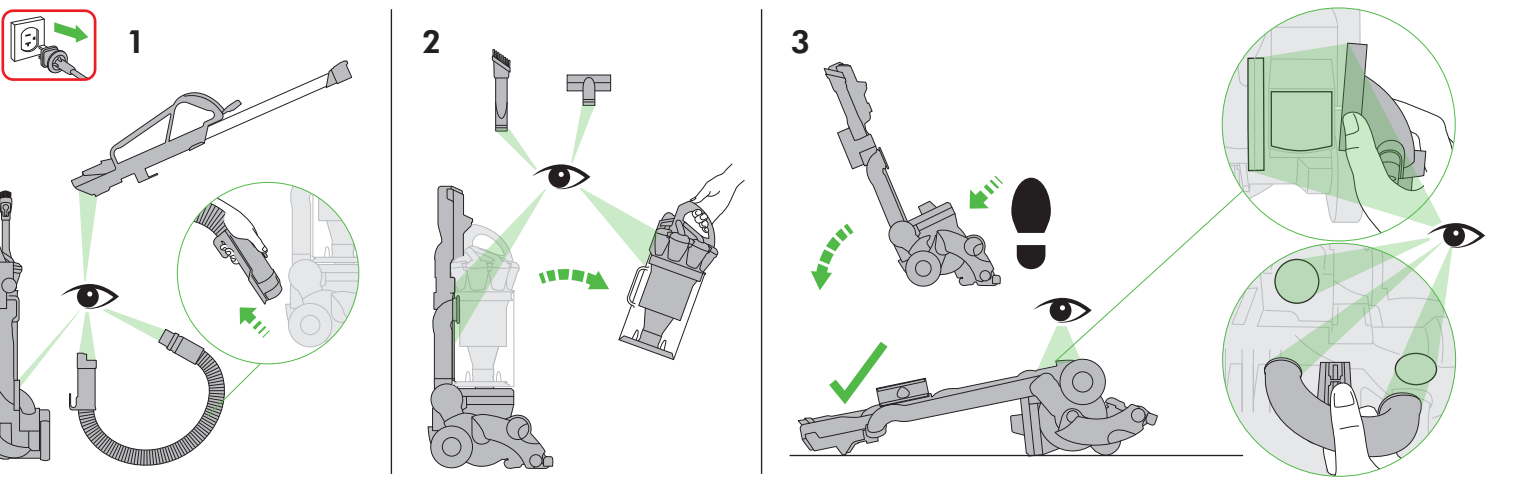
clik

Clearing brush bar obstructions • Cómo liberar las obstrucciones en el cepillo

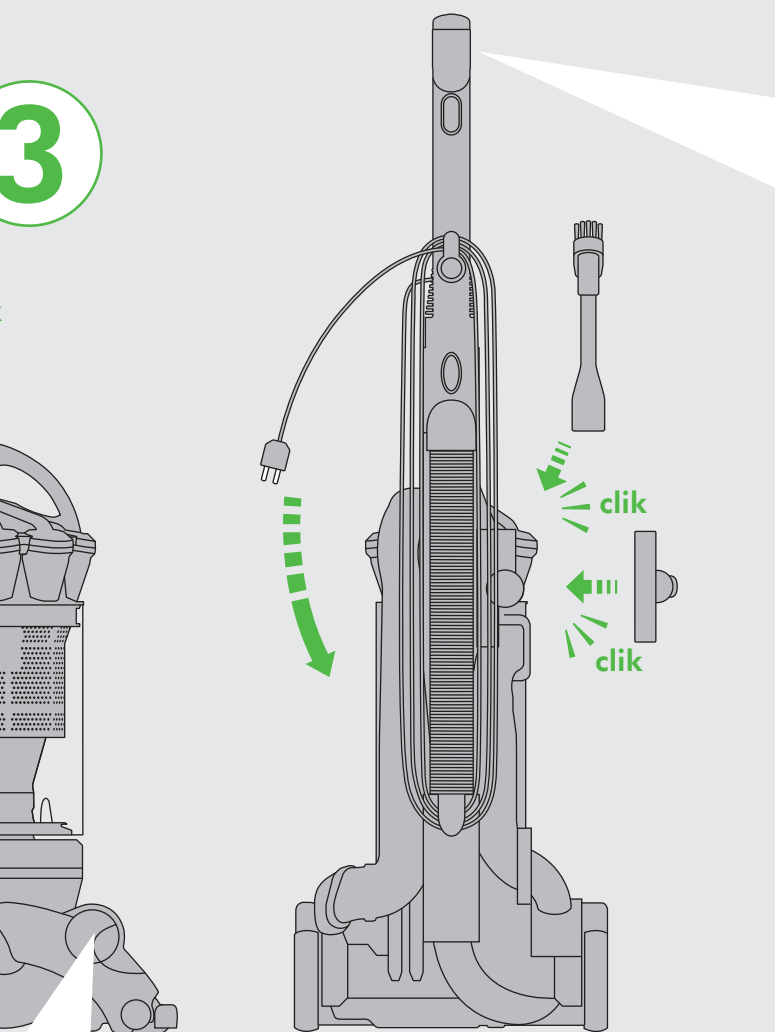


Hard floors/car

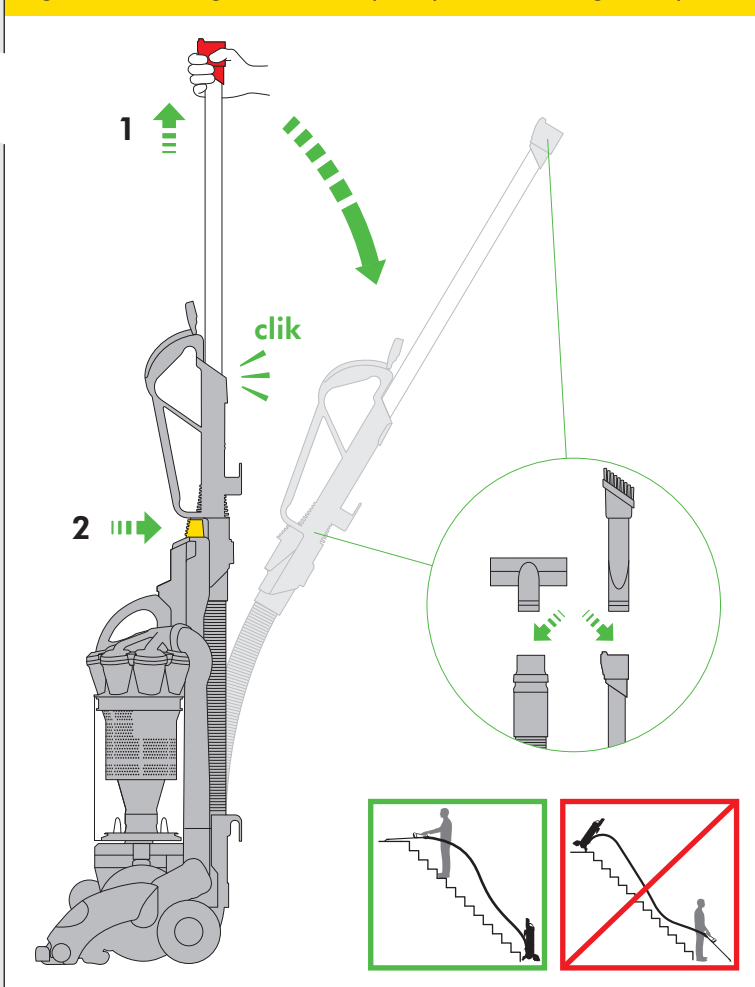




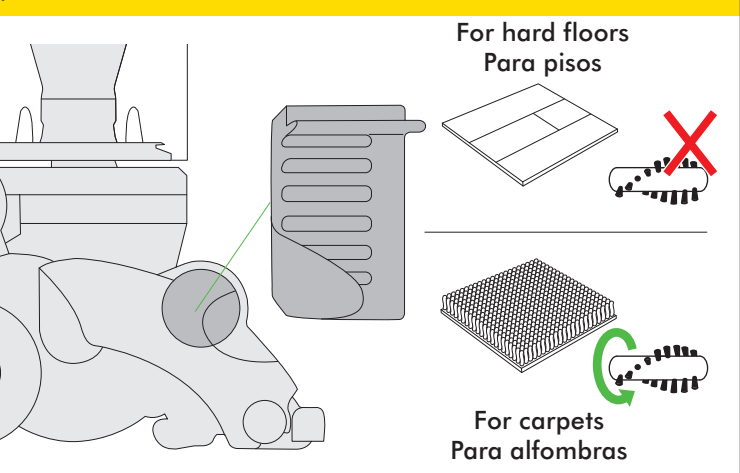
3



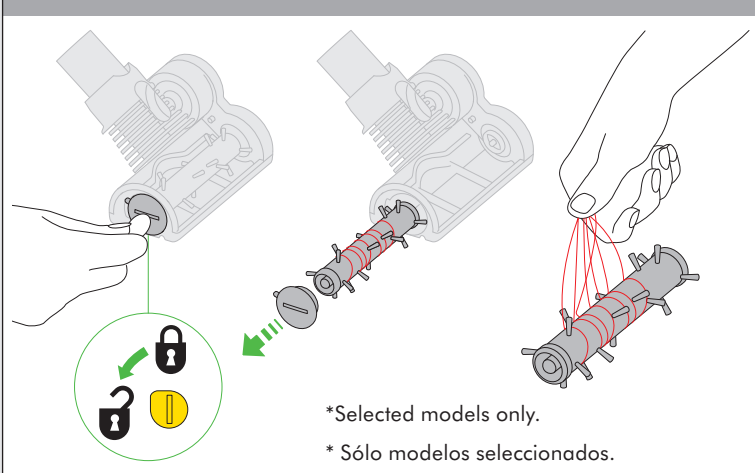
High-reach cleaning • Tubo telescópico ajustable a la longitud requerida



pets • Pisos duros/alfombras



Turbine maintenance* • Mantenimiento de la turbine*

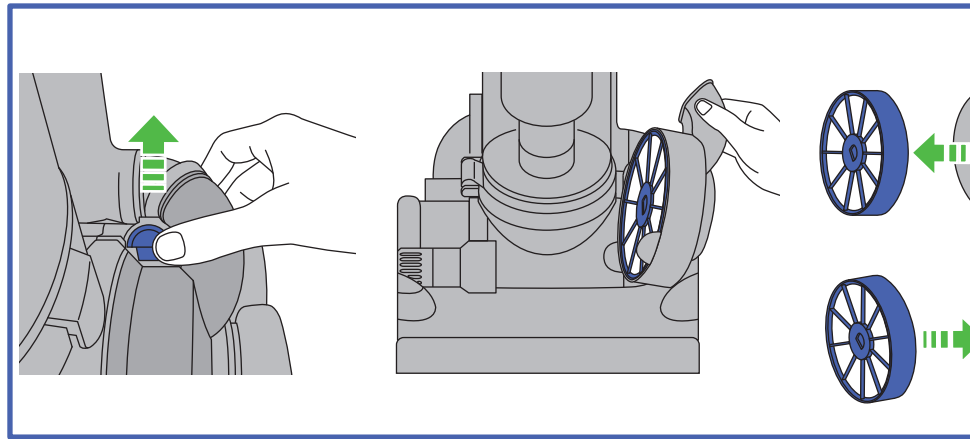


IMPORTANT! ¡IMPORTANTE!

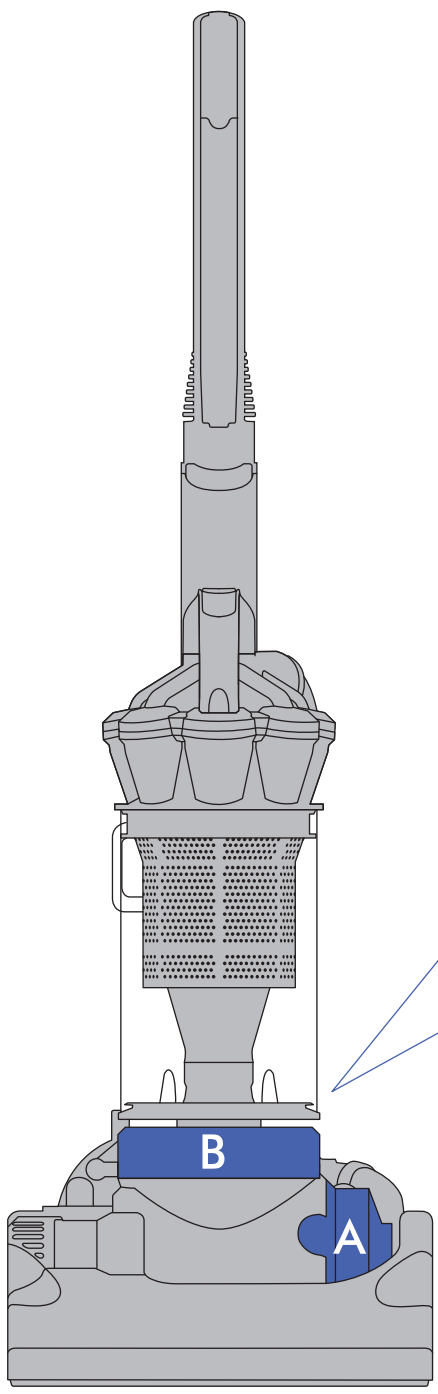
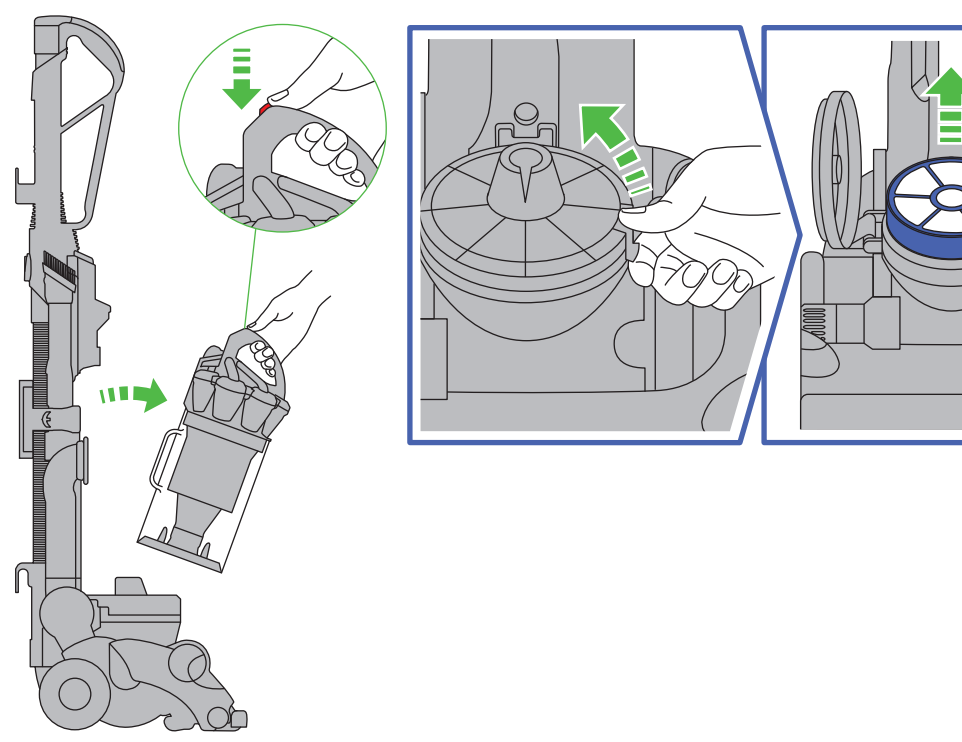
WASH FILTERS
LAVADO DE LOS FILTROS



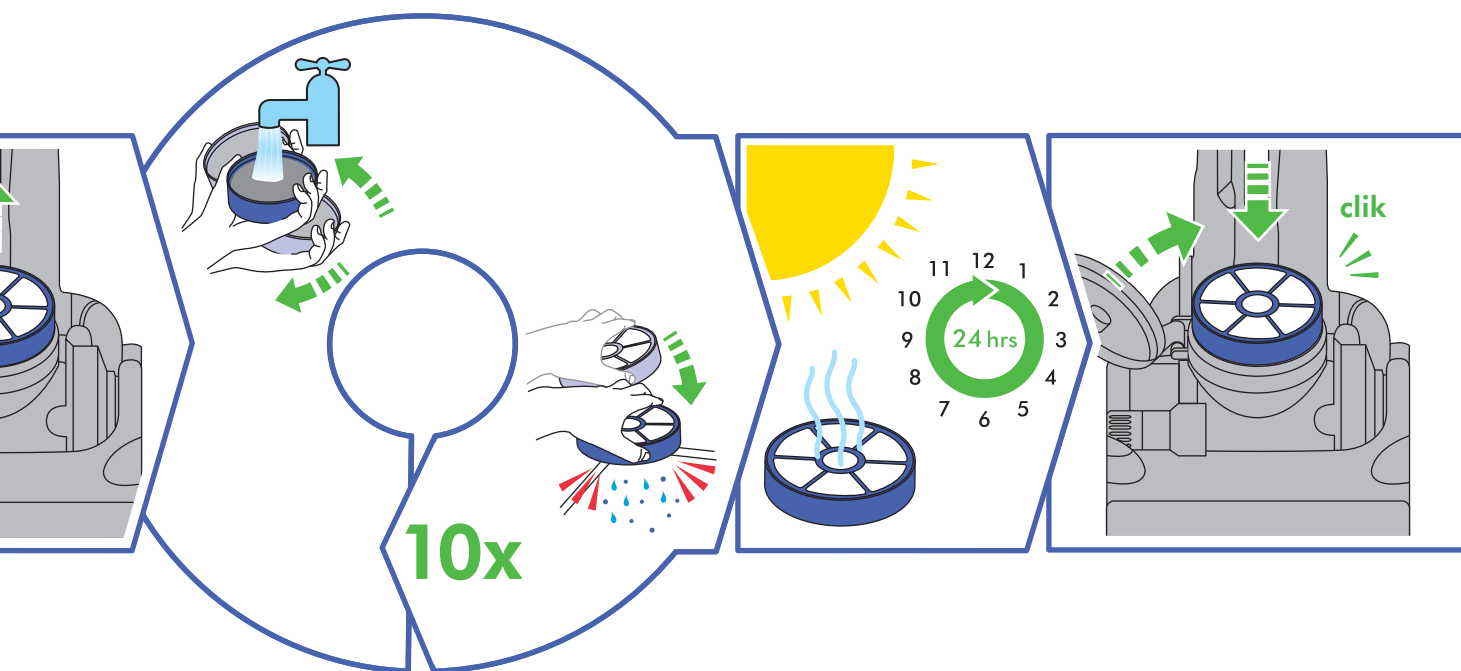
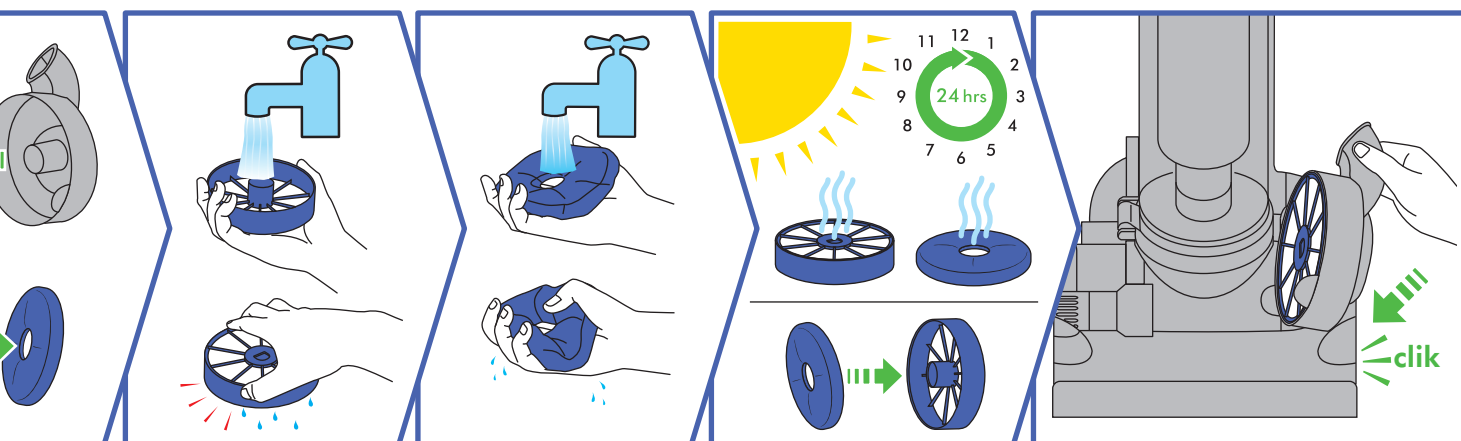
  Filter • Filtre **A**



  Filter • Filtre **B**



Wash filters with cold water at least every 3 months.
 Lave los filtros con agua fría al menos cada 3 meses.



Rinse and shake filters under tap. Turn over and tap very firmly to remove motor emissions. Repeat 10x until water runs clear.

Enjuague y mueva el filtro debajo del grifo. De vuelta el filtro y golpéelo firmemente para eliminar las emisiones del motor. Repita 10 veces o hasta que el agua corra limpia.



ASSEMBLY

- Stand the vacuum up straight and slide the hose into guides at the back of the vacuum and click into place.
- Ensure the hose is straight and slide the wand straight down into the hose until it clicks into place.
- Click the wand handle into the top of the vacuum. Press the red button on the rear of the wand handle and slide the tube down. Close the wand cap.
- Attach the tools to the vacuum and wind the cord anti-clockwise around cord hooks and secure with clip.

USING YOUR DYSON VACUUM

Unwind the cord and insert the plug into a suitable socket. Hold the cleaner head down with your foot and pull the handle downwards. To switch 'ON' or 'OFF' press the power button in front of the handle.

CAUTION:

- Do not allow the vacuum to be used by anyone who may not be able to operate it safely.
- The use of an extension cord is not recommended.
- Always switch 'OFF' and unplug before performing maintenance on your vacuum.
- When returning to the upright position, ensure that the wand and clear bin assembly are fully upright before releasing the vacuum.
- Ensure the cyclone is secured to the vacuum. Do not press the cyclone release button or shake the vacuum while carrying or it could fall and cause injury.
- Store the vacuum indoors. Put the vacuum away after use with the cord coiled safely, to prevent tripping hazards.
- Do not use outdoors or on wet surfaces or to vacuum water or other liquids – electric shock could occur.
- Do not lubricate any parts, or carry out any maintenance or repair work other than that shown in this manual, or advised by the Dyson Customer Care Helpline.

PLEASE NOTE:

- This vacuum is intended for domestic use only. Fine dust such as plaster dust or flour should only be vacuumed in very small amounts.
- Do not use the vacuum to pick up sharp hard objects, small toys, pins, paper clips, etc. They may damage the vacuum.
- If used in a garage, care should be taken to wipe the soleplate and wheels with a dry cloth after vacuuming to clean off any sand, dirt, or pebbles that could damage delicate floors.
- Consult your flooring manufacturer's recommended instructions before vacuuming and caring for your flooring, rugs, and carpet. Some carpets will fuzz if a rotating brush bar is used when vacuuming. If this happens, we recommend vacuuming in hard floors mode and consulting with your flooring manufacturer.
- When vacuuming, certain carpets may generate small static charges in the clear bin. These are entirely harmless and are not associated with the mains supply. To minimize any effect from this, do not put your hand or insert any object into the clear bin unless you have first emptied it and rinsed it out with cold water. (See 'Cleaning the clear bin' section.)
- Do not use or store this vacuum below 0°C (32°F). Ensure that the vacuum is at room temperature before operating.

HARD FLOORS/CARPETS

Ensure the machine is in an upright position before adjusting the setting. The brush bar will automatically stop if it becomes obstructed. If the brush bar stops during use, please refer to the 'Clearing brush bar obstructions' section.

HIGH-REACH CLEANING

CAUTION:

- Switch 'OFF' the vacuum before changing tools.
- Powerful suction can cause the hose to 'pull back' – please take care.
- Take extra care when vacuuming on stairs; do not work with the vacuum above you on the stairs. Do not put the vacuum on chairs, tables etc.
- Ensure vacuum is in upright position before using tools.

PLEASE NOTE:

- To release the wand, open the wand cap and pull the red tube from inside the handle until it clicks. Press button to release the wand and hose from the machine. Tools can be attached to either the hose or wand.
- The brush bar will not rotate when the vacuum is in an upright position.
- Ensure wand cap is closed when not in use.

EMPTYING THE CLEAR BIN

CAUTION:

- Switch 'OFF' the vacuum and unplug before emptying the clear bin.
- Empty as soon as the dirt reaches the level of the MAX mark – do not overfill.
- To remove the clear bin from the vacuum, press the button at the rear of cyclone carrying handle. To release the dirt, press the red bin release button. Emptying into a bag is recommended for allergy sufferers.
- Do not use the vacuum without the clear bin in place.
- To minimize dust/allergen contact when emptying, encase the clear bin tightly in a plastic bag and empty. Remove the clear bin carefully and seal bag tightly, dispose as normal.

CLEANING THE CLEAR BIN

CAUTION:

To remove the cyclone unit from the clear bin press the red bin release button. This exposes a small silver button behind the red opening mechanism. Press the silver button and separate the cyclone unit from the clear bin.

- Ensure the clear bin is completely dry before replacing.

PLEASE NOTE:

- Do not use detergents, polishes or air fresheners to clean the clear bin.
- Do not put clear bin in a dishwasher.
- Clean the shroud with a cloth or dry brush to remove lint and dust.

WASHING YOUR FILTERS

DO THIS EVERY 3 MONTHS

CAUTION:

- Switch 'OFF' and unplug the vacuum before removing the filters.
- Ensure filters are completely dry before refitting to the vacuum.

PLEASE NOTE:

This machine has two filters, located as shown. It is important to check your filters regularly and wash at least every 3 months according to instructions, to maintain performance. Filter B should be rinsed and tapped out until the water runs clean, then tapped out again to ensure all excess water is removed. This will normally require up to 10 rinse cycles.

- After washing please leave for 24 hours to dry completely.
- The filters may require more frequent washing if vacuuming fine dust.
- Do not use detergents to clean the filters.
- Do not put the filters in a dishwasher, washing machine, tumble dryer, oven, microwave or near a naked flame.

LOOKING FOR BLOCKAGES

CAUTION:

- Switch 'OFF' and unplug the vacuum before checking for blockages. Failure to do so could result in personal injury.
- Please ensure the vacuum is upright and switched off before removing hose or airway inspection parts.
- Beware of sharp objects when clearing blockages.
- Refit all parts of the vacuum securely before using.

PLEASE NOTE:

- Clearing blockages is not covered by your vacuum's limited guarantee.
- This vacuum is fitted with an automatically resetting thermal cut-out. If any part of the vacuum becomes blocked, it may overheat and automatically cut-out. Switch 'OFF' and unplug the vacuum and leave to cool down for 1-2 hours before checking filter or for blockages.

CLEARING BRUSH BAR OBSTRUCTIONS

CAUTION:

- Switch 'OFF' and unplug the vacuum before clearing brush bar obstructions. Failure to do so could result in personal injury.
- Beware of sharp objects when clearing obstructions.
- Refit all parts of the vacuum securely before using.

PLEASE NOTE:

- Clearing brush bar obstructions is not covered by your vacuum's limited guarantee.

BRUSH BAR TROUBLESHOOTING

If the brush bar has stopped spinning, follow the steps below. Alternatively contact a Dyson expert on 1-866-277-4649.

CAUTION:

- Ensure machine is in reclined position.
- Ensure clutch is turned on (See page 5).
- Check the cleaner head for blockages (i.e. tangled hair, large debris).
- If the brush bar still isn't spinning, contact a Dyson expert on 1-866-277-4649.

DISPOSAL INFORMATION

Dyson products are made from high grade recyclable materials. Please dispose of this product responsibly and recycle where possible.

DYSON CUSTOMER CARE

THANK YOU FOR CHOOSING TO BUY A DYSON VACUUM

If you have a question about your Dyson vacuum, call the Dyson Helpline at 1-866-277-4649 with your serial number and details of where and when you bought the vacuum. The serial number can be found on the main body of the vacuum behind the clear bin. Most questions can be solved over the phone by one of our Dyson Helpline staff. If your vacuum needs service, call the Dyson Helpline so we can discuss the available options. If your vacuum is under warranty, and it is a covered repair, it will be repaired at no cost.

DYSON HELPLINE

Call 1-866-277-4649 toll free, 7 days a week.

PLEASE REGISTER AS A DYSON VACUUM OWNER

To help us ensure you receive prompt and efficient service, please register as a Dyson vacuum owner. There are three ways to do this:

- Online at www.dyson.com
 - By calling the Dyson Helpline: 1-866-277-4649.
 - By completing and returning the attached Warranty Form to us by mail.
- This will confirm ownership of your Dyson vacuum in the event of an insurance loss, and enable us to contact you if necessary.

2 YEAR WARRANTY

TERMS AND CONDITIONS OF THE DYSON 2 YEAR LIMITED WARRANTY.

WHAT IS COVERED

Your Dyson vacuum is warranted against original defects in material and workmanship for a period of two years from the date of purchase, when used for private household purposes in accordance with the Operating Manual. This warranty provides, at no extra cost to you, all labor and parts necessary to ensure your vacuum is in proper operating condition during the warranty period. This limited warranty is subject to the following terms:

WHAT IS NOT COVERED

Dyson, Inc. shall not be liable for costs, damages or repairs incurred as a result of:

- Vacuums purchased from an unauthorized dealer.
- Clearing blockages from your vacuum.
- Carpet damage due to use not in accordance with flooring manufacturer's instructions or failure to turn brush bar off when necessary.
- Use of parts not in accordance with the Operating Manual.
- Careless operation or handling, misuse, abuse and/or lack of maintenance or use not in accordance with the Operating Manual.
- External sources such as weather.
- Repairs or alterations carried out by unauthorized parties or agents.
- Use of the vacuum other than for normal domestic purposes within the United States, e.g. for commercial or rental purposes.
- Normal wear and tear, including normal wearing parts such as clear bin, belt, filter, brush bar, hose assembly and power cord (or where external damage or abuse is diagnosed).
- Use of parts and accessories other than those produced or recommended by Dyson, Inc.

WARRANTY SERVICE

- Please fill out and return the Warranty Form, or register online at www.dyson.com
- Before service can take place, the terms of the limited warranty require that you contact the Dyson Helpline with your model name/number, serial number, date and place of purchase. Please keep your purchase receipt in a safe place to ensure you have this information. The serial number is found on the vacuum's rating plate, which is behind the clear bin.
- All work will be carried out by Dyson, Inc. or its authorized agents.
- Any replaced defective parts will become the property of Dyson, Inc.
- Service under this warranty will not extend the period of this warranty.
- If your vacuum is not functioning properly, please call the Dyson Helpline at 1-866-277-4649. Most issues can be rectified over the telephone by our trained Customer Care staff. If this is not possible Dyson, Inc. will arrange for your vacuum to be repaired and returned in full working order at no extra cost to yourself.

WARRANTY LIMITATIONS AND EXCLUSIONS

- Any implied warranties relating to your vacuum, including but not limited to warranty of merchantability or warranty of fitness for a particular purpose, are limited to the duration of this warranty. This limitation is not allowed by some States and so this limitation may not apply to you.
- Your remedy for breach of this warranty is limited to the warranty service described above. Dyson, Inc. will not be liable for any consequential damages or incidental damages you may incur in connection with your purchase and use of your vacuum. This limitation is not allowed by some States and so this limitation may not apply to you.
- This limited warranty gives you specific legal rights. You may also have other rights which vary by State.
- This limited warranty is not transferable.

IMPORTANT DATA PROTECTION INFORMATION

- If you choose to opt-in to receive communications from us, your details will be held by Dyson or others on behalf of Dyson so that we can assist you more quickly with our Dyson Helpline. From time to time, Dyson may send you special offers and news of our latest innovations.
- For more information about our data collection practices, please refer to the Dyson privacy policy at www.dyson.com/privacy

PRODUCT INFORMATION

Please note: Small details may vary from those shown.

CÓMO ARMAR LA ASPIRADORA

- Coloque la aspiradora en posición vertical y deslice la manguera por las guías en la parte posterior de la aspiradora hasta que haga clic en su sitio.
- Asegúrese de que la manguera esté derecha y deslice la varilla hacia abajo, adentro de la manguera hasta que haga clic en su lugar.
- Haga clic en la manija de la varilla en la parte superior de la aspiradora. Presione el botón rojo en el trasero de la manija de la varilla y deslice el tubo hacia abajo. Cierre la tapa de la varilla.
- Acople las herramientas a la aspiradora, enrolle el cord en sentido contrario a las manecillas del reloj sobre los ganchos y asegúrelo en el broche.

COMO UTILIZAR SU ASPIRADORA DYSON

Desenrolle el cord e inserte el enchufe con una toma de corriente adecuada. Detenga el cabezal limpiador hacia abajo con el pie y tire de la manija hacia abajo. Para encender ("ON") o apagar ("OFF") presione el botón de encendido/apagado situado al frente de la manija.

⚠️ ADVERTENCIA:

- No permita que la aspiradora sea usada por alguien que no esté capacitado para operarla de manera segura.
- No es recomendable utilizar una extensión de cord.
- Siempre apague y desconecte la aspiradora antes de realizar cualquier tipo de mantenimiento.
- Cuando coloque la aspiradora nuevamente en posición vertical, compruebe que el conjunto del tubo y el compartimiento cubo transparente esté también en posición vertical.
- Asegúrese de que el extractor de polvo esté bien conectado a la aspiradora. No presione el botón para soltar el extractor ni sacuda la aspiradora mientras la transporta porque podría caerse y dañarse.
- Guarde la aspiradora bajo techo. Luego de utilizarla, guarde la aspiradora con el cord debidamente enrollado para evitar posibles tropezones.
- No utilice el aparato al aire libre ni sobre superficies húmedas o para aspirar agua u otros líquidos, ya que podría recibir un choque eléctrico.
- No lubrique ninguna parte del aparato ni intente repararlo o realizar cualquier otro tipo de mantenimiento que no se encuentre en este manual o que no haya sido indicado por la línea de ayuda de Dyson.

RECUERDE:

- Esta aspiradora es para uso doméstico solamente.
- No utilice la aspiradora para recoger objetos duros cortantes, juguetes pequeños, alfileres, sujetapapeles, etc., ya que podrían dañar la aspiradora.
- Si se utiliza en un garaje, tenga sumo cuidado de limpiar la placa base y las ruedas con un paño seco después de aspirar, para quitarles la arena, suciedad o piedritas que podrían dañar los pisos delicados.
- Consulte las instrucciones recomendadas por el fabricante de su piso antes de aspirar y cuidar sus pisos, y alfombras. Algunas alfombras formarán pelusa si utiliza el cepillo rotatorio mientras aspira. Si esto sucede, recomendamos aspirar en el modo de pisos expuestos y consultar con el fabricante de su piso.
- Al aspirar, algunas alfombras pueden generar pequeñas descargas de estática en el compartimiento cubo transparente. Éstas son totalmente inofensivas y no están asociadas al suministro de corriente eléctrica. Para minimizar sus efectos, no coloque su mano ni introduzca ningún objeto en el compartimiento cubo transparente a menos que primero lo haya vaciado y lavado con agua fría (consulte la sección 'Cómo limpiar el compartimiento cubo transparente').
- No use o guarde esta máquina en un lugar con temperatura por debajo de 32°F (0°C). Antes de operar la máquina asegúrese de que está a temperatura ambiente.

PISOS DUROS/ALFOMBRAS

Asegúrese de que la máquina esté en posición recta antes de ajustar la configuración. La barra del cepillo se apagará automáticamente si se encuentra obstruida. Si la barra de cepillo se detiene durante el uso, por favor consulte la sección de 'Limpiando las obstrucciones de la barra del cepillo'.

TUBO TELESCÓPICO AJUSTABLE A LA LONGITUD REQUERIDA

⚠️ ADVERTENCIA:

- Apague la aspiradora antes de cambiar las herramientas.
 - Si el aparato aspira a máxima potencia, la manguera puede retraerse. Tenga mucho cuidado.
 - Tenga mucho cuidado cuando utilice la aspiradora sobre una escalera y no la coloque encima de usted. No suba la aspiradora a sillas, mesas, etc.
 - Asegúrese de que la aspiradora esté en posición vertical antes de usar las herramientas.
- RECUERDE:
- Para soltar el tubo, abra la tapa y tire del tubo rojo hasta que el tubo de aspiración quede liberado de la aspiradora. Las herramientas pueden colocarse tanto en el tubo como en la manguera.
 - El cepillo no rotará cuando la aspiradora está en posición vertical.
 - Asegúrese de que la tapa del tubo está cerrada cuando no se use.

CÓMO VACIAR EL COMPARTIMIENTO CUBO TRANSPARENTE

⚠️ ADVERTENCIA:

- Apague la aspiradora y desconéctela ("OFF") antes de vaciar el compartimiento cubo transparente.
- Vacíe el compartimiento cuando la basura llegue al nivel máximo. Evite sobrecargarlo.
- Para quitar el cubo transparente de la aspiradora, presione el botón en la parte posterior de la manija que lleva el ciclón. Para liberar la suciedad, presione el botón rojo en el cubo transparente. Se recomienda a quienes sufren de alergias que vacíen el contenido en una bolsa.
- No utilice la aspiradora si el compartimiento cubo transparente no está colocado.
- To minimize dust/allergen contact when emptying, encase the clear bin tightly in a plastic bag and empty. Remove the clear bin carefully and seal bag tightly, dispose as normal. For a free fact sheet visit www.dyson.co.uk/technology/allergy

CÓMO LIMPIAR EL COMPARTIMIENTO CUBO TRANSPARENTE

⚠️ ADVERTENCIA:

- Para retirar la unidad ciclónica del clear bin presione el botón de apertura rojo del clear bin. Esto deja al descubierto un botón plateado pequeño detrás del mecanismo de apertura rojo. Presione el botón plateado y separe la unidad ciclónica del clear bin.
- Asegúrese de que el compartimiento cubo transparente™ esté totalmente seco antes de colocarlo.

RECUERDE:

- No utilice detergente, líquido para encerar ni desodorante de ambientes para limpiar el compartimiento cubo transparente.
- No limpie el compartimiento cubo transparente en un lavavajillas.
- Limpie la cubierta con un paño o cepillo seco para remover el polvo y la pelusa.

CÓMO LAVAR LOS FILTROS

HAGA ESTO CADA 3 MESES

⚠️ ADVERTENCIA:

- Apague la aspiradora y desconéctela antes de quitar los filtros.
- Asegúrese de que los filtros estén totalmente secos antes de volver a colocarlos en la aspiradora.

RECUERDE:

- Esta aspiradora tiene dos filtros, ubicados como se muestra en las ilustraciones. Es importante revisar los filtros con regularidad y lavarlos al menos cada tres meses de acuerdo con las instrucciones, para mantener el funcionamiento del aparato. Filtro B debe ser enjuagado y golpeado a cabo hasta que el agua salga limpia, a continuación, golpeado de nuevo para asegurarse que se elimina el exceso de agua. Esto requerirá normalmente hasta 10 ciclos de enjuague.
- Después de lavarlos, déjelos secar por completo durante 24 horas.
- Si se aspira polvo fino, será necesario lavar los filtros con mayor frecuencia.
- No use detergentes para limpiar los filtros.
- No coloque los filtros en el lavavajillas, el lavadora, la secadora, el horno, el microondas o cerca del fuego.

CÓMO BUSCAR OBSTRUCCIONES

⚠️ ADVERTENCIA:

- Apague la aspiradora y desconéctela antes de buscar obstrucciones. Si no lo hace, podría sufrir lesiones.
- Por favor asegúrese de que la aspiradora esté en posición vertical y apagada antes de quitar el tubo o las partes de inspección de la ventilación.
- Tenga cuidado al utilizar objetos filosos para sacar las obstrucciones.
- Coloque todas las partes de la aspiradora correctamente antes de utilizarla.

RECUERDE:

- Su garantía limitada no cubre la eliminación de obstrucciones.
- Esta aspiradora posee un sistema de desconexión térmica. Si alguna parte de la aspiradora se obstruye, esta puede sobrecalentarse y apagarse automáticamente. Apague y desenchufe la aspiradora y déjala enfriar al menos por 1-2 hours antes de revisar los filtros o si hay obstrucciones.

CÓMO LIBERAR LAS OBSTRUCCIONES DEL CEPILLO

⚠️ ADVERTENCIA:

- Apague la aspiradora y desconéctela antes de buscar obstrucciones. Si no lo hace, podría sufrir lesiones.
 - Tenga cuidado al utilizar objetos filosos para sacar las obstrucciones.
 - Coloque todas las partes de la aspiradora correctamente antes de utilizarla.
- RECUERDE:
- Su garantía limitada no cubre la eliminación de obstrucciones.

REPARACIÓN DE AVERÍAS DE LA BARRA DE CEPILLO

Si la barra de cepillo ha dejado de girar, siga los pasos que se muestran a continuación. Como alternativa, comuníquese con un experto de Dyson al 1-866-277-4649.



ADVERTENCIA:

- Asegúrese de que la máquina esté reclinada.
- Asegúrese de que el embrague esté encendido. (Ver página 5)
- Revise si el cabezal del limpiador presenta obstrucciones. (por ejemplo: cabello enredado, desechos grandes)
- Si la barra de cepillo sigue sin girar, comuníquese con un experto de Dyson al 1-866-277-4649.

INFORMACION DE DESECHO

Productos Dyson están hechos de materiales reciclables de alta calidad. Por favor, deseche este producto de manera responsable y reciclar en lo posible.

SERVICIO DE ATENCIÓN AL CLIENTE DYSON

GRACIAS POR ELEGIR COMPRAR UNA ASPIRADORA DYSON

Si tiene alguna duda acerca de su aspiradora Dyson, llame a la línea de ayuda de Dyson al 1-866-277-4649 con el número de serie e información de cuándo y dónde compró el producto. Encontrará el número de serie en la placa de datos de calificación que se encuentra detrás del compartimiento cubo transparente. Si tiene más preguntas, puede consultar por teléfono a algún miembro de la línea de ayuda. Si su aspiradora necesita reparación llame a la Línea de ayuda de Dyson para poder analizar las opciones disponibles. Si su aspiradora tiene garantía y la reparación necesaria está incluida dentro de esa garantía, se reparará sin costo alguno.

LÍNEA DIRECTA DE ASISTENCIA AL CLIENTE DE DYSON

Llame al 1-866-277-4649, gratis, los 7 días de la semana.

POR FAVOR REGÍSTRESE COMO PROPIETARIO DE UNA ASPIRADORA DYSON

Para ayudarnos a asegurarle que reciba un servicio rápido y eficaz, por favor regístrese como propietario de una aspiradora Dyson. Hay dos maneras de hacerlo:

- En línea en www.dyson.com
- Llamando gratis a la línea de ayuda de Dyson: 1-866-277-4649.
- Completando y enviándonos por correo el formulario que se adjunta. Esto confirmará que la aspiradora Dyson es de su propiedad en caso de que ocurra una pérdida cubierta por el seguro, y nos permitirá contactarle si fuese necesario.

2 AÑOS DE GARANTÍA

TÉRMINOS Y CONDICIONES DE LA GARANTÍA LIMITADA DE 2 AÑOS DE DYSON.

QUÉ ESTÁ CUBIERTO

- Su aspiradora Dyson está garantizada contra defectos originales de material o mano de obra por un período de dos años a partir de la fecha de compra, cuando se utilice para fines domésticos privados y de acuerdo con el Manual de Instrucciones de Dyson. Esta garantía proporciona, sin costo para usted, toda la mano de obra y piezas para poner su aspiradora en perfectas condiciones de funcionamiento durante el plazo de garantía. Esta garantía está sujeta a los siguientes términos:

QUÉ NO ESTÁ CUBIERTO

Dyson, Inc. no será responsable de los costos incurridos como resultado de:

- Aspiradoras compradas a proveedores no autorizados.
- Eliminar obstrucciones de su máquina.
- Daño a la alfombra debido al uso no de acuerdo con las instrucciones del fabricante dado al caso de no apagar el cepillo cuando es necesario.
- El uso de piezas que no estén contempladas en el Manual de Instrucciones.
- El funcionamiento o manejo descuidado, uso indebido y/o falta de mantenimiento o el uso de forma contraria al Manual de Instrucciones.
- Factores externos, como por ejemplo el clima.
- Reparaciones o alteraciones llevadas a cabo por partes o agentes no autorizados.
- El uso de la aspiradora contrario a los usos domésticos normales dentro de los Estados Unidos de América, por ejemplo, para el uso comercial o alquiler.
- Uso y desgaste normal, incluido desgaste normal de partes como cubo transparente banda, filtro, cepillo, ensamble de la manguera, y cable de corriente (o donde se diagnostique daño o abuso externo).
- El uso de piezas y accesorios que no sean los producidos o recomendados por Dyson, Inc.

SERVICIO DE GARANTÍA

- Por favor complete y devuelva el Formulario de registro del producto, o regístrese en línea en www.dyson.com
- Antes de poder realizar el servicio, los términos de la garantía exigen que se ponga en contacto con la Línea Directa de Asistencia al Cliente de Dyson y que proporcione el nombre/número del modelo, número de serie, y la fecha y sitio de compra. Por favor mantenga la factura de compra en un sitio seguro para asegurarse de tener esta información. El número de serie se encuentra en la placa de calificación de la aspiradora, que se encuentra en el cuerpo principal de la máquina, detrás del cubo transparente.
- Todo el trabajo lo llevará a cabo Dyson, Inc. o sus agentes autorizados.
- El cambio de cualquier pieza defectuosa no extenderá el período de la misma.
- El servicio según esta garantía no extenderá el período de esta garantía.
- Si su aspiradora no funciona correctamente, por favor llame a la Línea Directa de Asistencia al Cliente de Dyson por el 1-866-277-4649. La mayoría de los problemas pueden solucionarse por teléfono a través de nuestro personal capacitado en atención al cliente. Si esto no es posible, Dyson, Inc. hará que se repare y se le devuelva su aspiradora en perfectas condiciones sin costo adicional para usted.

LIMITACIONES Y EXCLUSIONES DE LA GARANTÍA

- Cualquier garantía implícita relacionada con su aspiradora, incluyendo pero sin limitarse a una garantía de comerciabilidad o garantía de idoneidad para un propósito en particular, se limita a la duración de esta garantía. Esta limitación no está permitida por algunos estados, por lo que esta limitación puede no aplicarse a usted.
- El recurso por el incumplimiento de esta garantía se limita al servicio de garantía descrito anteriormente. Dyson, Inc. no será responsable de ningún daño consecuente o incidental en el que se pueda incurrir en conexión con la compra y uso de su aspiradora. Esta limitación no está permitida por algunos estados, por lo que esta limitación puede no aplicarse a usted.
- Esta garantía limitada le otorga derechos legales específicos. Usted podría también tener otros derechos los cuales varían de acuerdo al estado.
- Esta garantía le otorga derechos legales específicos.

INFORMACIÓN IMPORTANTE PARA LA PROTECCIÓN DE DATOS

- Si opta por recibir nuestras comunicaciones, sus datos personales serán conservados por Dyson, o terceros en representación de Dyson, de manera que nuestra línea directa de Asistencia al Cliente Dyson pueda ayudarlo con mayor rapidez. En ocasiones, es posible que Dyson le envíe ofertas especiales y noticias sobre nuestras más recientes innovaciones
- Para obtener más información acerca de nuestras prácticas de recopilación de datos, consulte la política de privacidad de Dyson en www.dyson.com/privacy

INFORMACION ACERCA DEL PRODUCTO

Recuerde: El producto puede diferir en algunos pequeños detalles en comparación con las ilustraciones.

IMPORTANT! ¡IMPORTANTE!

WASH FILTERS LAVADO DE LOS FILTROS



Wash filters with cold water at least every 3 months.
Lave los filtros con agua fría al menos cada 3 meses.



Dyson Customer Care

If you have a question about your Dyson vacuum, call the Dyson Helpline with your serial number and details of where and when you bought the vacuum, or contact us via the Dyson website. The serial number can be found on the main body of the vacuum behind the clear bin.

Servicio de atención al cliente Dyson

Si tiene preguntas sobre su aspiradora Dyson, llame a la línea de ayuda Dyson con su número de serie y los detalles de dónde y cuándo compró su aspiradora, o comuníquese con nosotros por medio del sitio en Internet de Dyson. El número de serie se encuentra en la base principal de su aspiradora detrás del cubo transparente.

Dyson Customer Care
1-866-277-4649
Toll free, 7 days a week

Servicio de atención al cliente Dyson
1-866-277-4649
Llamada gratuita, 7 días a la semana

