

ASSEMBLY • ARMADO

 **3**
months
meses

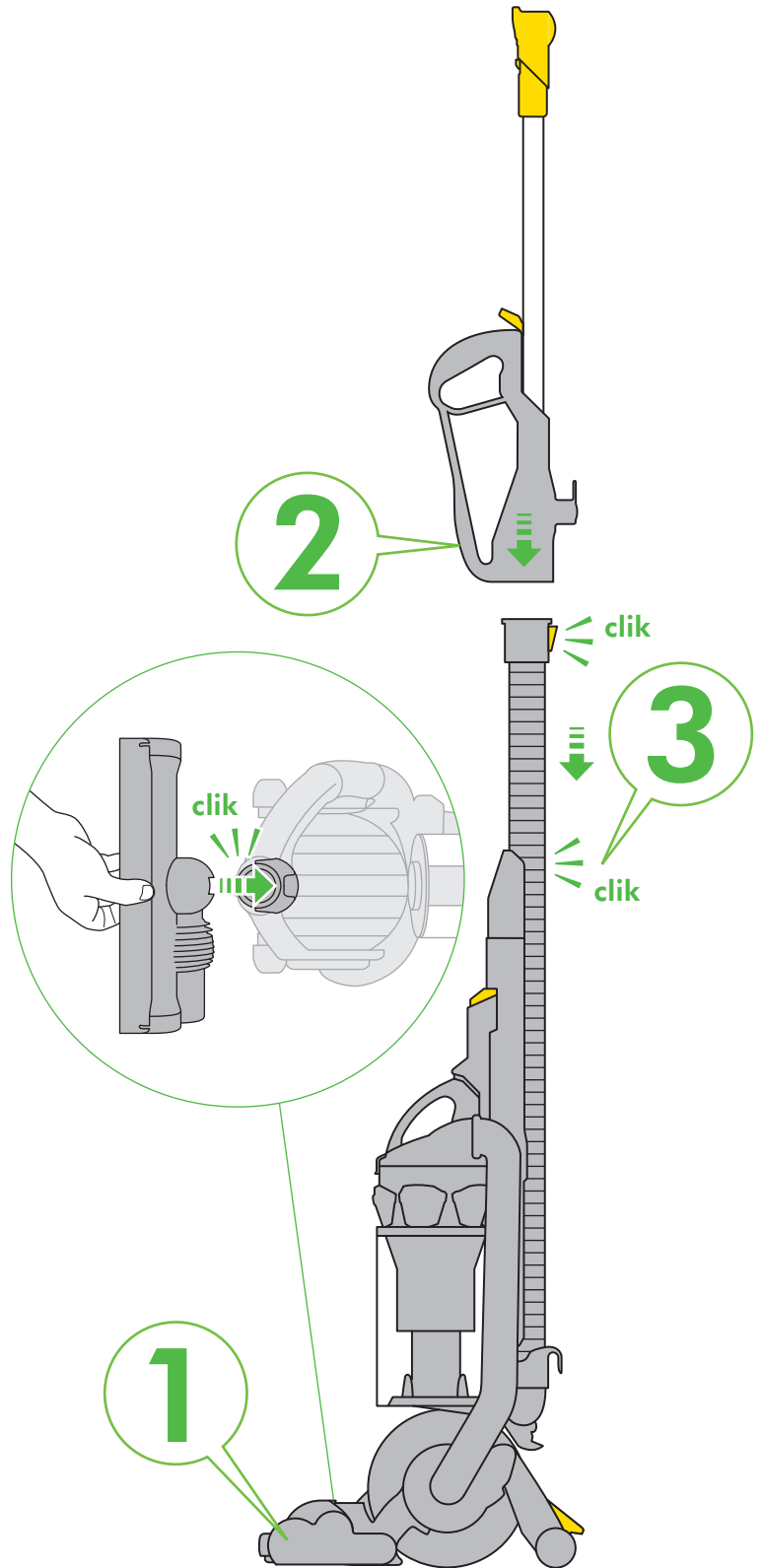
WASH FILTERS
Wash filters with cold water
at least every 3 months.

LAVADO DEL FILTRO
Lave los filtros con agua fría
al menos cada 3 meses.



REGISTER TODAY
3 easy ways to register your
5 year warranty

REGISTRE HOY
3 maneras fáciles de registrarse
sus 5 años de garantía



IMPORTANT SAFETY INSTRUCTIONS

READ ALL INSTRUCTIONS BEFORE USING THIS APPLIANCE

When using an electrical appliance, basic precautions should always be followed, including the following:



WARNING

TO REDUCE THE RISK OF FIRE, ELECTRIC SHOCK, OR INJURY:

1. Do not leave the Dyson vacuum when plugged in. Unplug from outlet when not in use and before servicing.
2. Do not use outdoors or on wet surfaces. Suitable for dry locations only. Do not use to pick up water.
3. Do not allow to be used as a toy. Close attention is necessary when used by or near children. Children should be supervised to ensure that they do not play with the Dyson vacuum.
4. This Dyson vacuum is not intended for use by young children or infirm persons with reduced physical, sensory or reasoning capabilities, or lack of experience and knowledge, unless they have been given supervision or instruction by a responsible person concerning use of the Dyson vacuum to ensure that they can use the Dyson vacuum safely.
5. Use only as described in this manual. Use only Dyson recommended accessories and replacement parts. Do not carry out any maintenance other than that shown in this manual, or advised by the Dyson Customer Care Helpline. Contact the Dyson Customer Care Helpline when service or repair is required. Do not disassemble the Dyson vacuum as incorrect reassembly may result in an electric shock or fire.
6. Do not use with a damaged cord or plug. If the Dyson vacuum is not working as it should, has been dropped, damaged, left outdoors, or dropped into water, do not use and contact the Dyson Customer Care Helpline. If the supply cord is damaged it must be replaced by Dyson, its service agent or similarly qualified person in order to avoid a hazard.
7. Do not pull or carry by cord, use cord as a handle, close a door on cord or pull cord around sharp edges or corners. Do not run the Dyson vacuum over cord. Keep cord away from heated surfaces. To avoid a tripping hazard wind the cord when not in use.
8. Do not unplug by pulling on the cord. To unplug, grasp the plug, not the cord.
9. Do not handle the plug or Dyson vacuum with wet hands.
10. Do not put any object into openings. Do not use with any opening blocked; keep free of dust, lint, hair, and anything that may reduce airflow.
11. Keep hair, loose clothing, fingers, and all parts of body away from openings and moving parts, such as the brush bar. Do not point the hose, wand or tools at your eyes or ears or put them in your mouth.
12. Turn off all controls before unplugging.
13. Use extra care when cleaning on stairs. Do not work with the Dyson vacuum above you on the stairs.
14. Do not use to pick up flammable or combustible liquids, such as gasoline, or use in areas where they or their vapors may be present.
15. Do not pick up anything that is burning or smoking, such as cigarettes, matches, or hot ashes.
16. Do not use without the clear bin and filters in place.
17. The use of an extension cord is not recommended.

READ AND SAVE THESE INSTRUCTIONS

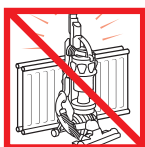
THIS DYSON VACUUM IS INTENDED FOR HOUSEHOLD USE ONLY

POLARIZATION INSTRUCTIONS

To reduce the risk of electric shock, this appliance has a polarized plug (one blade is wider than the other). This plug will fit in a polarized outlet only one way. If the plug does not fit fully in the outlet, reverse the plug. If it still does not fit, contact a qualified electrician to install the proper outlet. Do not change the plug in any way.



Do not pull on the cord.



Do not store near heat sources.



Do not use near open flame.



Do not run over the cord.



Do not pick up water or liquids.



Do not pick up burning objects.



Do not use above you on the stairs.



Do not put your hands near the brush bar when the vacuum is in use.

INSTRUCCIONES DE SEGURIDAD IMPORTANTES

LEA TODAS LAS INSTRUCCIONES ANTES DE UTILIZAR LA ASPIRADORA

Al utilizar un aparato eléctrico, siempre debe tener precauciones básicas, incluyendo las que se enumeran a continuación:

PELIGRO

PARA DISMINUIR EL RIESGO DE PROVOCAR UN INCENDIO, RECIBIR UNA DESCARGA ELÉCTRICA O LESIONES:

1. No deje la aspiradora Dyson desatendida mientras está enchufada. Desenchufe cuando no la utilice y antes de realizar el servicio.
2. No la use afuera (al aire libre) o sobre superficies húmedas. Adecuada solamente para lugares secos. No utilice para aspirar agua u otros líquidos.
3. No permita que se utilice como un juguete. Es necesaria la atención de un adulto cuando es utilizada por o cerca a un niño. Los niños deben ser supervisados para asegurarse de que no jueguen con la aspiradora Dyson.
4. Esta aspiradora Dyson no fue diseñada para que ser utilizada por niños o personas débiles con capacidades físicas, sensoriales o mentales reducidas, o que carezcan de conocimiento y experiencia al respecto, a menos que sean supervisadas o hayan recibido instrucciones por parte de una persona responsable.
5. Utilice solamente como se describe en este manual. Utilice solamente los accesorios y las piezas de repuesto recomendadas por Dyson. No realice ningún otro mantenimiento que no sea el que se muestra en este manual, o el recomendado por la línea de ayuda de servicio al cliente Dyson. Comuníquese con la línea de ayuda de servicio al cliente Dyson
6. No la utilice si tiene un cable o enchufe dañado. Si la aspiradora Dyson no trabaja como debe o si se ha caído, dañado, dejado a la intemperie, o sumergido en agua, no la utilice y comuníquese con la línea de ayuda de servicio al cliente Dyson. Si el cable se daña, éste debe ser reemplazado por un agente de servicio Dyson autorizado.
7. No utilice el cable como una manija ni tire de él, evite también atrapar el cable al cerrar una puerta o tirar de éste alrededor de esquinas o bordes filosos. No pise el cable con la aspiradora. Mantenga el cable alejado de superficies calientes. Para evitar un peligro de tropiezo enrolle el cable cuando no este en uso.
8. No desconecte el aparato tirando del cable. Para desconectar, tome el enchufe y no el cable.
9. No toque el enchufe o la aspiradora con las manos mojadas.
10. No obstruya las aberturas del aparato con ningún objeto. No utilice el aparato si tiene alguna abertura obstruida; manténgalas libres de polvo, pelusas, cabellos o cualquier otra cosa que pueda reducir la circulación del aire.
11. Mantenga el cabello, ropa suelta, los dedos y cualquier otra parte del cuerpo alejados de las aberturas y de las partes móviles, como el cepillo.
12. Apague todos los controles antes de desconectar el aparato.
13. Tenga mucho cuidado cuando utilice la aspiradora sobre una escalera. No trabaje con la aspiradora Dyson por encima de usted en la escalera.
14. No aspire líquidos inflamables o combustibles como gasolina, ni la utilice en áreas dónde pueda haber este tipo de líquido.
15. No aspire nada que se esté quemando o que emita humo, como cigarrillos, fósforos o cenizas calientes.
16. No utilice la aspiradora si el compartimiento cubo transparent y los filtros no están colocados en su lugar.
17. No es recomendable utilizar una extensión de cable.

CONSERVE ESTAS INSTRUCCIONES

ESTE APARATO ES PARA USO DOMÉSTICO SOLAMENTE

INSTRUCCIONES DE POLARIZACIÓN

Para disminuir el riesgo de choque eléctrico, este aparato lleva un enchufe polarizado (una clavija es más ancha que la otra). Este enchufe se conecta a una toma de corriente polarizada de una sola forma. Si el enchufe no entra totalmente en la toma de corriente, dé la vuelta al enchufe. Si sigue sin entrar bien, póngase en contacto con un electricista calificado para instalar una toma de corriente correcta. No cambie el enchufe de ninguna manera.



No tire del cable.



No guarde la aspiradora cerca de fuentes de calor.



No utilice la aspiradora cerca de una llama.



No pise el cable.



No aspire agua ni ningún tipo de líquido.



No aspire objetos que estén ardiendo.

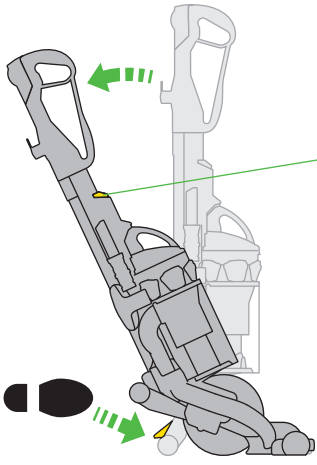


No coloque la aspiradora por encima suyo cuando esté en una escalera.

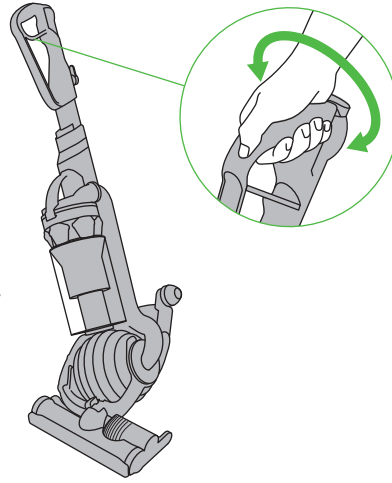


No ponga sus manos cerca del cepillo cuando esté utilizando la aspiradora.

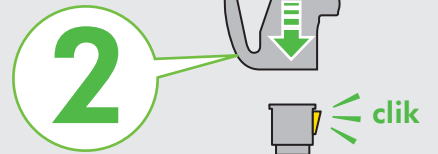
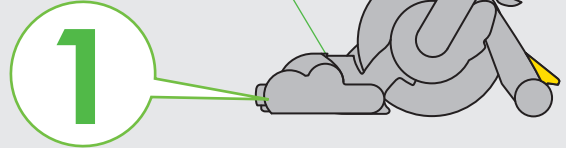
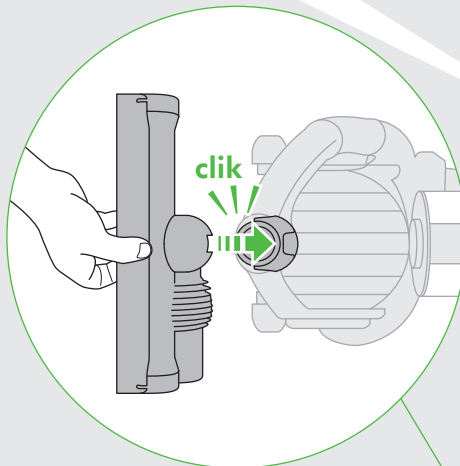
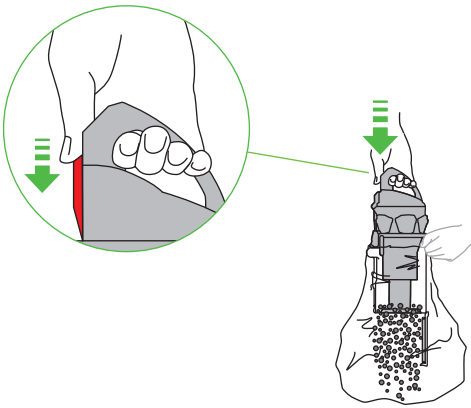
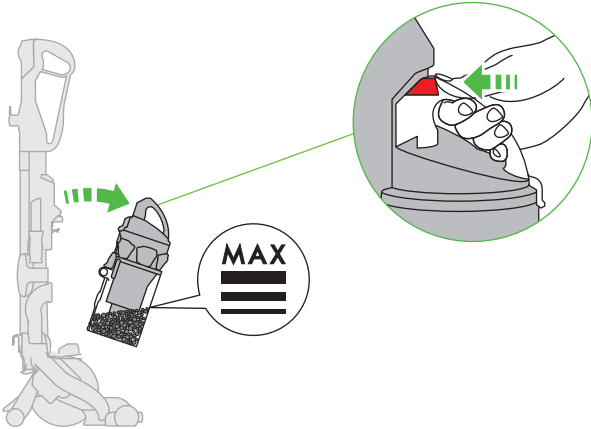
Using your Dyson vacuum • Cómo utilizar su aspiradora Dyson



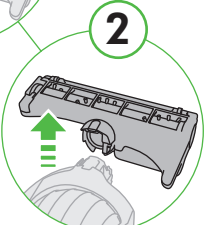
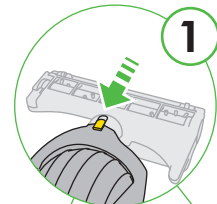
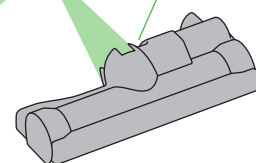
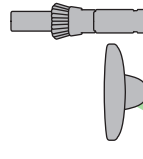
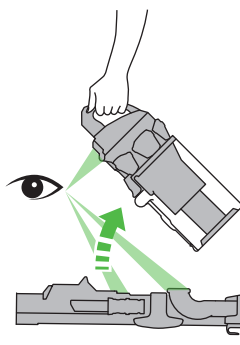
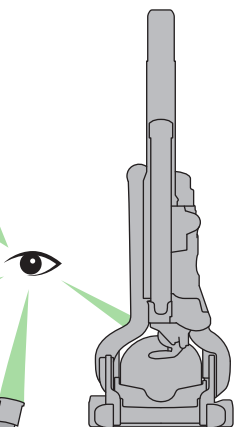
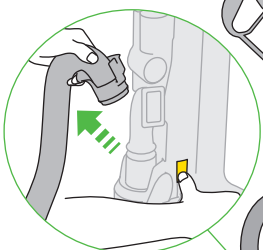
**ON/OFF
ENCENDIDO/
APAGADO**

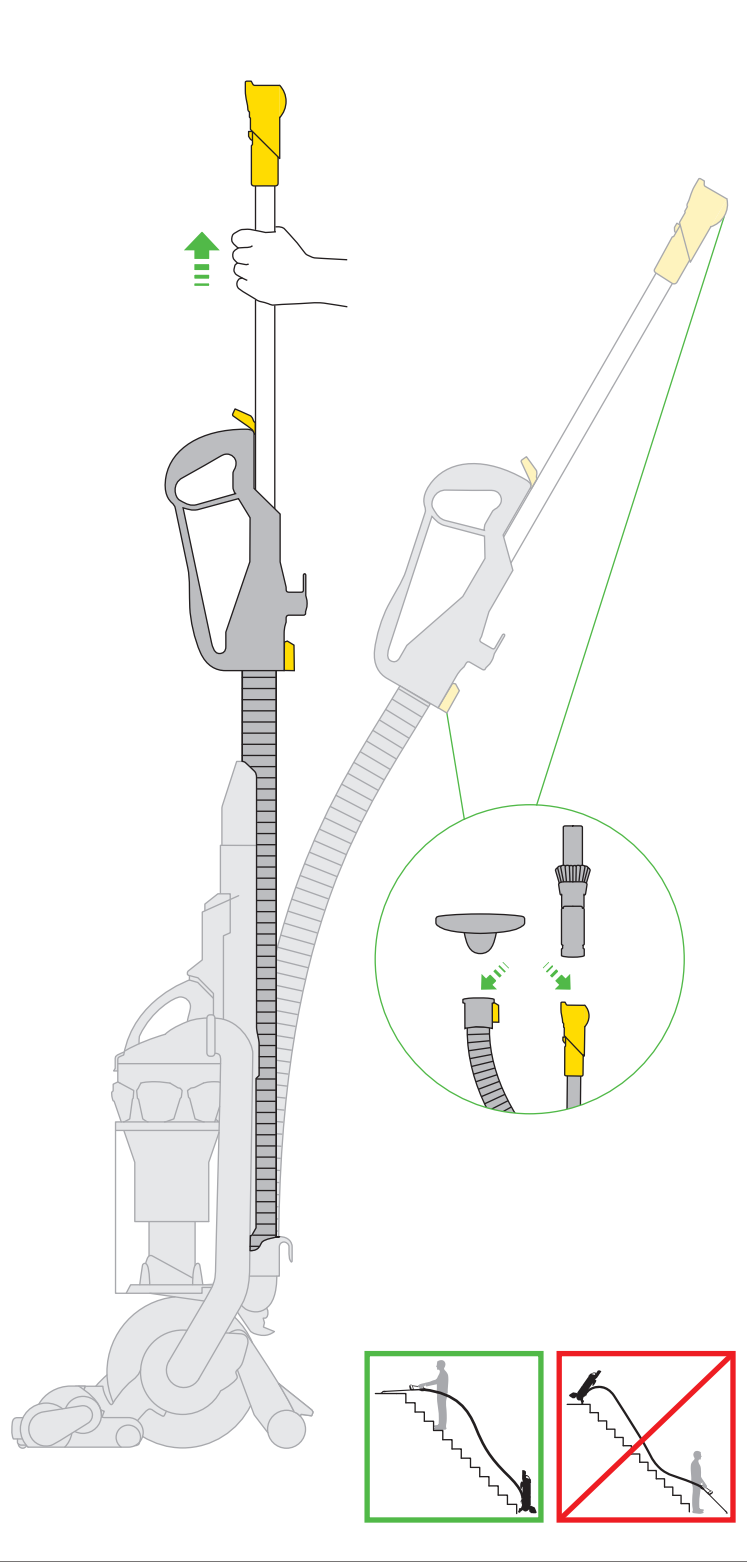
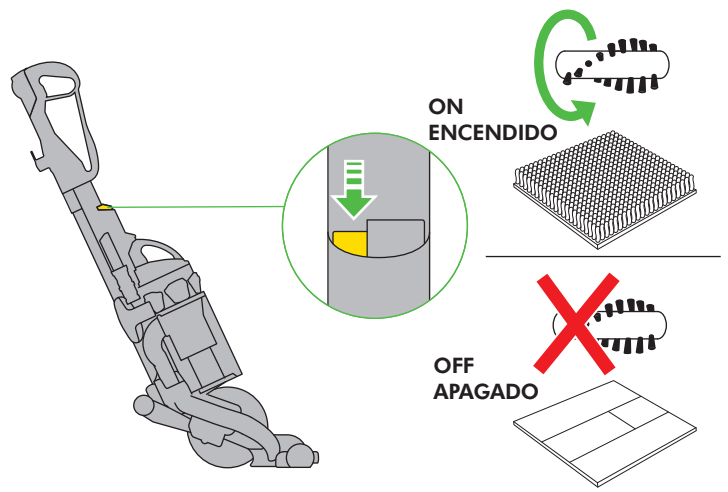


Clear bin emptying • Cómo vaciar el cubo transparente

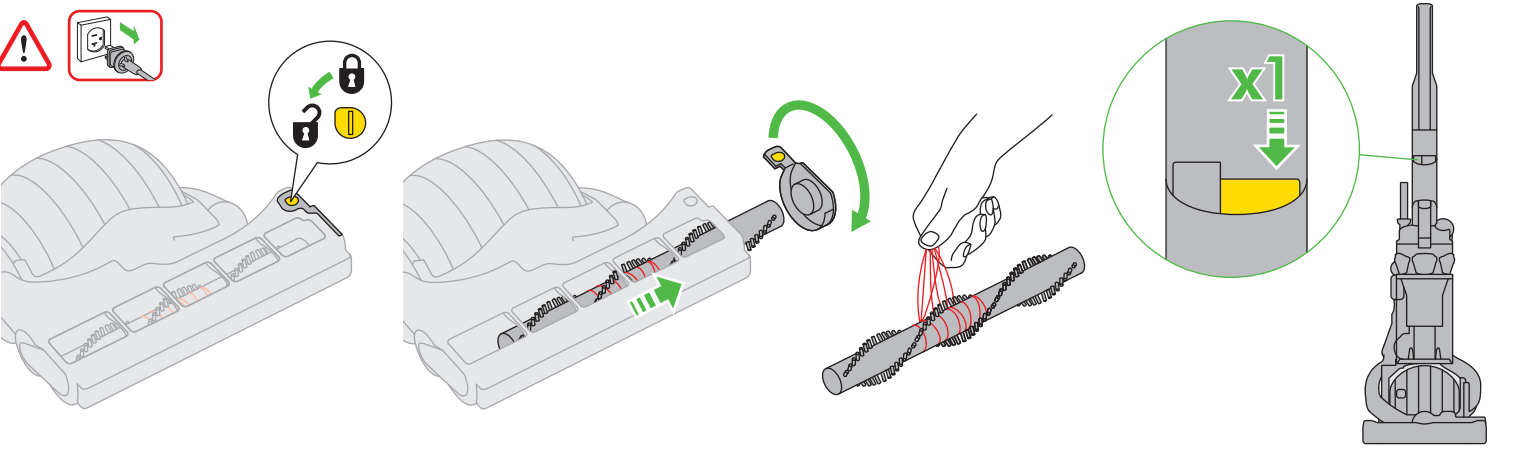
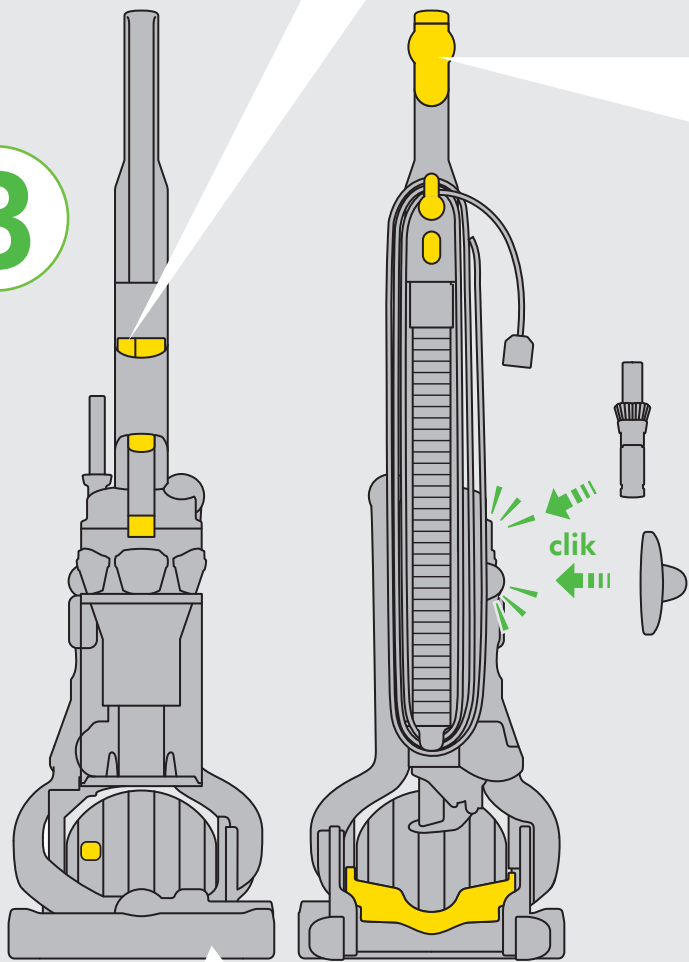


Looking for blockages • Cómo buscar obstrucciones





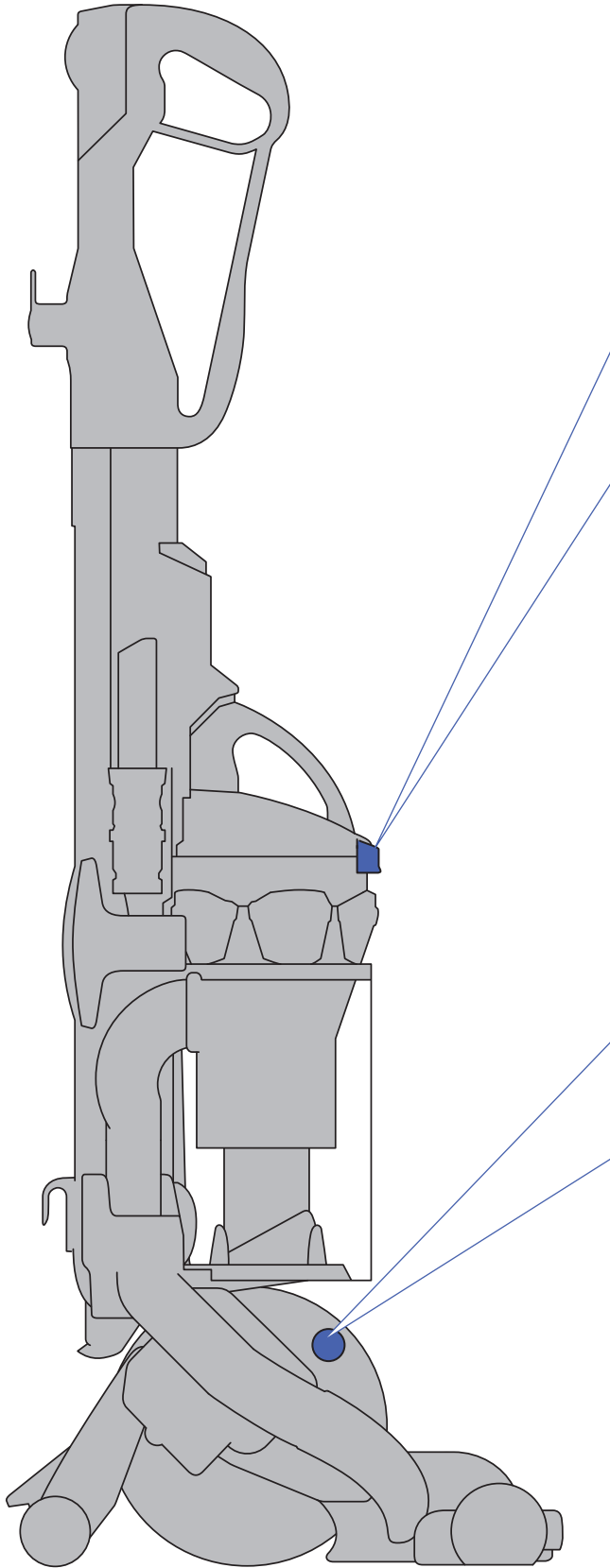
3





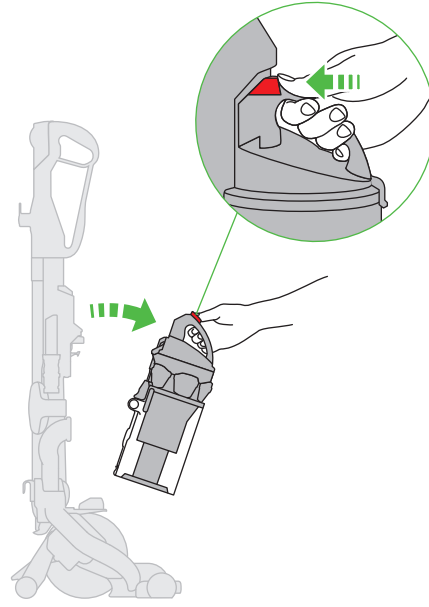
IMPORTANT!

WASH FILTERS



LAVADO DE LOS FILTROS

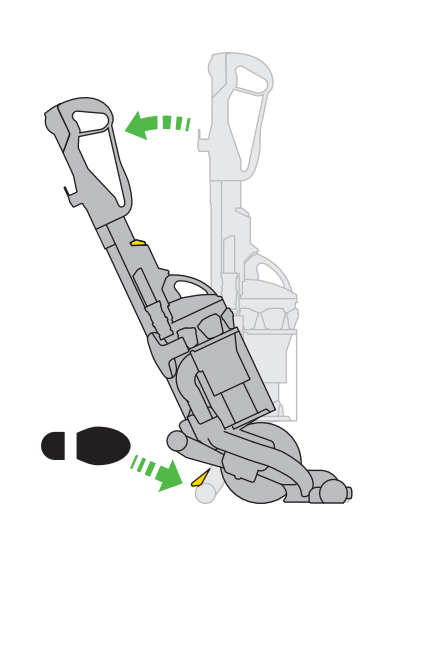


  **Filter • Filtro A**



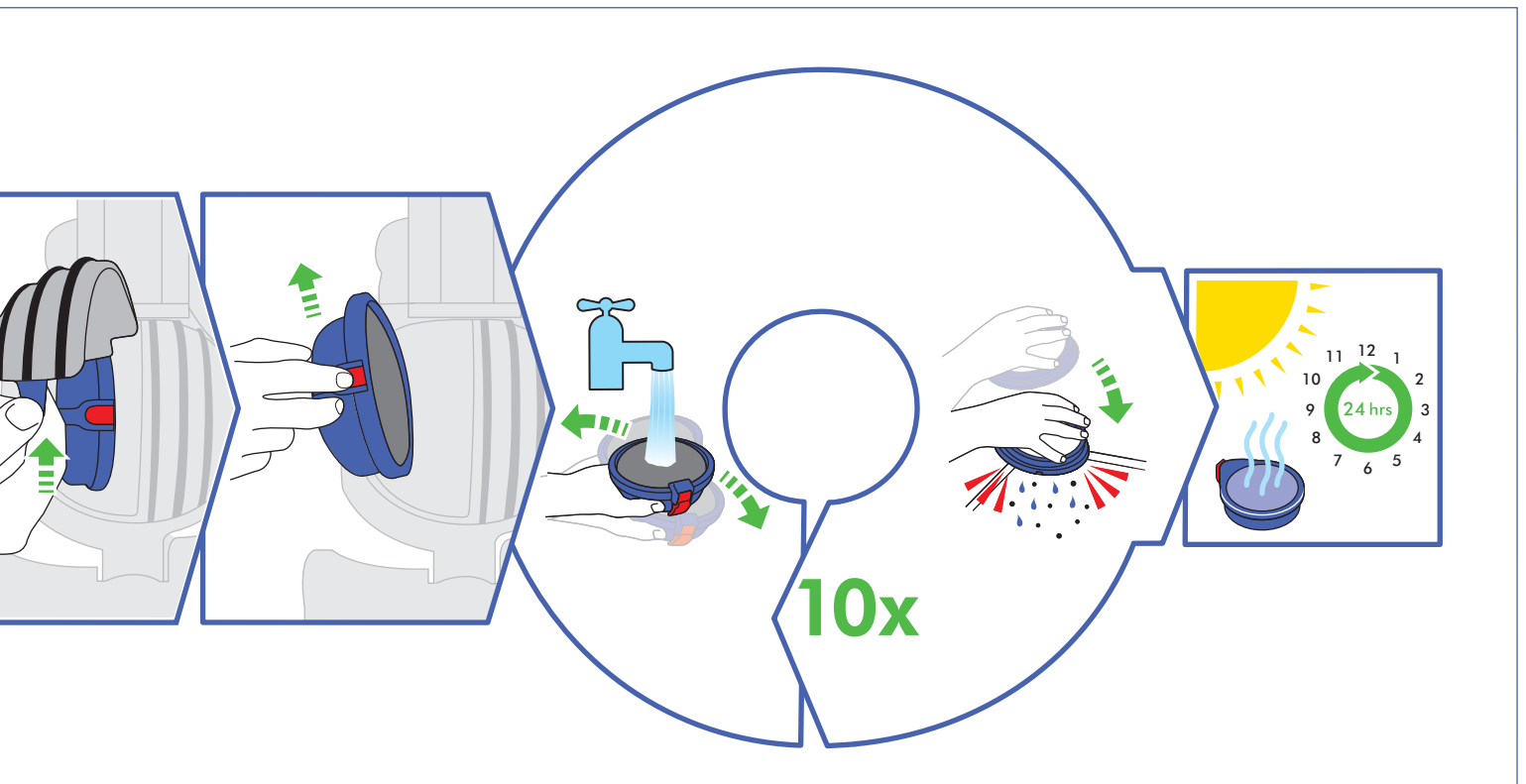
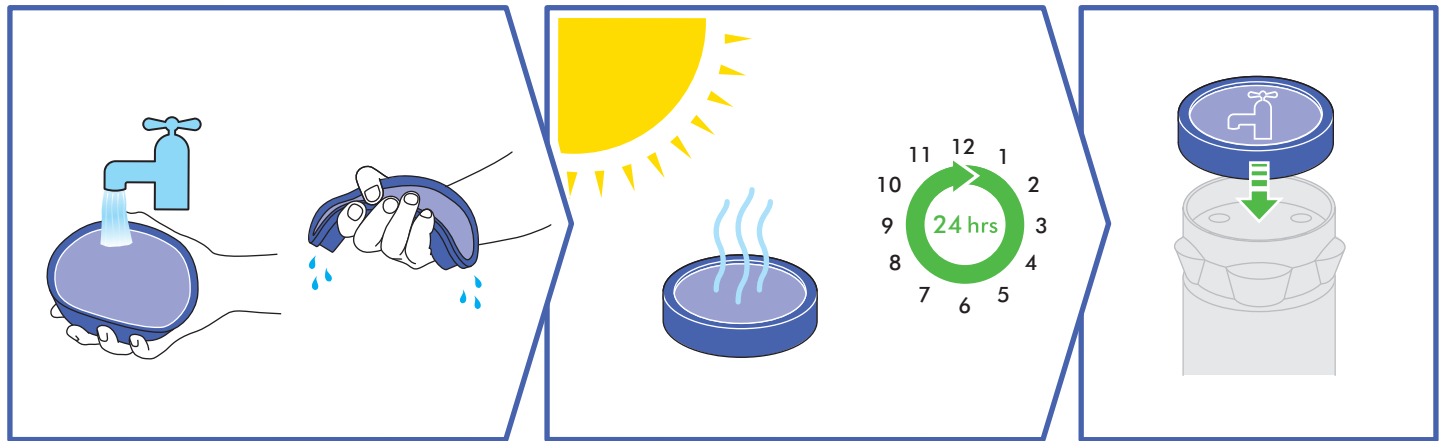
The diagram shows the motor unit being tilted. A hand is shown pulling a blue cap off the top. A circular inset shows a close-up of the cap being lifted. To the right, a separate inset shows the cap being placed into a trash bin.

  **Filter • Filtro B**



The diagram shows the motor housing being tilted. A hand is shown pulling a blue cap off the side. A circular inset shows a close-up of the cap being lifted. To the right, a separate inset shows the cap being placed into a trash bin.

Wash filters with cold water at least every 3 months.
 Lave los filtros con agua fría al menos cada 3 meses.



Rinse and shake filter under tap. Turn over and tap very firmly to remove motor emissions. Repeat 10x or until water runs clear.

Enjuague y mueva el filtro debajo del grifo. De vuelta el filtro y golpéelo firmemente para eliminar las emisiones del motor. Repita 10 veces o hasta que el agua corra limpia.



ASSEMBLY

- Lie vacuum flat and attach cleaner head by sliding it on until it clicks.
- Stand vacuum up straight, attach wand to hose and push into place until it clicks.
- Push wand down into hose and attach tools to the side of the vacuum.

USING YOUR DYSON VACUUM

Press foot pedal and recline handle to use. The stabilizer stand will automatically lift up. To switch 'ON', depress power button in front of handle. After cleaning, push vacuum into an upright position and stabilizer wheels will automatically drop. Use the cyclone carry handle to carry the vacuum.

CAUTION:

- Do not use or store this machine below 32°F (0°C). Ensure that the machine is at room temperature before operating.
- Do not allow the vacuum to be used by anyone who may not be able to operate it safely.
- The use of an extension cord is not recommended.
- Always switch off and unplug the vacuum before performing maintenance on your vacuum.
- When returning to the upright position, ensure that the stabilizer wheels are fully engaged before releasing the vacuum.
- Ensure the cyclone is secured to the vacuum. Do not press the cyclone release button or shake the vacuum while carrying or it could fall and cause injury.
- Store the vacuum indoors. Put the vacuum away after use with the cord coiled safely, to prevent tripping hazards.
- Do not use outdoors or on wet surfaces or to vacuum water or other liquids – electric shock could occur.
- Check to ensure your electricity supply corresponds to that shown on the rating plate, which can be found behind the clear bin. The vacuum must only be used as rated.
- Do not lubricate any parts, or carry out any maintenance or repair work other than that shown in this Dyson Operating Manual, or advised by the Dyson Helpline.

PLEASE NOTE:

- This vacuum is intended for domestic use only. Fine dust such as plaster dust or flour should only be vacuumed in very small amounts.
- Do not use the vacuum to pick up sharp hard objects, small toys, pins, paper clips, etc. They may damage the vacuum.
- Consult your flooring manufacturer's recommended instructions before vacuuming and caring for your flooring, rugs, and carpet. The brush bar on the machine can damage certain carpet types and floors.
- If unsure turn brush bar off in order to enable proper operation. Some carpets will fuzz if a rotating brush bar is used when vacuuming. If this happens, we recommend vacuuming in bare floors mode and consulting with your flooring manufacturer.
- When vacuuming, certain carpets may generate small static charges in the clear bin or wand. These are entirely harmless and are not associated with the electricity supply. To minimize any effect from this, do not put your hand or insert any object into the clear bin unless you have first emptied it and rinsed it out with cold water (see 'clear bin cleaning section').

CARPETS/HARD FLOORS

The brush bar will always default to 'ON' (spinning) each time you switch on the vacuum and recline it for cleaning. The brush bar will automatically stop if it becomes obstructed. If the brush bar stops during use, please refer to the 'Clearing brush bar obstructions' section.

To switch the brush bar off (e.g. for hard floors), recline the vacuum and turn it 'ON', then press the brush bar 'ON/OFF' button – the brush bar will stop spinning.

HIGH-REACH CLEANING

CAUTION:

- Switch 'OFF' vacuum before changing tools.
- Powerful suction can cause the hose to 'pull back' - please take care.
- Take extra care when vacuuming on stairs; do not work with the vacuum above you on the stairs. Do not put the vacuum on chairs, tables etc.
- Ensure vacuum is in upright position before using tools.

PLEASE NOTE:

- To release the wand, open the wand cap and pull the red tube until the wand releases from the vacuum. Tools can be attached to either the hose or wand.
- The brush bar will not rotate when the vacuum is in an upright position.
- Ensure wand cap is closed when not in use.

CLEAR BIN EMPTYING

CAUTION:

PLEASE NOTE:

- Switch 'OFF' vacuum and unplug the vacuum before emptying the clear bin
- Empty as soon as the dirt reaches the level of the MAX mark – do not overfill. To remove the clear bin from the vacuum press the button at rear of cyclone carrying handle. To release the dirt, press the red clear bin release button.
- Do not use the vacuum without the clear bin in place.
- To minimize dust/allergen contact when emptying, encase bin tightly in a plastic bag and empty. Remove bin carefully and seal bag tightly, dispose as normal.

CLEAR BIN CLEANING

CAUTION:

- Do not immerse the whole cyclone in water or pour water into the cyclones.
- Ensure the clear bin is completely dry before replacing.

PLEASE NOTE:

- Do not use detergents, polishes or air fresheners to clean the clear bin.
- Do not put the bin in a dishwasher.
- When vacuuming, certain carpets may generate small static charges in the clear bin. These are entirely harmless and are not associated with the mains supply. To minimize any effect from this, do not put your hand or insert any object into the clear bin unless you have first emptied it and rinsed it out with cold water.
- Clean the shroud with a cloth or dry brush to remove lint and dust.

WASHING YOUR FILTERS

DO THIS EVERY 3 MONTHS

CAUTION:

- Switch 'OFF' and unplug the vacuum before removing the filters.
- Ensure filters are completely dry before refitting to the vacuum.

PLEASE NOTE:

- This vacuum has two filters, located as shown. It is important to check your filters regularly and wash at least every 3 months according to instructions, to maintain performance.
- The filter in the ball should be rinsed and tapped out until the water runs clean, then tapped out again to ensure all excess water is removed. Please leave to dry completely for 24 hours.
- It is normal for this filter in the ball to turn grey in color. The filters may require more frequent washing if vacuuming fine dust.
- Do not use detergents to clean the filters.
- Do not put the filters in a dishwasher, washing machine, tumble dryer, oven, microwave or near an open flame.

LOOKING FOR BLOCKAGES

CAUTION:

- Switch 'OFF' and unplug the vacuum before checking for blockages. Failure to do so could result in personal injury.
- Please ensure the vacuum is upright and switched off before removing hose or airway inspection parts.
- Beware of sharp objects when clearing blockages.
- Refit all parts of the vacuum securely before using.

PLEASE NOTE:

- Clearing blockages is not covered by your vacuum's limited warranty.
- This vacuum is fitted with a thermal cut-out. If any part of your vacuum becomes blocked, it may overheat and then automatically shut off. Switch 'OFF' and unplug the vacuum and leave to cool down for at least 60 minutes before attempting to check filters or for blockages. Clear blockage before restarting.

CLEARING BRUSH BAR OBSTRUCTIONS

CAUTION:

- Switch off and unplug the vacuum before clearing brush bar obstructions. Failure to do so could result in personal injury.
- If your brush bar is obstructed, it may shut off. If this happens you will need to remove the brush bar as shown and clear any obstructing debris. Refit all parts securely before use.
- Beware of sharp objects when clearing obstructions.
- Refit all parts of the vacuum securely before using.

PLEASE NOTE:

- Clearing the brush bar obstructions is not covered by your vacuum's limited warranty.

DYSON CUSTOMER CARE

THANK YOU FOR CHOOSING TO BUY A DYSON VACUUM

If you have a question about your Dyson vacuum, call the Dyson Helpline at 1-866-277-4649 with your serial number and details of where and when you bought the vacuum. Your serial number can be found on the rating plate, which is behind the clear bin. Most questions can be solved over the phone by one of our Dyson Helpline staff. If your vacuum needs service, call the Dyson Helpline so we can discuss the available options. If your vacuum is under warranty, and it is a covered repair, it will be repaired at no cost.

DYSON HELPLINE

Call 1-866-277-4649 toll free, 7 days a week.

PLEASE REGISTER AS A DYSON VACUUM MACHINE OWNER

To help us ensure you receive prompt and efficient service, please register as a Dyson vacuum machine owner. There are three ways to do this:

- Online at www.dyson.com
 - By calling the Dyson Helpline: 1-866-277-4649.
 - By completing and returning the attached Warranty Form to us by mail.
- This will confirm ownership of your Dyson vacuum in the event of an insurance loss, and enable us to contact you if necessary.

5 YEAR WARRANTY

Terms and conditions of the Dyson 5 year limited warranty.

WHAT IS COVERED

Your Dyson vacuum is warranted against original defects in material and workmanship for a period of five years from the date of purchase, when used for private household purposes in accordance with the operating manual. This warranty provides, at no extra cost to you, all labor and parts necessary to ensure your vacuum is in proper operating condition during the warranty period. This limited warranty is subject to the following terms:

WHAT IS NOT COVERED

Dyson, Inc. shall not be liable for costs, damages or repairs incurred as a result of:

- Vacuums purchased from an unauthorized dealer.
- Clearing blockages from your vacuum.
- Use of parts not in accordance with the Dyson Operating Manual.
- Careless operation or handling, misuse, abuse and/or lack of maintenance or use not in accordance with the Dyson Operating Manual.
- External sources such as weather.
- Repairs or alterations carried out by unauthorized parties or agents.
- Use of the vacuum other than for normal domestic purposes within the United States, e.g. for commercial or rental purposes.
- Normal wear and tear, including normal wearing parts, such as clear bin, belt, filter, brush bar, hose assembly and power cord (or where external damage or abuse is diagnosed), carpet or floor damage due to use not in accordance with manufacturers instructions or failure to turn the brush bar off when necessary.
- Use of parts and accessories other than those produced or recommended by Dyson, Inc.

WARRANTY SERVICE

- Please fill out and return the Warranty Form, or register online at www.dyson.com
- Before service can take place, the terms of the limited warranty require that you contact the Dyson Helpline with your model name/number, serial number, date and place of purchase. Please keep your purchase receipt in a safe place to ensure you have this information. The serial number is found on the vacuum's rating plate, which is behind the clear bin.
- All work will be carried out by Dyson, Inc. or its authorized agents.
- Any replaced defective parts will become the property of Dyson, Inc.
- Service under this warranty will not extend the period of this warranty.
- If your vacuum is not functioning properly, please call the Dyson Helpline at 1-866-277-4649. Most issues can be rectified over the telephone by our trained Customer Care staff. If this is not possible Dyson, Inc. will arrange for your vacuum to be repaired and returned in full working order at no extra cost to yourself.

WARRANTY LIMITATIONS AND EXCLUSIONS

- Any implied warranties relating to your vacuum, including but not limited to warranty of merchantability or warranty of fitness for a particular purpose, are limited to the duration of this warranty. This limitation is not allowed by some States and so this limitation may not apply to you.
- Your remedy for breach of this warranty is limited to the warranty service described above. Dyson, Inc. will not be liable for any consequential damages or incidental damages you may incur in connection with your purchase and use of your vacuum. This limitation is not allowed by some States and so this limitation may not apply to you.
- This limited warranty gives you specific legal rights. You may also have other rights which vary by State.
- This limited warranty is not transferable.

IMPORTANT DATA PROTECTION INFORMATION

- If you choose to opt-in to receive communications from us, your details will be held by Dyson or others on behalf of Dyson so that we can assist you more quickly with our Dyson Helpline. From time to time, Dyson may send you special offers and news of our latest innovations.
- For more information about our data collection practices, please refer to the Dyson privacy policy at www.dyson.com/privacy

DISPOSAL INFORMATION

Dyson products are made from high grade recyclable materials and so should not be treated as household waste. To protect the environment please dispose of this product responsibly and recycle where possible.

PRODUCT INFORMATION:

Net weight: 16.12lbs (7.30kg).

Please note: Small details may vary from those shown.

CÓMO ARMAR LA ASPIRADORA

- Coloque el aparato en posición horizontal y conecte el cabezal limpiador deslizándolo hasta que haga clic.
- Coloque la aspiradora en posición vertical, conecte el tubo a la manguera y empújelo hasta que haga clic.
- Presione al tubo dentro de la manguera y agréguele las herramientas a un costado del aparato.

CÓMO UTILIZAR SU ASPIRADORA DYSON

Para comenzar a usar el aparato, presione el pedal con el pie e incline la manija. La base estabilizadora se elevará automáticamente. Para encender, presione el botón que se encuentra enfrente de la manija. Cuando termine de utilizar la aspiradora, colóquela en posición vertical y las ruedas del estabilizador dejarán de funcionar automáticamente. Utilice la manija del extractor de polvo para trasladar la aspiradora.

⚠ ADVERTENCIA:

- No use o guarde esta máquina en un lugar con temperatura por debajo de 32°F (0°C). Antes de operar la máquina asegúrese de que está a temperatura ambiente.
- No permita que la aspiradora sea usada por alguien que no esté capacitado para operarla de manera segura.
- No es recomendable utilizar una prolongación de cable.
- Siempre apague y desconecte el aparato antes de realizar cualquier tipo de mantenimiento.
- Cuando vuelva a colocar la aspiradora en posición vertical, asegúrese de que las ruedas del estabilizador estén engranadas por completo antes de soltar la aspiradora.
- Asegúrese de que el extractor de polvo esté bien conectado a la máquina. No presione el botón para soltar el extractor de polvo ni sacuda el aparato mientras lo transporta porque el mismo podría caerse y dañarse.
- Guarde la aspiradora bajo techo. Luego de ser utilizada, guarde la aspiradora con el cable apropiadamente enrollado para evitar posibles tropezones.
- No la utilice al aire libre, ni sobre superficies húmedas, ni para aspirar agua u otros líquidos, ya que podría recibir un choque eléctrico.
- Compruebe que la corriente eléctrica se corresponda con la que figura en la placa de calificación, la cual se encuentra detrás del cubo transparente. La máquina sólo debe utilizarse conforme a las características técnicas.
- No lubrique ninguna parte del aparato ni intente repararlo o realizar cualquier otro tipo de mantenimiento que no se encuentre en este manual o que no haya sido indicado por la línea de ayuda de Dyson.

RECUERDE:

- Este aparato es para uso doméstico solamente. Sólo deben aspirarse cantidades pequeñas de polvo fino como por ejemplo residuos de yeso o harina.
- No utilice la máquina para recoger objetos duros cortantes, juguetes pequeños, alfileres, sujetapapeles, etc., ya que podrían dañar la máquina.
- Consulte las instrucciones recomendadas por el fabricante de su piso antes de aspirar y cuidar sus pisos y alfombras. El cepillo de esta aspiradora puede dañar ciertos tipos de alfombra y pisos.
- Si esta inseguro, apague el cepillo para asegurar la operación apropiada. Algunas alfombras formarán pelusa si utiliza el cepillo rotatorio mientras aspira. Si esto sucede, recomendamos aspirar en el modo de pisos expuestos y consultar con el fabricante de su piso.
- Al aspirar, algunas alfombras pueden generar pequeñas descargas de estática en el cubo transparente o en el tubo. Éstas son totalmente inofensivas y no están asociadas al suministro de corriente eléctrica. Para minimizar sus efectos, no coloque su mano ni introduzca ningún objeto en el cubo transparente, a menos que primero lo haya vaciado y lavado con agua fría.

ALFOMBRAS O PISOS DUROS

El cepillo estará en "ON" (girar) por defecto cada vez que encienda la aspiradora y la recline para limpiar. El cepillo se detendrá automáticamente si se obstruye con algo. Si el cepillo se detiene mientras la aspiradora está en funcionamiento, vea la sección "Cómo liberar las obstrucciones del cepillo". Para apagar el cepillo (por ejemplo, para limpiar pisos duros), recline la aspiradora y enciéndala, luego presione el botón "ON/OFF" del cepillo y éste dejará de girar.

TUBO TELESCÓPICO AJUSTABLE A LA LONGITUD REQUERIDA

⚠ ADVERTENCIA:

- Apague la aspiradora antes de cambiar las herramientas.
- Si el aparato aspira a la máxima potencia, la manguera puede retraerse. Tenga mucho cuidado.
- Tenga mucho cuidado cuando utilice la aspiradora sobre una escalera y no la coloque encima suyo. No suba la aspiradora a sillas, mesas, etc.
- Asegúrese de que la máquina esté en posición vertical antes de usar las herramientas.

RECUERDE:

- Para soltar el tubo, abra la tapa y tire del tubo rojo hasta que el tubo de aspiración quede liberado del sistema de vacío. Las herramientas pueden ser colocadas tanto en el tubo como en la manguera.
- El cepillo no rotará cuando la máquina está en posición vertical.
- Asegúrese de que la tapa del tubo esté cerrada cuando no se use.

CÓMO VACIAR EL CUBO TRANSPARENTE

⚠ ADVERTENCIA:

RECUERDE:

- Apague la máquina aspiradora y desconéctela ("OFF") antes de vaciar el compartimiento.
- Vacíe el compartimiento cuando la basura llegue al nivel máximo. Evite sobrecargarlo. Para quitar el cubo transparente de la máquina, presione el botón que está detrás de la manija extractora de polvo para trasladar la aspiradora. Para tirar la basura, presione el botón rojo para soltar el extractor de polvo.
- No utilice la aspiradora si el cubo transparente no está colocado.
- Para minimizar el contacto con el polvo y alérgenos, fije en el cubo una bolsa de plástico y vacíelo en ella. Quite el cubo con cuidado y cierre la bolsa fuertemente, deshágase de la bolsa.

CÓMO LIMPIAR EL CUBO TRANSPARENTE

⚠ ADVERTENCIA:

- No sumerja totalmente el extractor de polvo en agua ni ponga agua dentro de éste.
- Asegúrese de que el compartimiento esté totalmente seco antes de colocarlo.

RECUERDE:

- No utilice detergente, líquido para encerrar ni desodorante de ambientes para limpiar el compartimiento.
- No limpie el compartimiento en un lavavajillas. Al aspirar, algunas alfombras pueden generar pequeñas descargas de estática en el cubo transparente. Éstas son totalmente inofensivas y no están asociadas al suministro de corriente eléctrica. Para minimizar sus efectos, no coloque su mano ni introduzca ningún objeto en el cubo transparente, a menos que primer
- Limpie la rejilla con un paño o un cepillo seco para eliminar la pelusa y el polvo.

CÓMO LAVAR LOS FILTROS

HAGA ESTO CADA 3 MESES

⚠ ADVERTENCIA:

- Apague la aspiradora y desconéctela antes de quitar los filtros.
- Asegúrese de que los filtros estén totalmente secos antes de volver a colocarlos en la aspiradora.
- Esta aspiradora tiene dos filtros, ubicados como se muestra en las ilustraciones. Es importante controlar los filtros con regularidad y lavarlos al menos cada tres meses de acuerdo con las instrucciones, para mantener el funcionamiento del aparato.
- El filtro que se encuentra en la parte inferior debe ser enjuagado y vaciado hasta que el agua corra limpia, y luego debe vaciarse una vez más para asegurarse de que no quede nada de agua en el interior. Para ello, el filtro deberá ser enjuagado hasta diez veces. Déjelo secar por completo durante 24 horas.
- Es normal que el filtro que se encuentra en la parte inferior se vuelva de color gris. Si se aspira polvo fino, será necesario lavar los filtros con mayor frecuencia.
- No use detergentes para limpiar los filtros.
- No coloque los filtros en el lavavajillas, el lavarropas, la secadora, el horno, el microondas o cerca del fuego.

CÓMO BUSCAR OBSTRUCCIONES

⚠ ADVERTENCIA:

- Apague la aspiradora y desconéctela antes de buscar obstrucciones. Si no lo hace, podría sufrir lesiones.
- Por favor asegúrese de que el aparato esté en posición vertical y apagado antes de quitar el tubo o las partes de ventilación.
- Tenga cuidado al utilizar objetos filosos para sacar las obstrucciones.
- Coloque todas las partes de la aspiradora correctamente antes de utilizarla.

RECUERDE:

- Su garantía limitada no cubre la eliminación de obstrucciones.
- Este aparato posee un sistema de desconexión térmica. Si alguna parte de la aspiradora se obstruye, ésta puede recalentarse y apagarse automáticamente. Apague la aspiradora con la opción "OFF", desconéctela y deje que se enfríe durante por lo menos 60 minutos antes de controlar los filtros o buscar obstrucciones.

SERVICIO DE ATENCIÓN AL CLIENTE DYSON

GRACIAS POR ELEGIR COMPRAR UNA ASPIRADORA DYSON

Si tiene alguna duda acerca de su aspiradora Dyson, llame a la línea de ayuda de Dyson al 1-866-277-4649 con el número de serie e información de cuándo y dónde compró el producto. Encontrará el número de serie en la placa de datos de calificación que se encuentra detrás del compartimiento cubo transparente. Si tiene más preguntas, puede consultar por teléfono a algún miembro de la línea de ayuda. Si su aspiradora necesita reparación llame a la Línea de ayuda de Dyson para poder analizar las opciones disponibles. Si su aspiradora tiene garantía y la reparación necesaria está incluida dentro de esa garantía, se reparará sin costo alguno.

LÍNEA DIRECTA DE ASISTENCIA AL CLIENTE DE DYSON

Llame al 1-866-277-4649, gratis, los 7 días de la semana.

POR FAVOR REGÍSTRESE COMO PROPIETARIO DE UNA ASPIRADORA DYSON

Para ayudarnos a asegurarle que reciba un servicio rápido y eficaz, por favor regístrese como propietario de una aspiradora Dyson. Hay tres maneras de hacerlo:

- En línea en www.dyson.com
- Llamando gratis a la línea de ayuda de Dyson: 1-866-277-4649.
- Completando y enviándonos por correo el formulario que se adjunta. Esto confirmará que la aspiradora Dyson es de su propiedad en caso de que ocurra una pérdida cubierta por el seguro, y nos permitirá contactarle si fuese necesario.

5 AÑOS DE GARANTÍA

Términos y condiciones de la garantía limitada de 5 años de Dyson.

QUÉ ESTÁ CUBIERTO

Su aspiradora Dyson está garantizada contra defectos originales de material o mano de obra por un período de cinco años a partir de la fecha de compra, cuando se utilice para fines domésticos privados y de acuerdo con el Manual de Instrucciones de Dyson. Esta garantía proporciona, sin costo para usted, toda la mano de obra y piezas para poner su aspiradora en perfectas condiciones de funcionamiento durante el plazo de garantía. Esta garantía está sujeta a los siguientes términos:

QUÉ NO ESTÁ CUBIERTO

Dyson, Inc. no será responsable de los costos incurridos como resultado de:

- Aspiradoras compradas a proveedores no autorizados.
- Eliminar obstrucciones de su máquina.
- El uso de piezas que no estén contempladas en el Manual de Instrucciones.
- El funcionamiento o manejo descuidado, uso indebido y/o falta de mantenimiento o el uso de forma contraria al Manual de Instrucciones.
- Factores externos, como por ejemplo el clima.
- Reparaciones o alteraciones llevadas a cabo por partes o agentes no autorizados.
- El uso de la aspiradora contrario a los usos domésticos normales dentro de los Estados Unidos de América, por ejemplo, para el uso comercial o alquiler.
- Uso y desgaste normal, incluido desgaste normal de partes como cubo transparente banda, filtro, cepillo, ensamble de la manguera, y cable de corriente (o donde se diagnostique daño o abuso externo), daño a la alfombra o piso debido al uso no de acuerdo con las instrucciones del fabricante dado al caso de no apagar el cepillo cuando es necesario.
- El uso de piezas y accesorios que no sean los producidos o recomendados por Dyson, Inc.

SERVICIO DE GARANTÍA

- Por favor complete y devuelva el Formulario de registro del producto, o regístrese en línea en www.dyson.com
- Antes de poder realizar el servicio, los términos de la garantía exigen que se ponga en contacto con la Línea Directa de Asistencia al Cliente de Dyson y que proporcione el nombre/número del modelo, número de serie, y la fecha y sitio de compra. Por favor mantenga la factura de compra en un sitio seguro para asegurarse de tener esta información. El número de serie se encuentra en la placa de calificación de la aspiradora, que se encuentra en el cuerpo principal de la máquina, detrás del cubo transparente.
- Todo el trabajo lo llevará a cabo Dyson, Inc. o sus agentes autorizados.
- El cambio de cualquier pieza defectuosa no extenderá el período de la misma.
- El servicio según esta garantía no extenderá el período de esta garantía.
- Si su aspiradora no funciona correctamente, por favor llame a la Línea Directa de Asistencia al Cliente de Dyson por el 1-866-277-4649. La mayoría de los problemas pueden solucionarse por teléfono a través de nuestro personal capacitado en atención al cliente. Si esto no es posible, Dyson, Inc. hará que se repare y se le devuelva su aspiradora en perfectas condiciones sin costo adicional para usted.

LIMITACIONES Y EXCLUSIONES DE LA GARANTÍA

- Cualquier garantía implícita relacionada con su aspiradora, incluyendo pero sin limitarse a una garantía de comerciabilidad o garantía de idoneidad para un propósito en particular, se limita a la duración de esta garantía. Esta limitación no está permitida por algunos estados, por lo que esta limitación puede no aplicarse a usted.
- El recurso por el incumplimiento de esta garantía se limita al servicio de garantía descrito anteriormente. Dyson, Inc. no será responsable de ningún daño consecuente o incidental en el que se pueda incurrir en conexión con la compra y uso de su aspiradora. Esta limitación no está permitida por algunos estados, por lo que esta limitación puede no aplicarse a usted.
- Esta garantía le otorga derechos legales específicos.

INFORMACIÓN IMPORTANTE PARA LA PROTECCIÓN DE DATOS

- Si opta por recibir nuestras comunicaciones, sus datos personales serán conservados por Dyson, o terceros en representación de Dyson, de manera que nuestra línea directa de Asistencia al Cliente Dyson pueda ayudarlo con mayor rapidez. En ocasiones, es posible que Dyson le envíe ofertas especiales y noticias sobre nuestras más recientes innovaciones.
- Para obtener más información acerca de nuestras prácticas de recopilación de datos, consulte la política de privacidad de Dyson en www.dyson.com/privacy

INFORMACIÓN DE ELIMINACIÓN DE RESIDUOS

Los productos Dyson están hechos a partir de materiales reciclables de alta calidad y, por tanto, no deben tratarse como residuos domésticos. Para proteger el medio ambiente, deseche este producto de forma responsable y recíclolo siempre que sea posible.

INFORMACIÓN ACERCA DEL PRODUCTO:

Peso neto: 16.12lbs (7.30kg).

Recuerde: El producto puede diferir en algunos pequeños detalles en comparación con las ilustraciones.

IMPORTANT!

WASH FILTERS

LAVADO DE LOS FILTROS



Wash filters with cold water at least every 3 months.
Lave los filtros con agua fría al menos cada 3 meses.



Dyson Helpline
1-866-277-4649
Toll free, 7 days a week

Servicio de atención al cliente Dyson
1-866-277-4649
Llamada gratuita, 7 días a la semana



WARRANTY FORM CONTINUED CONTINUACIÓN DEL FORMULARIO DE GARANTÍA

Please take a few moments to answer our questions.
They will help us develop new products for the future.

Tómese unos instantes para responder a nuestras preguntas.
Esto nos ayudará a desarrollar nuevos productos en el futuro.

1. Why did you decide to buy a Dyson vacuum?

- Cleaning performance
- Advanced Technology/ Features
- Style / Design
- Warranty
- Recommendation
- Promotion
- No loss of suction
- Asthma and allergy certification
- HEPA filtration

2. Do you own pets?

- Cat / Dog
- Other
- None

3. Would you like to hear about future asthma and allergy related initiatives or product development at Dyson?

- Yes
- No

1. ¿Por qué decidió comprar una aspiradora Dyson?

- Capacidad de limpieza
- Tecnología avanzada / Funciones
- Estilo / Diseño
- Garantía
- Recomendación
- Promoción
- No pierde succión
- Certificación para asma y alergia
- Filtro HEPA

2. ¿Tiene mascotas?

- Gato / Perro
- Otra
- Ninguna

3. ¿Le gustaría saber sobre el desarrollo de productos o las futuras iniciativas en cuanto a asma y alergia en Dyson?

- Sí
- No

THANK YOU FOR YOUR TIME • GRACIAS POR DEDICARNOS SU TIEMPO



