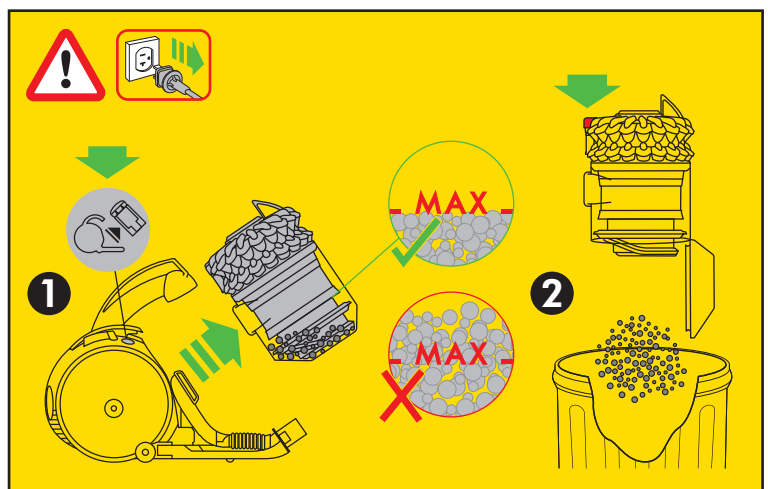
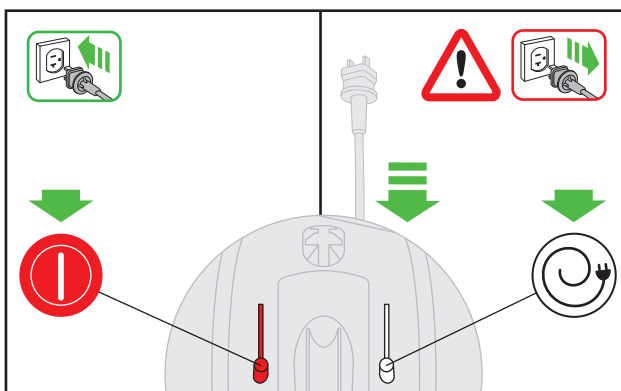
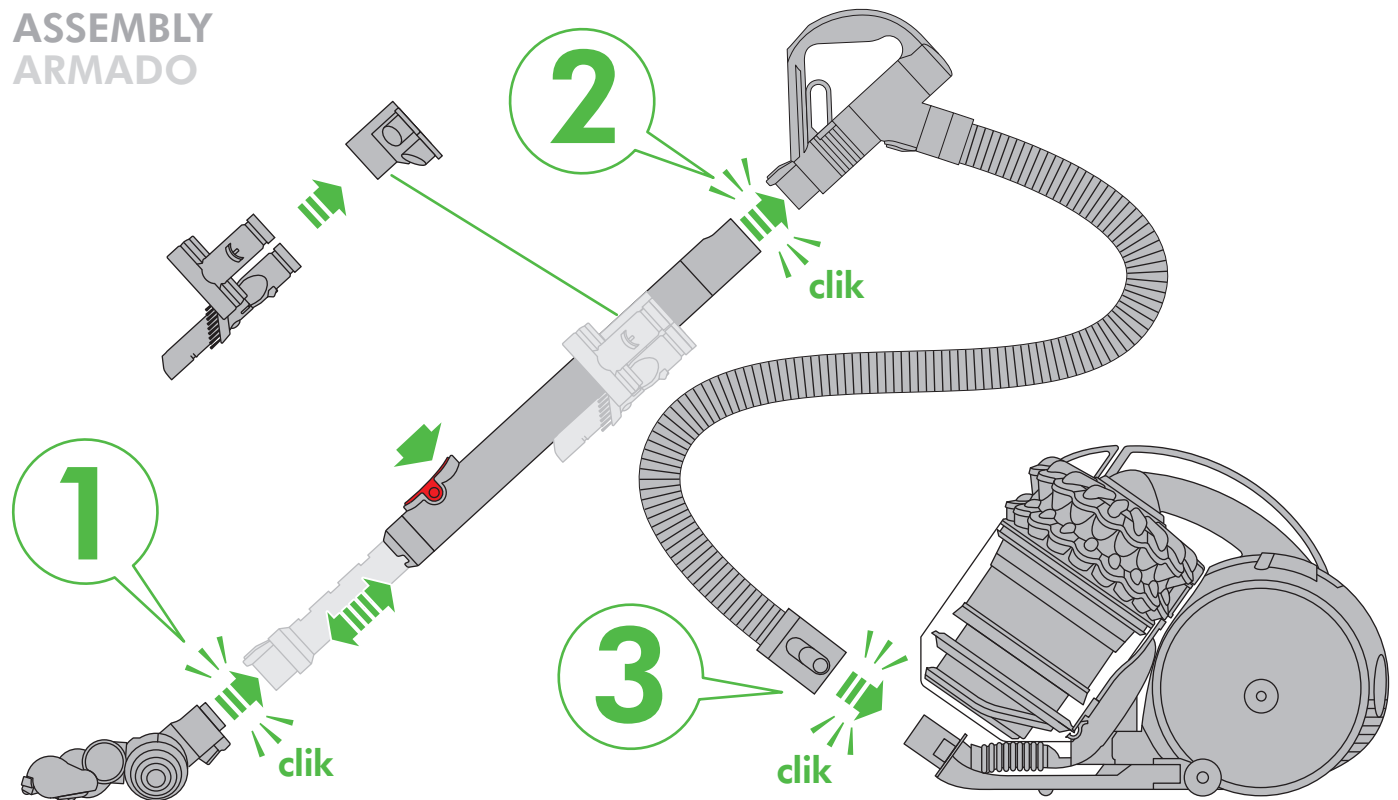


ASSEMBLY ARMADO

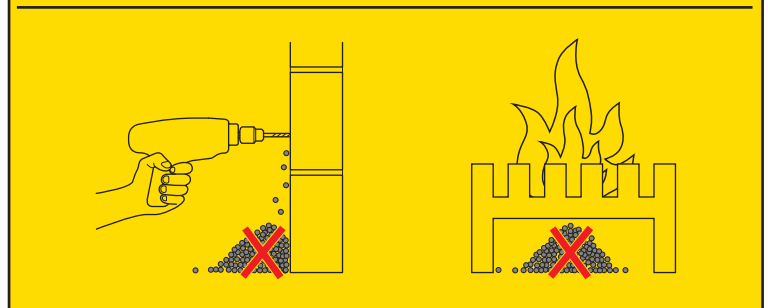


REGISTER TODAY

3 easy ways to register
your 5 year warranty.

REGISTRE HOY

3 maneras fáciles de registrarse
sus 5 años de garantía.



IMPORTANT SAFETY INSTRUCTIONS

BEFORE USING THIS MACHINE READ ALL INSTRUCTIONS AND CAUTIONARY MARKINGS IN THIS MANUAL AND ON THE MACHINE

When using an electrical appliance, basic precautions should always be followed, including the following:

WARNING

These warnings apply to the machine, and also where applicable, to all tools, accessories, chargers or mains adaptors.

TO REDUCE THE RISK OF FIRE, ELECTRIC SHOCK, OR INJURY:

1. This Dyson machine is not intended for use by young children or infirm persons with reduced physical, sensory or reasoning capabilities, or lack of experience and knowledge, unless they have been given supervision or instruction by a responsible person concerning use of the machine to ensure that they can use it safely.
2. Do not allow to be used as a toy. Close attention is necessary when used by or near children. Children should be supervised to ensure that they do not play with the machine.
3. Use only as described in this Dyson Operating Manual. Do not carry out any maintenance other than that shown in this manual, or advised by the Dyson Helpline.
4. Suitable for dry locations **ONLY**. Do not use outdoors or on wet surfaces.
5. Do not handle any part of the plug or machine with wet hands.
6. Do not use with a damaged cord or plug. If the supply cord is damaged it must be replaced by Dyson, its service agent or similarly qualified persons in order to avoid a hazard.
7. If the machine is not working as it should, has received a sharp blow, has been dropped, damaged, left outdoors, or dropped into water, do not use and contact the Dyson Helpline.
8. Contact the Dyson Helpline when service or repair is required. Do not disassemble the machine as incorrect reassembly may result in an electric shock or fire.
9. Do not stretch the cord or place the cord under strain. Keep the cord away from heated surfaces. Do not close a door on the cord, or pull the cord around sharp edges or corners. Arrange the cord away from traffic areas and where it will not be stepped on or tripped over. Do not run over the cord.
10. Do not unplug by pulling on the cord. To unplug, grasp the plug, not the cord. The use of an extension cord is not recommended.
11. Do not use to pick up water.
12. Do not use to pick up flammable or combustible liquids, such as gasoline, or use in areas where they or their vapors may be present.
13. Do not pick up anything that is burning or smoking, such as cigarettes, matches, or hot ashes.
14. Keep hair, loose clothing, fingers, and all parts of the body away from openings and moving parts. Do not point the hose, wand or tools at your eyes or ears or put them in your mouth.
15. Do not put any object into openings. Do not use with any opening blocked; keep free of dust, lint, hair, and anything that may reduce airflow.
16. Use only Dyson recommended accessories and replacement parts.
17. To avoid a tripping hazard wind the cord when not in use.
18. Do not use without the clear bin and cyclone in place.
19. Do not leave the machine when plugged in. Unplug when not in use and before servicing.
20. Do not pull or carry by cord or use cord as a handle.
21. Use extra care when cleaning on stairs. Do not work with the machine above you on the stairs.
22. Turn off all controls before unplugging. Unplug before connecting any tool or accessory.
23. Always extend the cord to the red line but do not stretch or tug the cord.
24. Hold the plug when rewinding onto cord reel. Do not allow the plug to whip when rewinding.

READ AND SAVE THESE INSTRUCTIONS

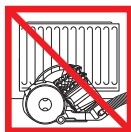
THIS DYSON MACHINE IS INTENDED FOR HOUSEHOLD USE ONLY

POLARIZATION INSTRUCTIONS

To reduce the risk of electric shock, this machine has a polarized plug (one blade is wider than the other). This plug will fit in a polarized outlet only one way. If the plug does not fit fully in the outlet, reverse the plug. If it still does not fit, contact a qualified electrician to install the proper outlet. Do not attempt to defeat this safety feature and do not change the plug in any way.



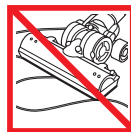
Do not pull on the cord.



Do not store near heat sources.



Do not use near open flames.



Do not run over the cord.



Do not pick up water or liquids.



Do not pick up burning objects.



Do not use above you on the stairs.



Do not put hands near the brush bar when the machine is in use.

INSTRUCCIONES DE SEGURIDAD IMPORTANTES

ANTES DE UTILIZAR ESTA MÁQUINA, LEA TODAS LAS INSTRUCCIONES Y LA INDICACIONES DE PRECAUCIÓN QUE VIENEN TANTO EN ESTE MANUAL COMO EN LA MÁQUINA

Cuando se usa un aparato eléctrico, deben seguirse las precauciones básicas para reducir riesgos de incendio, descarga eléctrica y lesiones personales, que incluyen lo siguiente:

PELIGRO

Estas advertencias se aplican a la máquina, a todas las herramientas y accesorios, así como a lo que corresponda a cualquier cargador o adaptador de alimentación.

PARA DISMINUIR EL RIESGO DE PROVOCAR UN INCENDIO, RECIBIR UNA DESCARGA ELÉCTRICA O LESIONES:

1. Esta máquina Dyson no fue diseñada para que sea utilizada por niños o personas débiles con capacidades físicas, sensoriales o mentales reducidas, o que carezcan de conocimiento y experiencia al respecto, a menos que sean supervisadas o hayan recibido instrucciones por parte de una persona responsable.
2. No permita que se utilice como un juguete. Es necesaria la atención de un adulto cuando es utilizada por o cerca de un niño. Los niños deben ser supervisados para asegurarse de que no jueguen con la máquina.
3. Utilícela solamente como se describe en este manual de funcionamiento Dyson. No realice ningún otro mantenimiento que no sea el mostrado en este manual, o el recomendado por la línea de ayuda de servicio al cliente Dyson.
4. Adecuada SOLAMENTE para lugares secos. No utilice para aspirar agua u otros líquidos.
5. No manipule el enchufe o de la máquina con las manos mojadas.
6. No lo use si el cable o el enchufe están dañados. Si se ha dañado el cable de corriente, deberá ser reemplazado por Dyson, uno de sus representantes de servicio u otra persona igualmente capacitada a fin de evitar un peligro.
7. Si la máquina no funciona como es debido, ha recibido un golpe fuerte o se ha caído, dañado, dejado a la intemperie, o sumergido en agua, no lo utilice y comuníquese con la línea de ayuda de servicio al cliente Dyson.
8. Comuníquese con la línea de ayuda de servicio al cliente Dyson cuando se requiera mantenimiento o reparación. No desmonte la máquina, ya que un montaje incorrecto puede provocar descargas eléctricas o incendios.
9. No estire el cable ni permita que ejerza presión. Manténgalo alejado de superficies calientes. No apriete el cable cuando cierre la puerta ni tire del cable en bordes o puntas filosas. Acomode el cable de tal modo que quede alejado de áreas transitadas y lugares donde se lo pise o cause tropiezos. No pise el cable con la máquina.
10. No desconecte la máquina tirando del cable. Para desconectar, tome el enchufe y no el cable. No es recomendable utilizar una extensión de cable.
11. No utilice para aspirar agua u otros líquidos.
12. No aspire líquidos inflamables o combustibles como gasolina, ni la utilice en áreas donde pueda haber este tipo de líquido.
13. No aspire nada que se esté quemando o que emita humo, como cigarrillos, fósforos o cenizas calientes.
14. Mantenga el cabello, ropa suelta, los dedos y cualquier otra parte del cuerpo alejados de las aberturas y de las partes móviles. No apunte con la manguera, la empuñadura o los accesorios a los ojos u orejas, ni se los meta en la boca.
15. No obstruya las aberturas de la máquina con ningún objeto. No utilice la máquina si tiene alguna abertura obstruida; manténgalas libres de polvo, pelusas, cabellos o cualquier otra cosa que pueda reducir la circulación del aire.
16. Utilice solamente los accesorios y las piezas de repuesto recomendadas por Dyson.
17. Para evitar un peligro de tropiezo, enrolle el cable cuando no esté en uso.
18. No utilice si el compartimiento cubo transparente y extractor de polvo el ci no están colocados en su lugar.

19. No se aleje de la máquina si está conectado. Desconéctelo si no lo está usando y antes de darle servicio.
20. No utilice el cable para jalar o transportar la máquina, ni use el cable como si fuera una asa.
21. Tenga mucho cuidado cuando utilice la máquina sobre una escalera. No trabaje con la máquina por encima de usted en la escalera.
22. Apague todos los controles antes de desconectar. Desenchufe antes de conectar cualquier herramienta o accesorio.
23. Siempre extienda el cable hasta la línea roja pero no tire del cable ni lo estire.
24. Sostenga el enchufe cuando enrolle el cable en el carrete. Al enrollar, evite que el enchufe se golpee.

LEA Y GUARDE ESTAS INSTRUCCIONES

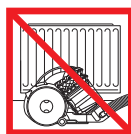
ESTA MÁQUINA DYSON ES PARA USO DOMÉSTICO SOLAMENTE

INSTRUCCIONES DE POLARIZACIÓN

Para disminuir el riesgo de choque eléctrico, esta máquina lleva un enchufe polarizado (una clavija es más ancha que la otra). Este enchufe se conecta a una toma de corriente polarizada de una sola forma. Si el enchufe no entra totalmente en la toma de corriente, dé la vuelta al enchufe. Si sigue sin entrar bien, póngase en contacto con un electricista calificado para instalar una toma de corriente correcta. No intente violar este dispositivo de seguridad, ni haga modificación alguna al enchufe.



No jale el cable.



No utilice la máquina cerca de una llama.



No guarde la máquina cerca de fuentes de calor.



No pise el cable con la máquina.



No aspire agua o líquidos.



No aspire objetos que se estén quemando.

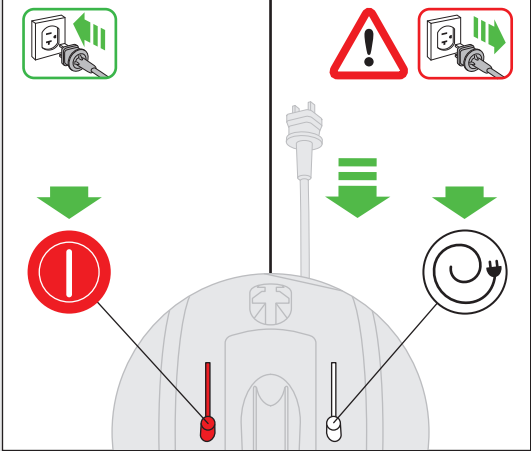


No utilice el aparato por encima de su cabeza si se encuentra sobre una escalera.

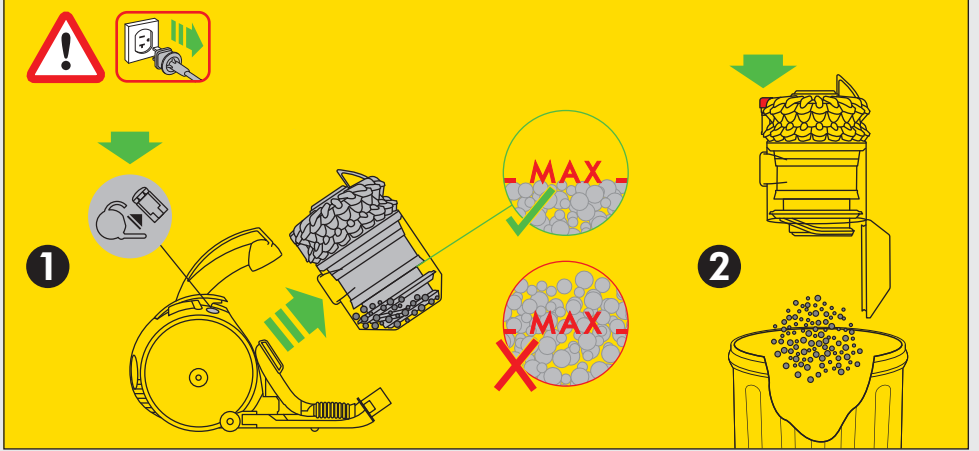


No coloque las manos cerca del cepillo cuando el aparato esté en funcionamiento.

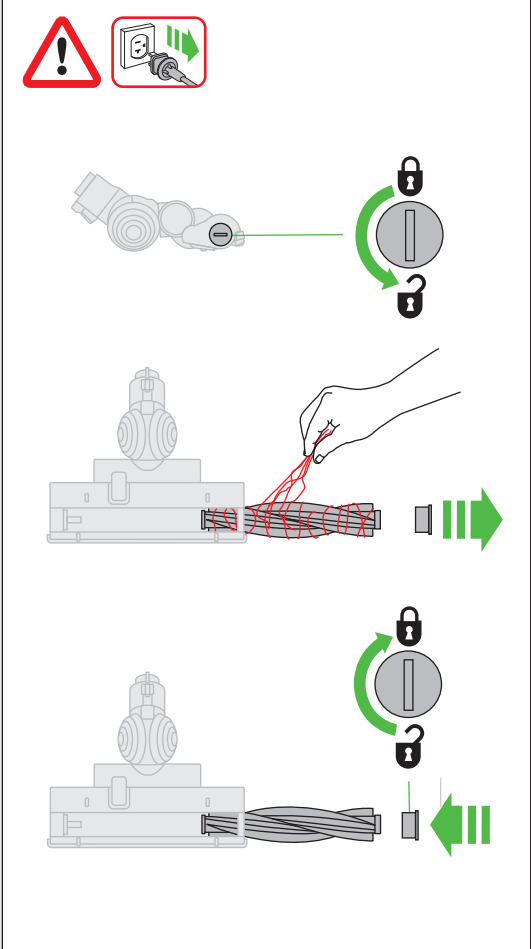
Power & cord
Fuente y cable de alimentación



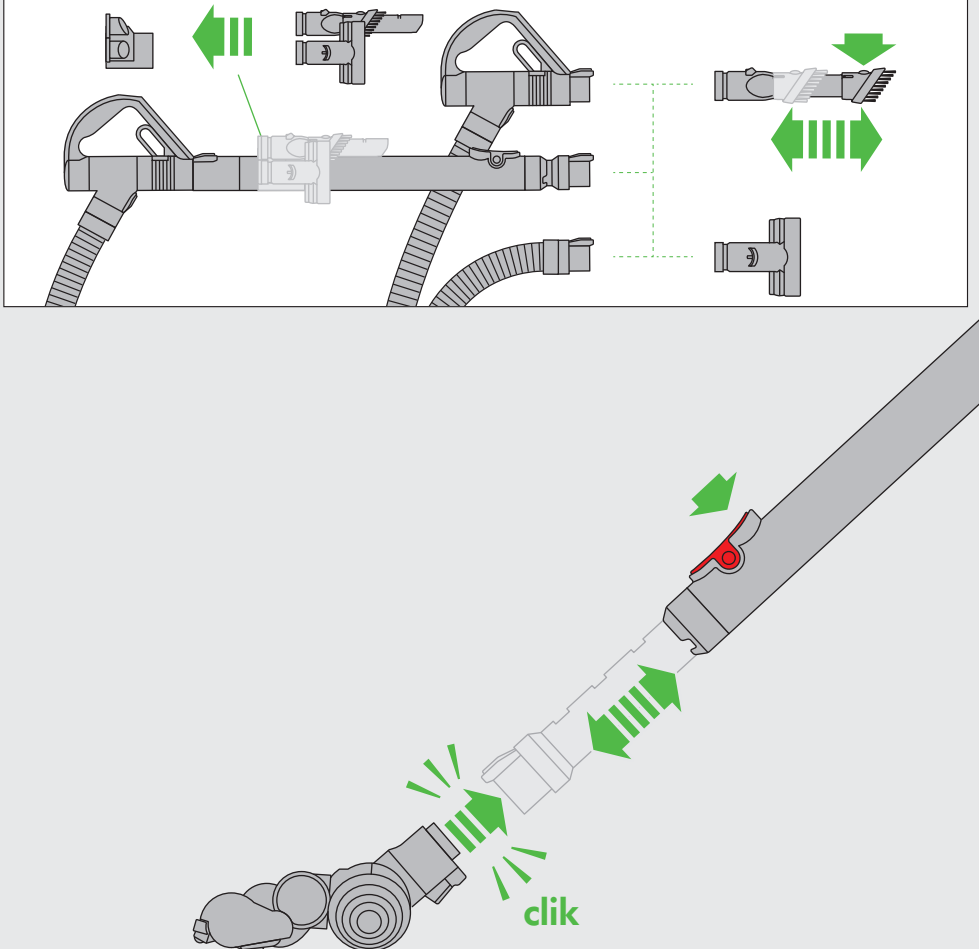
Emptying
Cómo vaciar



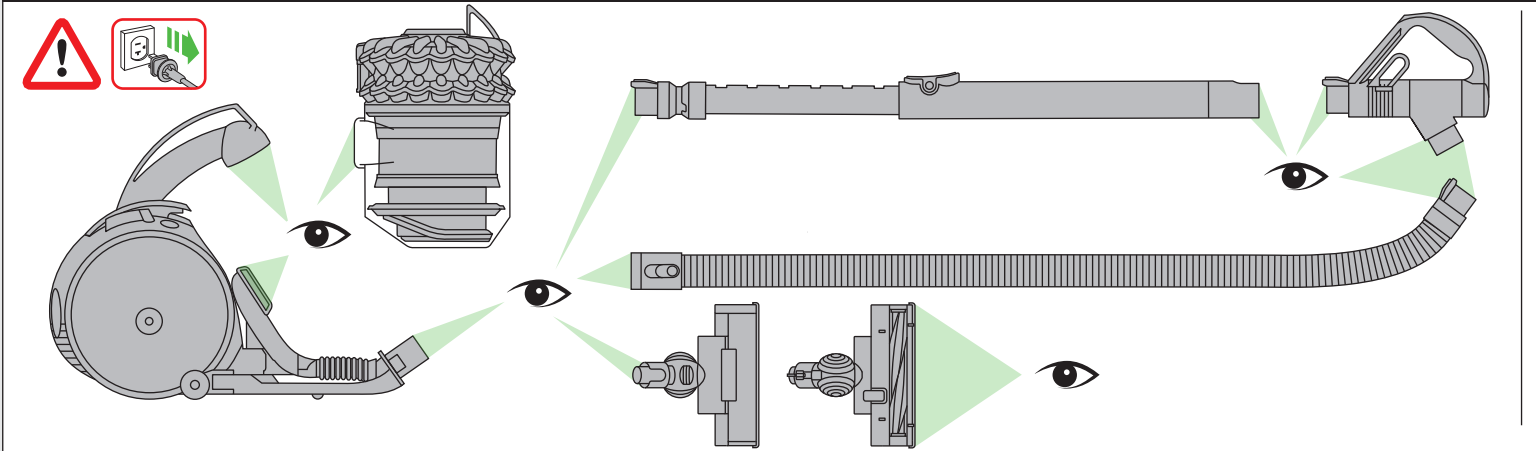
Brush bar – clearing obstructions
Cepillo: para eliminar obstrucciones



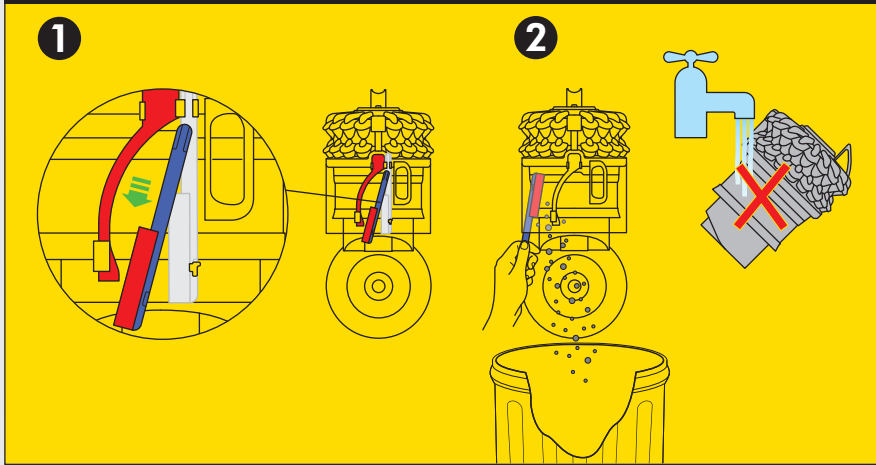
Tool attachments
Accesorios de herramientas



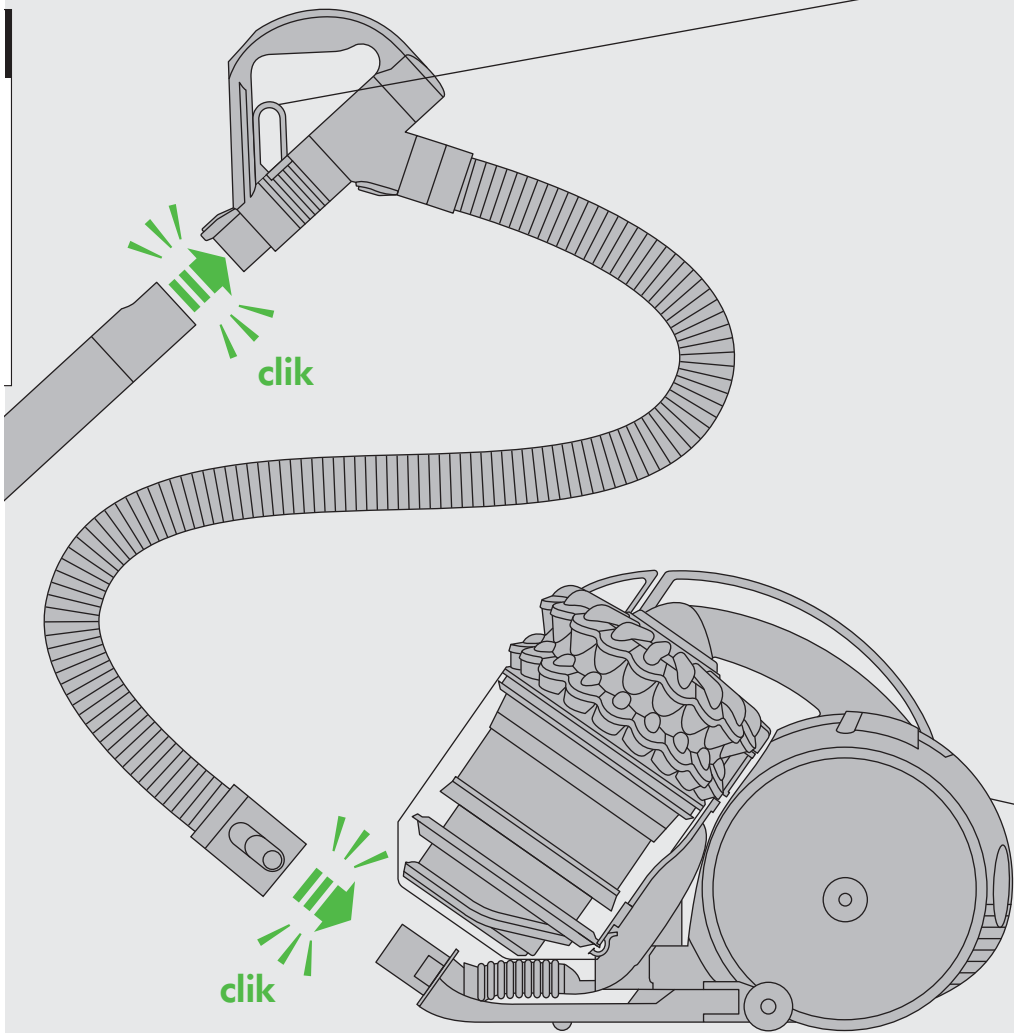
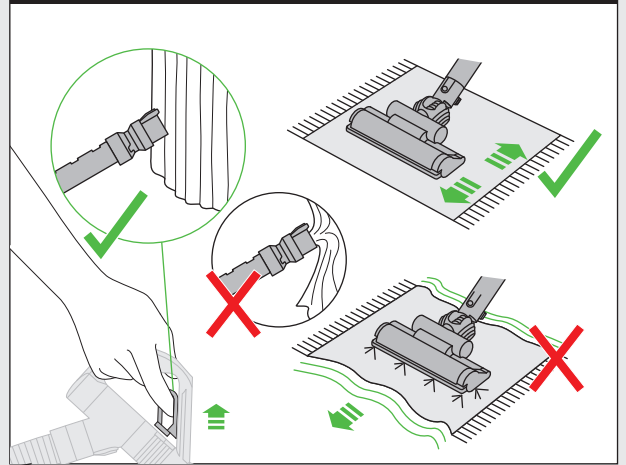
Looking for blockages
Cómo buscar obstrucciones



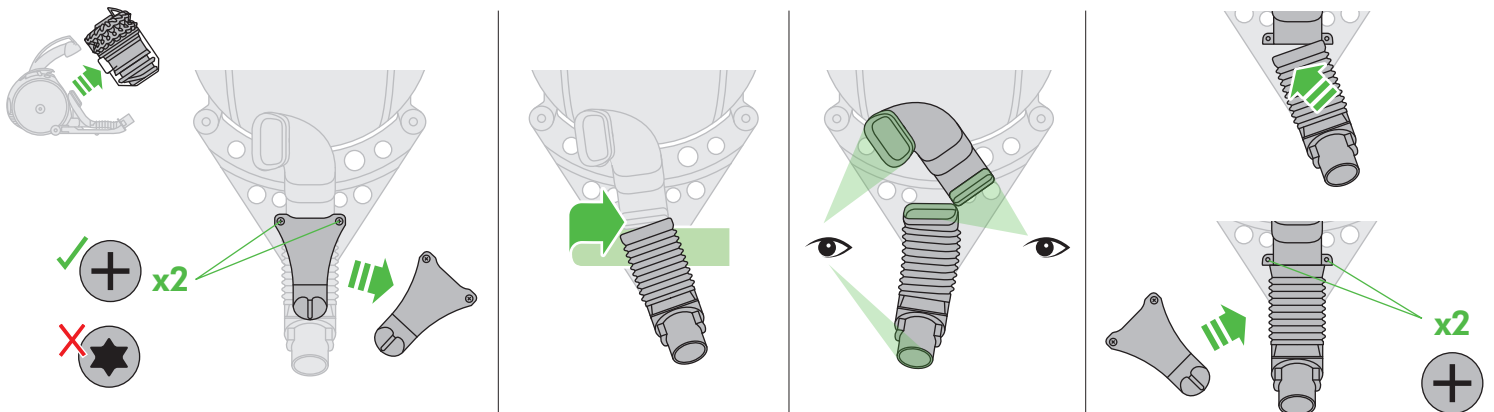
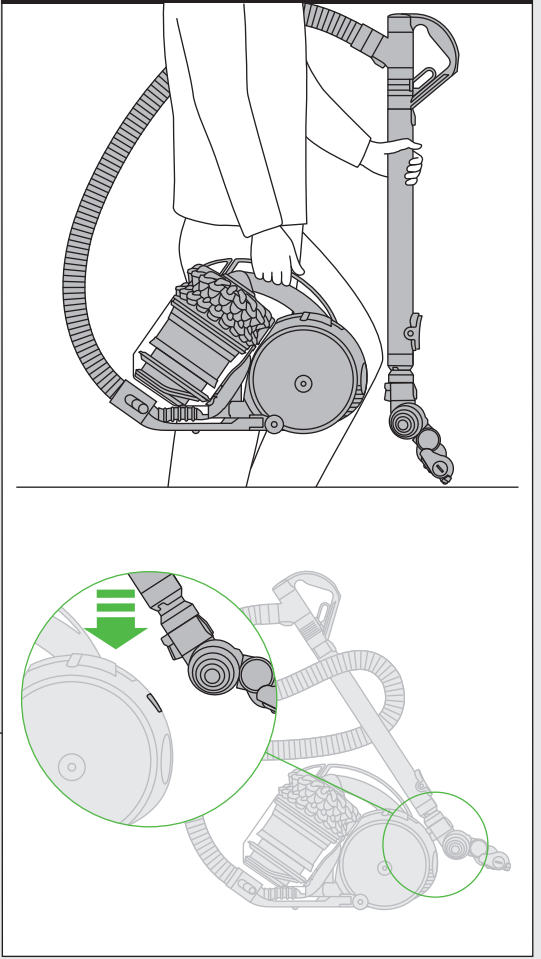
Cleaning the clear bin
Cómo limpiar el cubo transparente



Succión release
Liberación de succión



Carrying & storage
Traslado y almacenamiento



USING YOUR DYSON MACHINE

PLEASE READ THE 'IMPORTANT SAFETY INSTRUCTIONS' IN THIS DYSON OPERATING MANUAL BEFORE PROCEEDING.

CARRYING THE MACHINE

- Carry the machine by the main handle on the body.
- Do not press the cyclone release button or shake the machine when carrying or the cyclone could disengage, fall off and cause injury.

OPERATION

- Always extend the cord fully to the red tape before use.
- Plug the machine into the mains electricity supply.
- To switch 'ON' or 'OFF' press the red power button, located as shown.
- After use: unplug, retract the cord safely, put the machine away.
- Switch 'OFF' the machine, unplug and ensure it is upright before:
 - changing or using tools
 - removing the hose or airway inspection parts.

CARPETS OR HARD FLOORS

- The brush bar will always default to 'ON' (spinning) each time you switch the machine 'ON'.
- To reduce the speed of the brush bar (e.g. for delicate flooring and delicate hard floors), pull the suction release trigger on the handle.
- The brush bar will automatically stop if it becomes obstructed. See 'Brush bar – clearing obstructions'.
- Before vacuuming your flooring, rugs and carpets, check the manufacturer's recommended cleaning instructions.
- Some carpets may fuzz if a rotating brush bar is used when vacuuming. If this happens, we recommend pulling the suction release trigger to reduce brush bar spin.
- The brush bar on the machine may damage some carpet types and delicate hard flooring. If you are unsure, pull the suction release trigger to reduce brush bar spin. Alternatively, use an Articulating hard floor tool (available as an option).
- This product has carbon fiber brushes. Take care if coming into contact with them, as they may cause minor skin irritation. Wash your hands after handling the brushes.

LOOKING AFTER YOUR DYSON MACHINE

- Do not carry out any maintenance or repair work other than that shown and described in this Dyson Operating Manual, or advised by the Dyson Helpline.
- Only use parts recommended by Dyson. If you do not this may invalidate your warranty.
- Store the machine indoors. Do not use or store it below 37.4°F (3°C). Ensure the machine is at room temperature before operating.
- Clean the machine only with a dry cloth. Do not use any lubricants, cleaning agents, polishes or air fresheners on any part of the machine.
- If used in a garage, always wipe the base plate and ball with a dry cloth after vacuuming to clean off any sand, dirt, or pebbles that could damage delicate floors.

VACUUMING

- Do not use without the clear bin and cyclone in place.
- Do not use on rubble, ash or plaster. This machine is designed only for domestic use to remove household dirt, hair and allergens. The machine is not designed to be used on:
 - debris produced from activities such as DIY, building or similar tasks
 - larger types and quantities of dust or debris, such as soot and sawdust.These materials may harm the machine and may void your warranty.
- Fine dirt such as flour should only be vacuumed in very small amounts.
- Do not use the machine to pick up sharp hard objects, small toys, pins, paper clips, etc. They may damage the machine.
- When vacuuming, certain carpets may generate small static charges in the clear bin or wand. These are harmless and are not associated with the mains electricity supply. To minimize any effect from this (small static charge), do not put your hand or insert any object into the clear bin unless you have first emptied it and cleaned it with a damp cloth (see 'Cleaning the clear bin').
- Do not work with the machine above you on the stairs.
- Do not put the machine on chairs, tables, etc.
- Before vacuuming highly polished floors, such as wood or linoleum, first check that the underside of the floor tool and its brushes are free from foreign objects that could cause marking.
- Do not push hard with the floor tool when vacuuming, as this may cause damage.
- Do not leave the cleaner head in one place on delicate floors.
- On waxed floors the movement of the cleaner head may create an uneven luster. If this happens, wipe with a damp cloth, polish the area with wax, and wait for it to dry.
- To reduce suction (for example, when vacuuming rugs), pull the suction release trigger on the handle to reduce the airflow.
- Do not use this machine outdoors. The Dyson Car Cleaning Kit (Model 08909) is intended for use only inside a garage.

EMPTYING THE CLEAR BIN

- Empty as soon as the dirt reaches the level of the MAX mark – do not overfill.
- Switch 'OFF' and unplug before emptying the clear bin.
- To remove the cyclone and clear bin unit, push the release button to the side of the carrying handle, as shown. The carrying handle will be released.
- To release the dirt, press the red bin release button.
- To minimize dust/allergen contact when emptying, encase the clear bin tightly in a plastic bag and empty.
- Remove the clear bin carefully from the bag.
- Seal the bag tightly, dispose as normal.

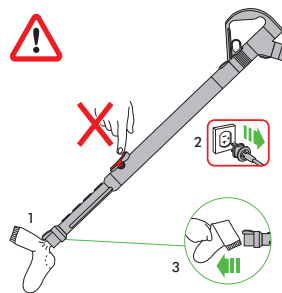
- Close the clear bin base so it clicks into place and is secure.
- Place the clear bin and cyclone unit into position on the front of the main body of the machine. The recess in the base of the clear bin must fit onto the lug on the support bracket.
- Push the carrying handle down so it clicks into place on the top of the clear bin and cyclone unit. Ensure it is secure.

CLEANING THE CLEAR BIN

- Remove cyclone and clear bin (see 'Emptying the clear bin').
- To separate the cyclone from the clear bin press the red bin release button to open the bin base. This exposes a small silver button behind the red opening mechanism.
- Press the small silver button on the cyclone. Separate the cyclone from the clear bin.
- Clean the clear bin with cold water only.
- Do not use detergents, polishes or air fresheners to clean the clear bin.
- Do not put the clear bin in a dishwasher.
- Do not immerse the whole cyclone in water or pour water into the cyclones.
- Clean the cyclone shroud with a cloth or the provided brush to remove any lint and dust.
- Ensure the clear bin is completely dry before replacing.
- To replace, first close the clear bin base so it clicks into place and is secure.
- Fit the clear bin onto the cyclone. To secure it, first fit the slot on the front rim of the clear bin onto the lug on the front of the cyclone; then push the rear of the clear bin into place so the silver button engages and clicks into place.
- Fit the cyclone and clear bin unit onto the machine (see 'Emptying the clear bin').

BLOCKAGES – THERMAL CUT-OUT

- This machine is fitted with an automatically resetting thermal cut-out.
- If any part becomes blocked the machine may overheat and automatically cut-out.
- If this happens, follow the instructions below in 'Looking for blockages'.
- NOTE: Large items may block the tools or wand inlet. If this happens, do not operate the wand release catch. Switch 'OFF' and unplug. Failure to do so could result in personal injury.



LOOKING FOR BLOCKAGES

- Switch 'OFF' and unplug before looking for blockages. Failure to do so could result in personal injury.
- Leave to cool down for 1-2 hours before looking for blockages.
- Beware of sharp objects when checking for blockages.
- To access the flexible inspection hose beneath the clear bin, first remove the clear bin (see above).
- Unscrew the two Phillips screws on the clear bin locator bracket. (Do not remove any other screws.) Remove the bracket.
- Firmly twist the flexible inspection hose away from the inlet next to the ball (do not remove the end next to the connection for the main hose).
- Inspect for blockages.
- Clear any blockage before restarting.
- Refit all parts securely before using.
- Clearing blockages is not covered by your warranty.

BRUSH BAR – CLEARING OBSTRUCTIONS

- If your brush bar is obstructed, it may shut 'OFF'. If this happens you will need to remove the brush bar as shown.
- Switch 'OFF' and unplug before proceeding. Failure to do so could result in personal injury.
- Remove the brush bar by using a coin to loosen the fastener marked with a padlock until it clicks.
- Beware of sharp objects when clearing obstructions.
- Replace the brush bar and secure it by tightening the fastener until it clicks. Ensure it is fixed firmly before operating.
- Clearing brush bar obstructions is not covered by your warranty.
- This product has carbon fiber brushes. Take care if coming into contact with them, as they may cause minor skin irritation. Wash your hands after handling the brushes.

BRUSH BAR – TROUBLESHOOTING

- If the brush bar has stopped spinning, follow the instructions above on clearing obstructions. Alternatively, contact a Dyson expert on the Dyson Helpline or visit the website.

DYSON CUSTOMER CARE

THANK YOU FOR CHOOSING TO BUY A DYSON MACHINE

If you have a question about your Dyson machine, call the Dyson Helpline with your serial number and details of where and when you bought the machine. Most questions can be solved over the phone by one of our Dyson Helpline staff. If your Dyson machine needs service, call the Dyson Helpline so we can discuss the available options. If your Dyson machine is under warranty, and it is a covered repair, it will be repaired at no cost.

PLEASE REGISTER AS A DYSON MACHINE OWNER

To help us ensure you receive prompt and efficient service, please register as a Dyson machine owner. There are three ways to do this:

- Online at www.dyson.com
- Telephone the Dyson Helpline, 1-866-276-3886.
- Complete the enclosed Warranty Form and mail it to us.

This will confirm ownership of your Dyson machine in the event of an insurance loss, and enable us to contact you if necessary.

5 YEAR LIMITED WARRANTY

TERMS AND CONDITIONS OF THE DYSON 5 YEAR LIMITED WARRANTY

WHAT IS COVERED

Your Dyson machine is warranted against original defects in materials and workmanship for a period of 5 years from the date of purchase, when used for normal domestic purposes in accordance with the Dyson Operating Manual. Please retain your proof of purchase. If you do not have your proof of purchase, your warranty will start 90 days after the date of manufacture, according to Dyson's records. This warranty provides, at no extra cost to you, all labor and parts necessary to ensure your machine is in proper operating condition during the warranty period. The replacement of any part of your machine under warranty will not extend the period of warranty. Any parts which are returned and replaced by Dyson will become the property of Dyson. Please call the Dyson Helpline at 1-866-276-3886 for more information.

This limited warranty is subject to the following terms:

WHAT IS NOT COVERED

Dyson shall not be liable for costs, damages or repairs incurred as a result of, due to, or from:

- Purchases of machines from unauthorized dealers.
- Careless operation or handling, misuse, abuse and/or lack of maintenance or use not in accordance with the Dyson Operating Manual.
- Use of the machine other than for normal domestic purposes within the United States, e.g. for commercial or rental purposes.
- Use of parts not in accordance with the Dyson Operating Manual.
- Use of parts and accessories other than those produced or recommended by Dyson.
- External sources such as weather, electrical outages or power surges.
- Repairs or alterations carried out by unauthorized parties or agents.
- Clearing blockages from your machine or washing of the filter.
- Normal wear and tear, including normal wearing parts, such as clear bin, filter, brush bar, and power cord (or where external damage or abuse is diagnosed), carpet or floor damage due to use not in accordance with Dyson's Operating Manual or failure to turn the brush bar off when necessary.
- Reduction in battery discharge time due to battery age or use (where applicable).
- Damage as a result of use not in accordance with the rating plate.
- Use of this machine on rubble, ash, plaster, drywall, liquids, or wet surfaces.
- Additionally, this limited warranty does not apply to any machine that has had the serial number altered or removed.

WARRANTY LIMITATIONS AND EXCLUSIONS

- Any implied warranties relating to your machine including but not limited to warranty of merchantability or warranty of fitness for a particular purpose, are limited to the duration of this warranty. This limitation is not allowed by some States and so this limitation may not apply to you.
- Your remedy for breach of this warranty is limited to the warranty service described above. Dyson will not be liable for any consequential damages or incidental damages you may incur in connection with your purchase and use of your machine. This limitation is not allowed by some States and so this limitation may not apply to you.
- This limited warranty gives you specific legal rights. You may also have other rights which vary by State.
- This limited warranty is not transferable.

WARRANTY SERVICE

- Please fill out and return the Warranty Form, or register online at www.dyson.com
- Before service can take place, the terms of the warranty require that you contact the Dyson Helpline with your model name/number, serial number, date and place of purchase.
- Please keep your purchase receipt in a safe place to ensure you have this information.
- All work will be coordinated by Dyson or its authorized agents.
- Any replaced defective parts will become the property of Dyson.
- Service under this warranty will not extend the period of this warranty.
- If your machine is not functioning properly, please call the Dyson Helpline at 1-866-276-3886. Most issues can be rectified over the telephone by our trained Customer Care staff.

IMPORTANT DATA PROTECTION INFORMATION

- Your details will be held by Dyson or others on behalf of Dyson so that we can assist you more quickly in our Customer Service department.
- From time to time, Dyson may send you special offers and news of our latest innovations. Check the box on the Warranty Form within the Dyson Operating Manual if you do not wish to receive marketing or promotional information from Dyson.
- For more information about our data collection practices, please refer to the Dyson privacy policy at www.dyson.com/privacy

DISPOSAL INFORMATION

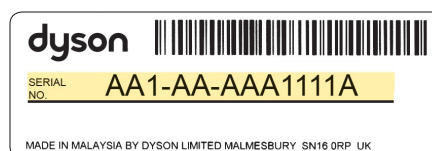
- Dyson products are made from high grade recyclable materials. Recycle where possible.
- Dispose of or recycle the battery in accordance with local ordinances or regulations.

CONFORMITY INFORMATION

This device complies with Part 15 of the FCC Rules. Operation is subject to the following two conditions: (1) this device may not cause interference, and (2) this device must accept any interference, including interference that may cause undesired operation of the device.

Changes or modifications not expressly approved by the party responsible for compliance could void the user's authority to operate the equipment.

Note your serial number for future reference.



This illustration is for example purposes only.

USO DE SU MÁQUINA DYSON

ANTES DE CONTINUAR, SÍRVASE LEER LAS 'INSTRUCCIONES DE SEGURIDAD IMPORTANTES' DE ESTE MANUAL DE FUNCIONAMIENTO DYSON.

TRASLADO DEL APARATO

- Para trasladar el aparato, sujételo por la manija de la estructura principal.
- No presione el botón para soltar el extractor ni sacuda el aparato cuando lo traslade. En tal caso, el extractor podría soltarse, caer y causar lesiones.

FUNCIONAMIENTO

- Antes de utilizar el aparato, extienda el cable por completo hasta la cinta roja.
- Conecte la máquina al suministro de corriente eléctrica.
- Para cambiar a encendido o apagado, presione el botón rojo de alimentación que se encuentra donde se muestra en la imagen.
- Después de utilizar el aparato: desconéctelo, retraiga el cable de manera segura y guarde el aparato.
- Apague la máquina, desconéctela y colóquela en posición vertical antes de:
 - cambiar o usar accesorios
 - quitar la manguera o las piezas para inspeccionar el paso del aire.

ALFOMBRAS O PISOS

- El cepillo está siempre activo (girando) en modo predeterminado, cada vez que usted enciende la máquina.
- Para reducir la velocidad del cepillo (p. ej. para pisos delicados y pisos duros delicados), presione el gatillo de liberación de succión que se encuentra en la manija.
- El cepillo deja de funcionar automáticamente si se produce una obstrucción. Consulte 'Cepillo: para eliminar obstrucciones'.
- Antes de aspirar sus pisos, tapetes y alfombras, consulte las instrucciones de limpieza que recomienda el fabricante.
- Es posible que algunas alfombras produzcan pelusa si se utiliza un cepillo giratorio durante la aspiración. En tal caso, recomendamos que presione el gatillo de liberación de succión a fin de reducir el giro del cepillo.
- El cepillo del aparato puede dañar algunos tipos de alfombras y pisos expuestos delicados. Si tiene dudas, recomendamos que presione el gatillo de liberación de succión a fin de reducir el giro del cepillo. O bien utilice una herramienta de piso duros de Dyson (disponible como pieza opcional).
- Tenga en cuenta que el cepillo contiene fibras de carbono. Tenga cuidado si la piel entra en contacto con ellos, ya que pueden causar irritaciones leves. Lávese las manos después de manipular los cepillos.

CÓMO CUIDAR SU MÁQUINA DYSON

- No realice ningún tipo de mantenimiento o reparaciones que no sean las indicadas y descritas en este Manual de Funcionamiento Dyson o que se le sugiera en la línea de ayuda de Dyson.
- Utilice únicamente las piezas que recomienda Dyson. De no hacerlo podría anular su garantía.
- Almacene la máquina en un espacio cerrado. No lo utilice si la temperatura es menor de 37.4° F (3° C). Compruebe que la máquina está a temperatura ambiente antes de ponerlo en funcionamiento.
- Limpie máquina únicamente con un paño seco. No utilice ningún lubricante, agente de limpieza, pulidor o aromatizador en ninguna parte del máquina.
- Si se utiliza en una cochera, limpie siempre la placa base y la esfera giratoria con un paño seco luego de aspirar para limpiar arena, residuos o grava que puedan dañar pisos delicados.

PARA ASPIRAR

- No utilice si el compartimiento cubo transparente y extractor de polvo del ci no están colocados en su lugar.
- No utilice el aparato sobre escombros, cenizas o yeso. Este aparato es exclusivamente de uso doméstico. Está diseñado para eliminar la suciedad, el pelo y los alérgenos presentes en el hogar. El aparato no está diseñado para usarse sobre:
 - desechos producidos por actividades como bricolaje, construcción u otras tareas similares.
 - grandes cantidades de polvo o desechos, como hollín y aserrín.Estos materiales pueden dañar el aparato y es posible que invaliden la garantía.
- La suciedad fina, como el polvo de harina, deberá aspirarse sólo en pequeñas cantidades.
- No utilice la máquina para recoger objetos duros cortantes, juguetes pequeños, alfileres, sujetapapeles, etc., ya que podrían dañar la máquina.
- Al aspirar, algunas alfombras se pueden generar pequeñas descargas de estática en el cubo transparente o en el tubo. Éstas son totalmente inofensivas y no están asociadas al suministro de corriente eléctrica. Para minimizar los efectos de esta ligera carga estática, no coloque la mano ni introduzca ningún objeto en el cubo transparente, a menos que lo haya vaciado y enjuagado previamente con agua fría (ver "Cómo limpiar el cubo transparente").
- No utilice la máquina por encima de usted en la escalera.
- No suba la máquina a sillas, mesas, etc.
- Antes de aspirar pisos con alto grado de pulido, como los de madera o linóleo, verifique primero que el lado inferior del accesorio para pisos y sus cepillos no tienen objetos extraños que puedan producir marcas.
- Cuando aspire, no ejerza mucha presión con la herramienta de piso ya que puede causar daño.
- No deje el cabezal de la aspiradora en un solo lugar si está sobre pisos delicados.
- En los pisos encerados, el movimiento de la máquina puede generar un lustre disperejo. Si esto sucede, limpie con un paño húmedo, pule el área con cera, y espere hasta que se seque.
- Para reducir la succión (por ejemplo, cuando aspire alfombras), presione el gatillo de liberación de succión que se encuentra en la manija y se reducirá el flujo de aire.
- No utilice esta máquina a la intemperie. El Kit de limpieza para el coche Dyson (Modelo 08909) sólo se puede utilizar dentro de una cochera.

CÓMO VACIAR EL CUBO TRANSPARENTE

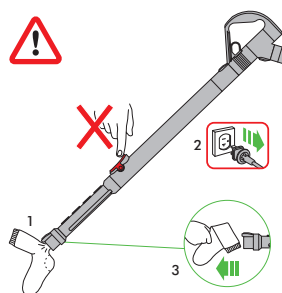
- Vacíe el compartimiento cuando la basura llegue al nivel máximo. Evite sobrecargarlo.
- Apague y desconecte el aparato antes de vaciar el cubo transparente.
- Para quitar el extractor y el cubo transparente, presione el botón de liberación ubicado al costado de la manija de traslado, como se muestra en la ilustración. Se liberará la manija de traslado.
- Para eliminar la suciedad, presione el botón rojo de liberación del cubo.
- Para minimizar el contacto con polvo/alérgenos al efectuar el vaciado, introduzca el cubo transparente en una bolsa de plástico y vacíe el contenido.
- Quite cuidadosamente el compartimiento cubo transparente de la bolsa.
- Selle perfectamente la bolsa, elimínala como acostumbra hacerlo.
- Cierre la base del compartimiento cubo transparente hasta que haga clic y quede segura en su lugar.
- Coloque el cubo transparente y el extractor en la posición correcta en la parte frontal de la estructura principal del aparato. El hueco en la base del cubo transparente debe ajustarse a la lengüeta que se encuentra en el soporte.
- Empuje la manija para el traslado de modo que haga clic cuando esté bien colocada en la parte superior del cubo transparente y del extractor. Asegúrese de que quede fija.

CÓMO LIMPIAR EL CUBO TRANSPARENTE

- Quite el extractor de polvo y el compartimiento cubo transparente (Consulte 'Cómo vaciar el cubo transparente').
- Para separar el extractor del cubo transparente, presione el botón rojo de liberación del cubo y se abrirá la base del cubo. Verá un botón plateado pequeño detrás del mecanismo de apertura rojo.
- Presione el botón plateado pequeño que se encuentra en el extractor. Separe el extractor del cubo transparente.
- Lave el compartimiento cubo transparente únicamente con agua fría.
- No utilice detergente, líquido para encerar ni desodorante de ambientes para limpiar el compartimiento.
- No limpie el compartimiento en un lavavajillas.
- No sumerja todo el extractor en agua ni vierta agua sobre él.
- Limpie la rejilla con un paño seco o un cepillo seco para eliminar la pelusa y el polvo.
- Asegúrese de que el compartimiento esté totalmente seco antes de colocarlo.
- Para volver a colocarlo, cierre la base del cubo transparente de modo que haga clic cuando esté bien colocado y fijo en su lugar.
- Coloque el cubo transparente sobre el extractor. Para asegurarlo, primero coloque la ranura del borde frontal del cubo transparente sobre la lengüeta de la parte frontal del extractor; luego empuje el cubo transparente por la parte posterior hasta que quede en su lugar, de modo que el botón plateado encaje y haga clic cuando esté bien colocado.
- Coloque el extractor y el cubo transparente sobre el aparato (consulte 'Cómo vaciar el cubo transparente').

PARA ELIMINAR BLOQUEOS: SISTEMA DE DESCONEXIÓN TÉRMICA

- Esta máquina posee un sistema de desconexión térmica.
- Si se produce una obstrucción en cualquier parte, el máquina se puede sobrecalentar y desconectarse automáticamente.
- Si esto sucede, siga las instrucciones que se detallan a continuación en 'Cómo buscar obstrucciones'.
- NOTA: Es posible que los objetos de mayor tamaño bloqueen las herramientas o la entrada del tubo. En tal caso, no presione el pestillo para soltar el tubo. Apague y desconecte el aparato. Si no realiza esta acción, puede causar lesiones en las personas.



CÓMO BUSCAR OBSTRUCCIONES

- Apague y desconecte antes de buscar obstrucciones. Si no lo hace, podría sufrir lesiones.
- Deje enfriar durante 1 o 2 horas antes de verificar si hay obstrucciones.
- Tenga cuidado con los objetos filosos cuando inspeccione las obstrucciones.
- Para acceder a la manguera flexible de inspección que se encuentra debajo del cubo transparente, quite primero el cubo transparente (ver más abajo).
- Desajuste los dos tornillos de estrella que se encuentran en el soporte de colocación del cubo transparente. (No quite otros tornillos.) Quite el soporte.
- Gire la manguera flexible de inspección con firmeza para alejarla de la entrada que se encuentra al costado de la esfera (no quite el extremo que se encuentra al costado de la conexión para la manguera principal).
- Verifique que no haya obstrucciones.
- Elimine cualquier obstrucción antes de reiniciar el funcionamiento.
- Reinstale todas las partes correctamente antes de utilizarlo.
- Su garantía limitada no cubre la eliminación de obstrucciones.

CEPILLO: PARA ELIMINAR OBSTRUCCIONES

- Si el cepillo tiene alguna obstrucción, es posible que se apague. En tal caso, deberá quitar el cepillo, como se muestra en la ilustración.
- Apague y desconecte antes de proceder. Si no lo hace, podría sufrir lesiones.
- Quite el cepillo con una moneda para soltar el sujetador marcado con un candado hasta que haga clic.
- Cuando elimine las obstrucciones, tenga cuidado con los objetos cortantes.
- Vuelva a colocar el cepillo y ajústelo con el sujetador hasta que haga clic. Asegúrese de que quede bien fijo antes de utilizar el aparato.
- La limpieza de obstrucciones del cepillo no tiene cobertura de garantía.
- Tenga en cuenta que el cepillo contiene fibras de carbono. Tenga cuidado si la piel entra en contacto con ellos, ya que pueden causar irritaciones leves. Lávese las manos después de manipular los cepillos.

REPARACIÓN DE AVERÍAS DE LA BARRA DE CEPILLO

- Si el cepillo ha dejado de girar, siga las instrucciones anteriores para eliminar obstrucciones. Alternativamente, comuníquese con un experto de Dyson a la línea de ayuda de Dyson o visite el sitio web.

SERVICIO DE ATENCIÓN AL CLIENTE DYSON

GRACIAS POR ELEGIR COMPRAR UNA MÁQUINA DYSON

Si tiene alguna duda acerca de su máquina Dyson, llame a la línea de ayuda de Dyson con el número de serie e información de cuándo y dónde compró la máquina.

Si tiene más preguntas, puede consultar por teléfono a algún miembro de la línea de ayuda.

Si su máquina Dyson necesita reparación llame a la Línea de ayuda de Dyson para poder analizar las opciones disponibles. Si su máquina tiene garantía y la reparación necesaria está incluida dentro de esa garantía, se reparará sin costo alguno.

POR FAVOR REGÍSTRESE COMO PROPIETARIO DE UNA MÁQUINA DYSON

Para ayudarnos a asegurarle que reciba un servicio rápido y eficaz, por favor regístrese como propietario de una máquina Dyson. Hay dos maneras de hacerlo:

- En línea en www.dyson.com
- Llamando por teléfono a la Línea de ayuda de Dyson, 1-866-276-3886.
- Enviando por correo el formulario de garantía que se anexa, dirigido a nuestra dirección.

Esto confirmará que la máquina Dyson es de su propiedad en caso de que ocurra una pérdida cubierta por el seguro, y nos permitirá contactarle si fuese necesario.

5 AÑOS DE GARANTÍA

TÉRMINOS Y CONDICIONES DE LA GARANTÍA LIMITADA DE 5 AÑOS DE DYSON

QUÉ ESTÁ CUBIERTO

Su máquina Dyson está garantizado contra defectos originales de materiales o mano de obra por un período de 2 años a partir de la fecha de compra, cuando se utilice para fines domésticos normales y de acuerdo con el Manual de Instrucciones de Dyson. Conserve su factura de compra. Si no tiene la factura de compra, la validez de la garantía empezará a contar desde los 90 días posteriores a la fecha de fabricación, según los registros de Dyson. Esta garantía proporciona, sin costo para usted, toda la mano de obra y piezas para poner su máquina en perfectas condiciones de funcionamiento durante el plazo de garantía. El reemplazo de cualquier pieza de la máquina con garantía no extiende el período de la garantía. Todas las piezas que se reemplacen o se devuelvan a Dyson se convertirán en propiedad de Dyson. Comuníquese con la Línea Directa de Asistencia al Cliente de Dyson al 1-866-276-3886 para obtener más información.

Esta garantía está sujeta a los siguientes términos:

QUÉ NO ESTÁ CUBIERTO

Dyson no será responsable de los costos, daños o reparaciones originados como resultado de o debido a lo siguiente:

- Compras de máquinas de un proveedor no autorizado.
- El funcionamiento o manejo descuidado, uso indebido y/o falta de mantenimiento o el uso de forma contraria al Manual de Instrucciones de Dyson.
- El uso de la máquina contrario a los usos domésticos normales dentro de los Estados Unidos de América, por ejemplo, para el uso comercial o alquiler.
- El uso de piezas que no estén contempladas en el Manual de Instrucciones de Dyson.
- El uso de piezas y accesorios que no sean los producidos o recomendados por Dyson.
- Fuentes externas como el clima, las interrupciones eléctricas o las sobrecargas de energía.
- Reparaciones o alteraciones llevadas a cabo por partes o agentes no autorizados.
- Limpieza de obturaciones de la máquina o lavado del filtro.
- Uso y desgaste normal, incluido desgaste normal de partes como el cubo transparente, el filtro, el cepillo y el cable de corriente (o donde se diagnostique daño o abuso externo), daño a la alfombra o piso debido al uso sin cumplir las instrucciones del Manual de funcionamiento de Dyson o por no apagar el cepillo cuando es necesario.
- La reducción del tiempo de descarga de la batería es debida a la antigüedad de la batería o uso.
- Daño como resultado de un uso que contravenga las indicaciones de la placa de especificaciones.

- Uso de esta máquina sobre goma, ceniza, masilla, paredes de yeso o superficies húmedas.
- Además, esta garantía limitada no se aplica a ningún aparato cuyo número de serie se haya alterado o quitado.

LIMITACIONES Y EXCLUSIONES DE LA GARANTÍA

- Cualquier garantía implícita relacionada con su máquina, incluyendo pero sin limitarse a una garantía de comerciabilidad o garantía de idoneidad para un propósito en particular, se limita a la duración de esta garantía. Esta limitación no está permitida por algunos estados, por lo que esta limitación puede no aplicarse a usted.
- El recurso por el incumplimiento de esta garantía se limita al servicio de garantía descrito anteriormente. Dyson no será responsable de ningún daño consecuente o incidental en el que se pueda incurrir en conexión con la compra y uso de su máquina. Esta limitación no está permitida por algunos estados, por lo que esta limitación puede no aplicarse a usted.
- Esta garantía le otorga derechos legales específicos. Usted podría también tener otros derechos los cuales varían de acuerdo al estado.
- Esta garantía limitada no es transferible.

INFORMACIÓN IMPORTANTE PARA LA PROTECCIÓN DE DATOS

- Sus detalles serán retenidos por Dyson u otros en nombre de Dyson de manera que nuestro departamento de Servicio al cliente pueda brindarle asistencia con mayor rapidez.
- Dyson podrá enviarle periódicamente ofertas especiales y noticias relacionadas con nuestras más recientes innovaciones. Marque la casilla que se encuentra en el Formulario de la garantía que se incluye en el Manual de Instrucciones de Dyson si usted no desea recibir información comercial o promocional de Dyson.
- Para obtener más información acerca de nuestras prácticas de recopilación de datos, consulte la política de privacidad de Dyson en www.dyson.com/privacy

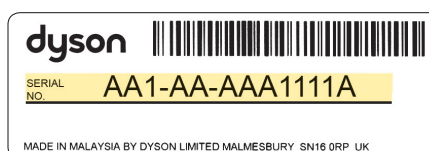
INFORMACIÓN DE ELIMINACIÓN DE RESIDUOS

- Los productos Dyson están hechos a partir de materiales reciclables de alta calidad. Recíclelo siempre que sea posible.
- Deseche o recicle las baterías de conformidad con las ordenanzas o regulaciones locales.

INFORMACIÓN DE CONFORMIDAD

Este dispositivo cumple con el artículo 15 de las Normas FCC. Su operación está sujeta a las siguientes dos condiciones: (1) Este dispositivo no debería provocar interferencia, y (2) este dispositivo debe aceptar cualquier interferencia recibida, incluyendo la que podría causar una operación indeseada. Cambios o modificaciones no aprobados por el grupo responsable de las reglas de conformidad puede invalidar la autoridad del usuario en la operación del equipo.

Anote su número de serie para futuras consultas.



Esta figura es únicamente para mostrar un ejemplo.



DYSON CUSTOMER CARE

If you have a question about your Dyson machine, call the Dyson Helpline with your serial number and details of where and when you bought the machine.

SERVICIO DE ATENCIÓN AL CLIENTE DYSON

Si tiene alguna duda acerca de su máquina Dyson, llame a la línea de ayuda de Dysonal con el número de serie e información de cuándo y dónde compró la máquina.

DYSON CONTACT DETAILS

Website: www.dyson.com

Dyson Helpline: 1-866-276-3886 (Mon-Fri 8am to 8pm CST; Sat 9am to 6pm CST).

Servicio de atención al cliente Dyson: 1-866-276-3886 (lunes a viernes de 8 a.m. – 8 p.m., hora Centro; sábados de 9 a.m. – 6 p.m., hora Centro).



WARRANTY FORM CONTINUED CONTINUACIÓN DEL FORMULARIO DE GARANTÍA

Please take a few moments to answer our questions.
They will help us develop new products for the future.

Tómese unos instantes para responder a nuestras preguntas.
Esto nos ayudará a desarrollar nuevos productos en el futuro.

1. What is the purpose of your Dyson purchase?
- My first Dyson purchase
 - A further Dyson purchase - I have previously owned other Dyson machines
 - A replacement vacuum

2. Have you ever recommended Dyson machines to other people?
- Sometimes
 - Never

3. Why did you decide to buy a Dyson vacuum?
- Cleaning performance
 - Advanced Technology/ Features
 - Style / Design
 - Warranty
 - Recommendation
 - Promotion
 - No loss of suction

4. What type of machine did you previously own?
- Upright vacuum
 - Canister vacuum
 - Cordless/handheld vacuum
 - None of the above

5. Where did you buy your Dyson vacuum?
- Bed, Bath & Beyond
 - Best Buy
 - Costco
 - Home Depot
 - Internet
 - Kohl's
 - Lowes
 - Macy's
 - Mail order catalog
 - Received as a gift
 - Sam's Club
 - Sears
 - Target
 - TV shopping network
 - Wal-Mart
 - Other

6. Where did you first hear of Dyson vacuums?
- TV/radio
 - Friends/family
 - Website
 - In-store
 - Consumer magazine
 - Other newspaper/magazine
 - Dyson Email
 - Dyson Event
 - Don't remember
 - Other

1. ¿Cuál es el motivo de su compra de un producto Dyson?
- Es mi primera compra de productos Dyson
 - Compré anteriormente un producto Dyson – Tuve antes otras máquinas Dyson
 - Una aspiradora de repuesto

2. ¿Alguna vez ha recomendado máquinas Dyson a otras personas?
- A veces
 - Nunca

3. ¿Por qué decidió comprar una aspiradora Dyson?
- Capacidad de limpieza
 - Tecnología avanzada / Funciones
 - Estilo / Diseño
 - Garantía
 - Recomendación
 - Promoción
 - No pierde succión

4. ¿Qué tipo de máquina tuvo antes?
- Aspiradora vertical
 - Aspiradora tipo canasta
 - Aspiradora portátil inalámbrica
 - Ninguna de las anteriores

5. Dónde compró su aspiradora Dyson?
- Bed, Bath & Beyond
 - Best Buy
 - Costco
 - Home Depot
 - Internet
 - Kohl's
 - Lowes
 - Macy's
 - Catálogo de pedidos por correo
 - Fue un regalo
 - Sam's Club
 - Sears
 - Target
 - Red de compras de TV
 - Wal-Mart
 - Otro

6. ¿Dónde escuchó por primera vez sobre las aspiradoras Dyson?
- TV/radio
 - Amigos/familia
 - Sitio web
 - En una tienda
 - En una revista de productos
 - En otra revista/periódico
 - Correo electrónico de Dyson
 - Evento de Dyson
 - No me acuerdo
 - Otro Gato / Perro

THANK YOU FOR YOUR TIME • GRACIAS POR DEDICARNOS SU TIEMPO





WARRANTY FORM • FORMULARIO DE GARANTÍA

Date of purchase | Fecha de compra

Serial number | Número de série

Title | Tratamiento

Surname | Apellido

First name | Nombre

Address | Dirección

Zip Code | Código postal

email | email

Telephone | Teléfono

From time to time, we'd like to tell you about new Dyson technology and services or get your opinion about your purchase. If you'd prefer us NOT to keep in touch, please tick this box.

De vez en cuando, querríamos decirle acerca de la nueva tecnología de Dyson y servicios o conseguir su opinión acerca de su compra. Marque esta casilla si prefiere que NO mantengamos contacto con usted.

3 EASY WAYS TO REGISTER YOUR 5 YEAR WARRANTY.

3 MANERAS FACILES DE REGISTRARSE SUS 5 AÑOS DE GARANTÍA.

ONLINE

Convenient and instant.
www.dyson.com/register



EN LÍNEA

Conveniente y al instante.
www.dyson.com/register

PHONE

Dyson Helpline:
1-866-276-3886 (Mon-Fri 8am to 8pm CST; Sat 9am to 6pm CST).



POR TELÉFONO

1-866-276-3886 (lunes a viernes de 8 a.m. – 8 p.m., hora Centro; sábados de 9 a.m. – 6 p.m., hora Centro).

MAIL

Complete and return the form in the envelope supplied.



POR CORREO

Complete este formulario y envíelo.

