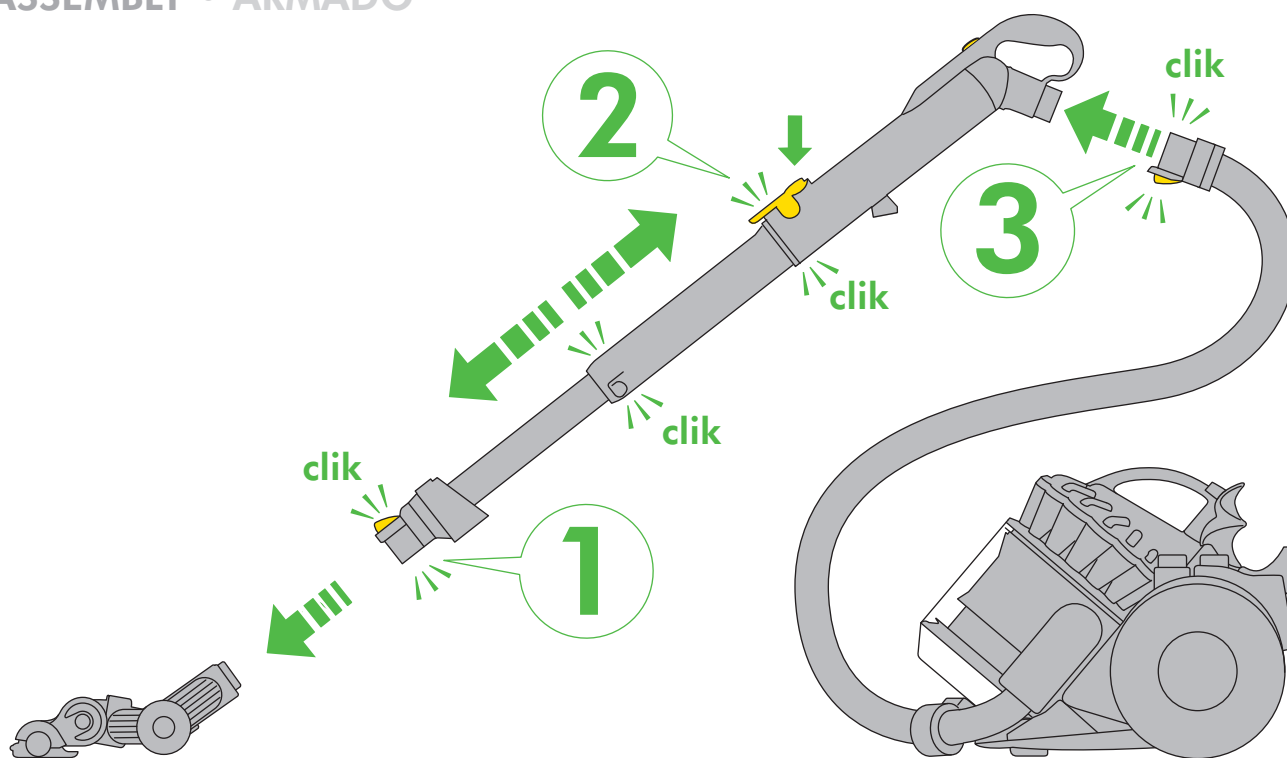


ASSEMBLY • ARMADO



 **3**
months
meses

WASH FILTERS
Wash your filters with cold water at least every 3 months.

LAVADO DE LOS FILTROS
Lave los filtros con agua fría al menos cada 3 meses.



REGISTER TODAY
3 easy ways to register your 5 year warranty.

REGISTRE HOY
3 maneras fáciles de registrarse sus 5 años de garantía.





IMPORTANT SAFETY INSTRUCTIONS

READ ALL INSTRUCTIONS BEFORE USING THIS VACUUM

When using an electrical appliance, basic precautions should always be followed, including the following:

WARNING

TO REDUCE THE RISK OF FIRE, ELECTRIC SHOCK, OR INJURY:

1. Do not leave vacuum when plugged in. Unplug from outlet when emptying the clear bin, when the vacuum is not in use and before servicing.
2. Do not use outdoors or on wet surfaces.
3. Do not allow to be used as a toy. Close attention is necessary when used by or near children.
4. Use only as described in this Operating Manual. Use only Dyson recommended accessories and replacement parts.
5. Do not use with damaged cord or plug. If the vacuum is not working as it should, has been dropped, damaged, left outdoors, or dropped into water, contact the Dyson Helpline.
6. Do not pull or carry by the cord, use the cord as a handle, close a door on the cord, or pull the cord around sharp edges or corners. Do not run the vacuum over the cord. Keep the cord away from heated surfaces.
7. Do not unplug by pulling on the cord. To unplug, grasp the plug, not the cord.
8. Do not handle plug or vacuum with wet hands.
9. Do not put any object into openings. Do not use with any opening blocked; keep free of dust, lint, hair, and anything that may reduce air flow.
10. Keep hair, loose clothing, fingers, and all parts of body away from openings and moving parts, such as the brush bar.
11. Turn off all controls before unplugging.
12. Use extra care when cleaning on stairs.
13. Do not use to pick up flammable or combustible liquids, such as gasoline, or use in areas where they may be present.
14. Do not pick up anything that is burning or smoking, such as cigarettes, matches, or hot ashes.
15. Do not use without clear bin and filters in place.
16. Hold plug when rewinding onto cord reel. Do not allow plug to whip when rewinding.

SAVE THESE INSTRUCTIONS

THIS APPLIANCE IS INTENDED FOR HOUSEHOLD USE ONLY

POLARIZATION INSTRUCTIONS

To reduce the risk of electric shock, this appliance has a polarized plug (one blade is wider than the other). This plug will fit in a polarized outlet only one way. If the plug does not fit fully in the outlet, reverse the plug. If it still does not fit, contact a qualified electrician to install a proper outlet. Do not change the plug in any way.



Do not pull on the cord.



Do not store near heat sources.



Do not use near open flame.



Do not run over the cord.



Do not pick up water or liquids.



Do not pick up burning objects.



Do not use above you on the stairs.



Do not put hands near the brush bar when the vacuum is in use.



Do not put your hands into the air duct leading to the pre-motor filter.



INSTRUCCIONES DE SEGURIDAD IMPORTANTES

LEA TODAS LAS INSTRUCCIONES ANTES DE UTILIZAR LA ASPIRADORA

Al utilizar un aparato eléctrico, siempre debe tener precauciones básicas, incluyendo las que se enumeran a continuación:

PELIGRO

PARA DISMINUIR EL RIESGO DE PROVOCAR UN INCENDIO, RECIBIR UNA DESCARGA ELÉCTRICA O LESIONES:

1. No deje la aspiradora sola cuando esté enchufada. Desenchufe del tomacorriente cuando esté desocupando el cubo transparente, cuando la aspiradora no esté en uso y antes de revisarla.
2. No utilice el aparato al aire libre o sobre superficies húmedas.
3. No permita que el aparato sea utilizado como un juguete. Preste mucha atención si es utilizado por niños y cerca de ellos.
4. Utilice el aparato sólo como se describe en este manual. Utilice solamente los accesorios Dyson recomendados.
5. No utilice el aparato si el cable o el enchufe están dañados. Si la aspiradora no funciona como debería, si se cayó, fue dañada, dejada al aire libre o sumergida en agua, comuníquese con la línea de ayuda de Dyson.
6. No utilice el cord como una manija ni tire de él, evite también atrapar el cord al cerrar una puerta o tirar de éste alrededor de esquinas o bordes filosos. No pise el cord con la aspiradora. Mantenga el cord alejado de superficies calientes.
7. No desconecte el aparato tirando del cord. Para desconectar, tome el enchufe y no el cord.
8. No toque el enchufe o la aspiradora con las manos mojadas.
9. No obstruya las aberturas del aparato con ningún objeto. No utilice el aparato si tiene alguna abertura obstruida; manténgalas libres de polvo, pelusas, cabellos o cualquier otra cosa que pueda reducir la circulación del aire.
10. Mantenga el cabello, ropa suelta, los dedos y cualquier otra parte del cuerpo alejados de las aberturas y de las partes móviles, como el cepillo.
11. Apague todos los controles antes de desconectar el aparato.
12. Tenga mucho cuidado cuando utilice la aspiradora sobre una escalera.
13. No aspire líquidos inflamables o combustibles como gasolina, ni la utilice en áreas dónde pueda haber este tipo de líquido.
14. No aspire nada que se esté quemando o que emita humo, como cigarrillos, fósforos o cenizas calientes.
15. No utilice la aspiradora si el compartimiento cubo transparente y los filtros no están colocados en su lugar.
16. Sostenga el enchufe cuando lo rebobine dentro del carrete del cable. No permita que el enchufe le pegue cuando lo este rebobinando.

CONSERVE ESTAS INSTRUCCIONES

ESTE APARATO ES PARA USO DOMÉSTICO SOLAMENTE

INSTRUCCIONES DE POLARIZACIÓN

Para disminuir el riesgo de choque eléctrico, este aparato lleva un enchufe polarizado (una clavija es más ancha que la otra). Este enchufe se conecta a una toma de corriente polarizada de una sola forma. Si el enchufe no entra totalmente en la toma de corriente, dé la vuelta al enchufe. Si sigue sin entrar bien, póngase en contacto con un electricista calificado para instalar una toma de corriente correcta. No cambie el enchufe de ninguna manera.



No tire del cable.



No guarde la aspiradora cerca de fuentes de calor.



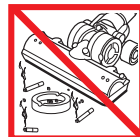
No utilice la aspiradora cerca de una llama.



No pise el cable.



No aspire agua ni ningún tipo de líquido.



No aspire objetos que estén ardiendo.



No coloque la aspiradora por encima de usted cuando esté en una escalera.

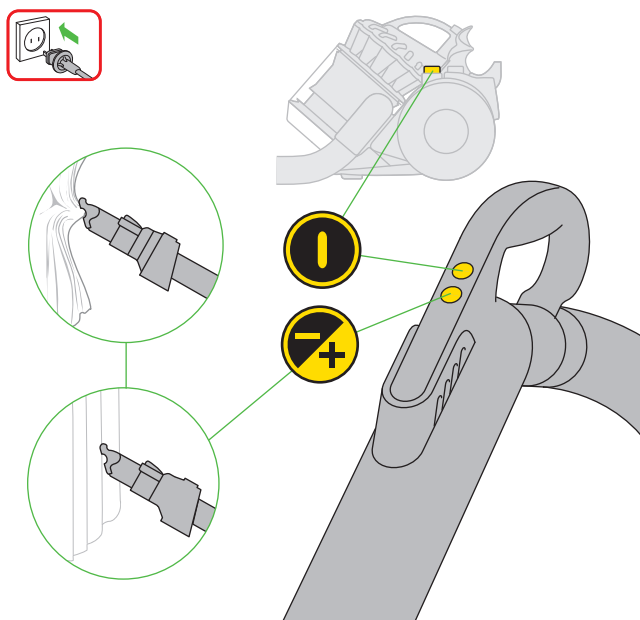


No ponga sus manos cerca del cepillo cuando esté utilizando la aspiradora.

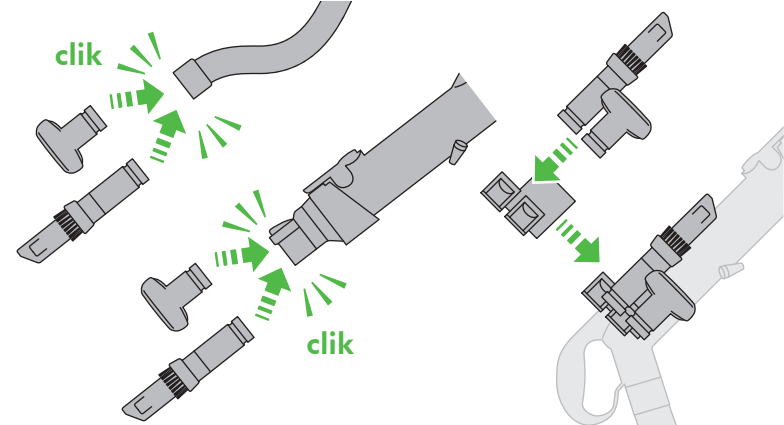


No ponga sus manos dentro del conducto de aire que va al filtro del pre-motor.

Power • Apogado Suction release • Aspiración variable



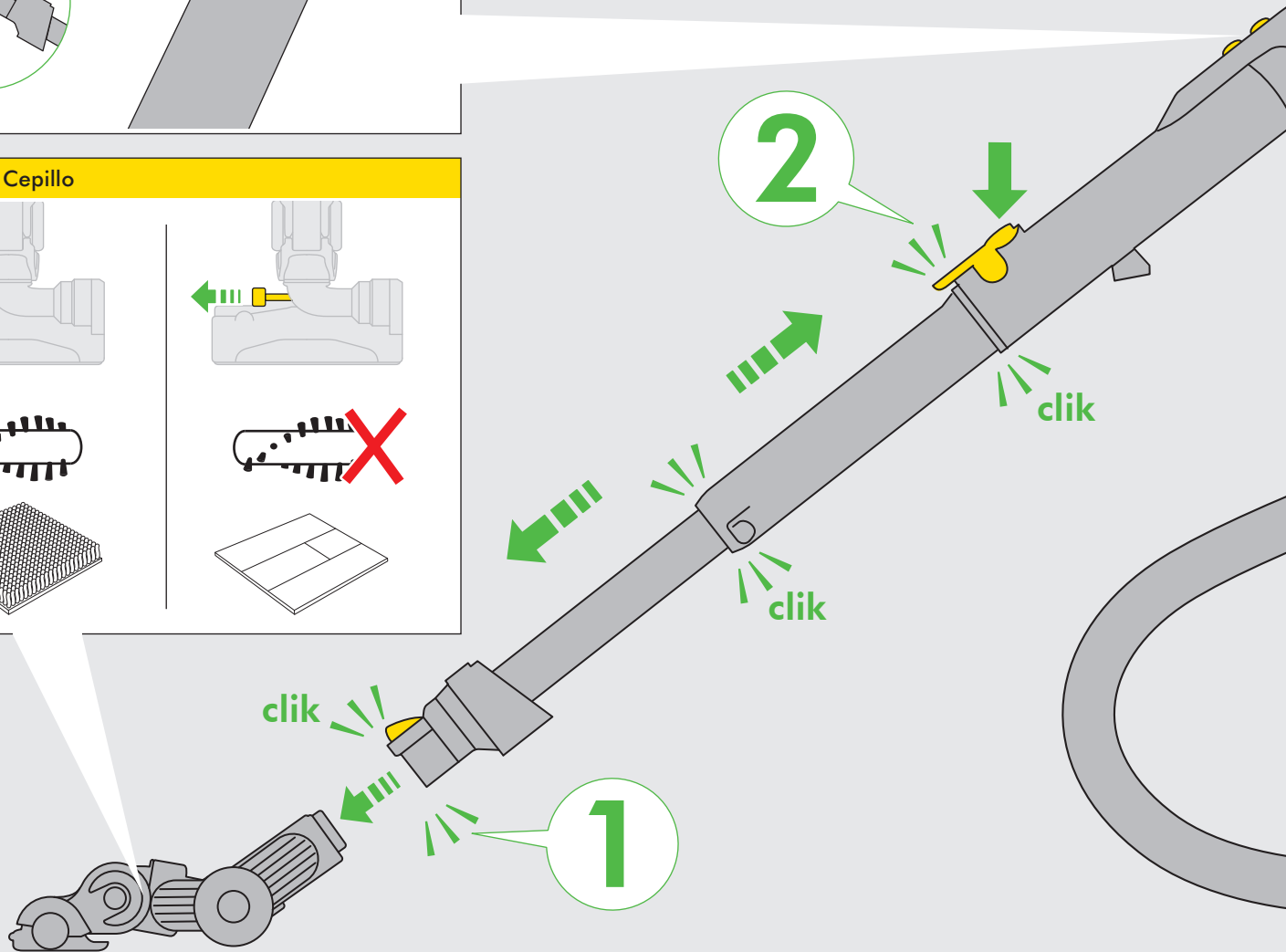
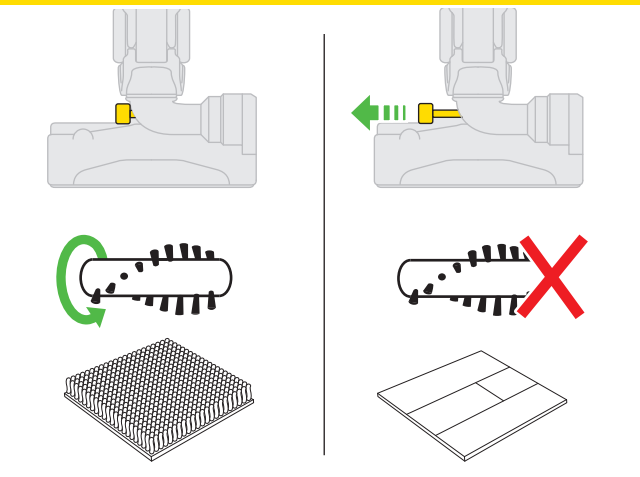
Tools • Accesorios



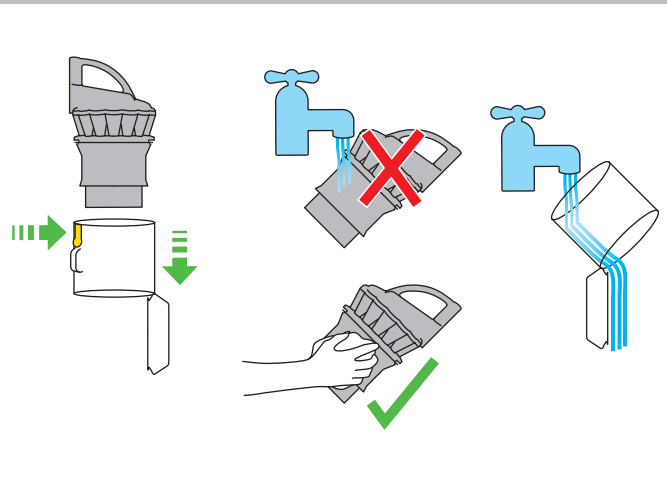
Sto



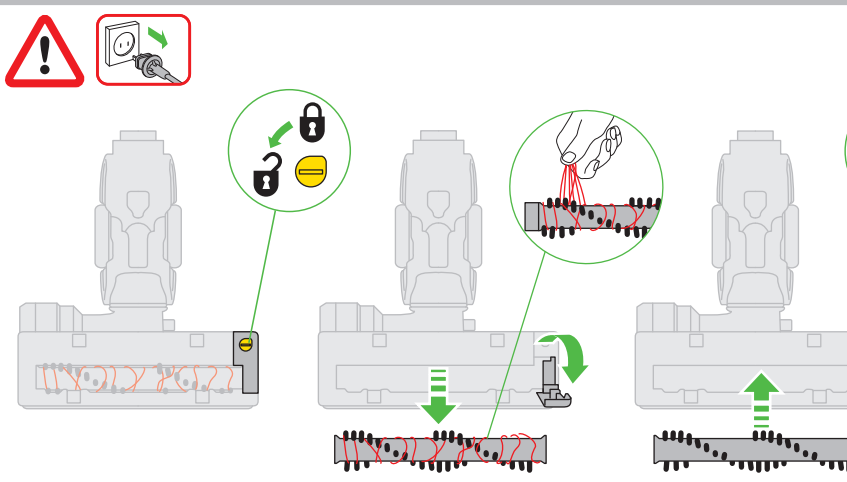
Floor tool • Cepillo



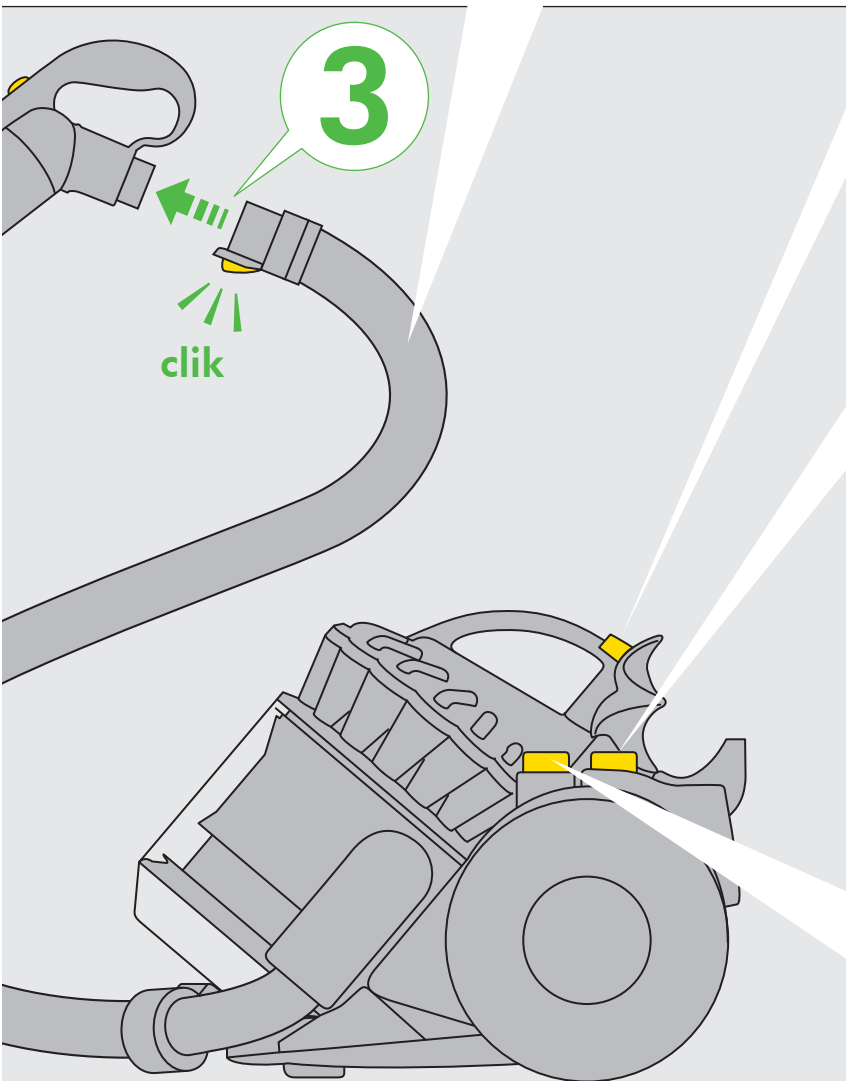
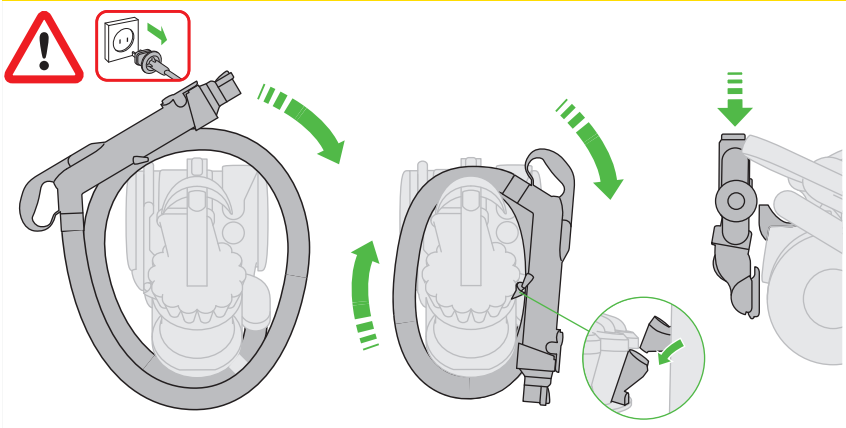
Cleaning • Limpiza el cubo



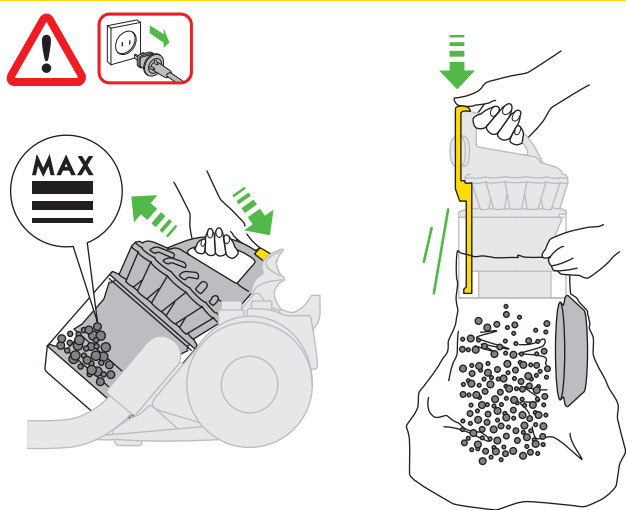
Blockages • Bloqueos



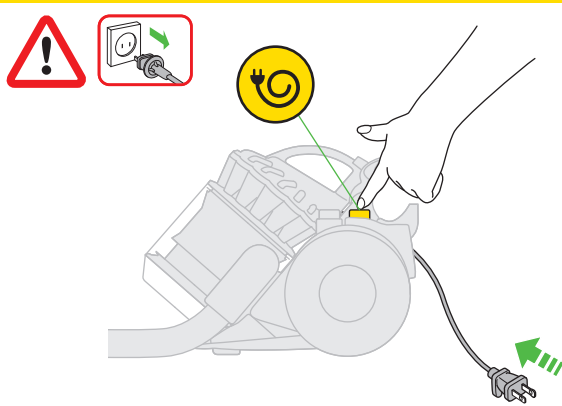
Storage • Almacenaje




Emptying • Vaciado del cubo





Cord rewind • Recogecord

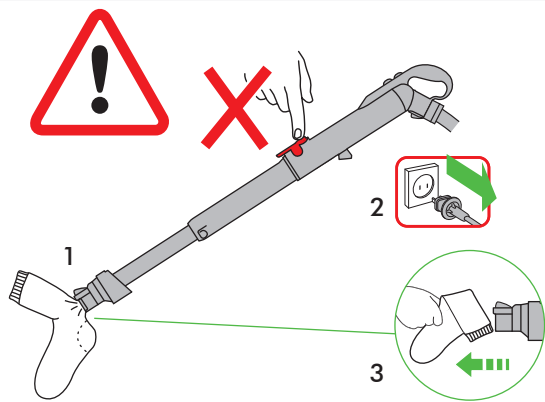
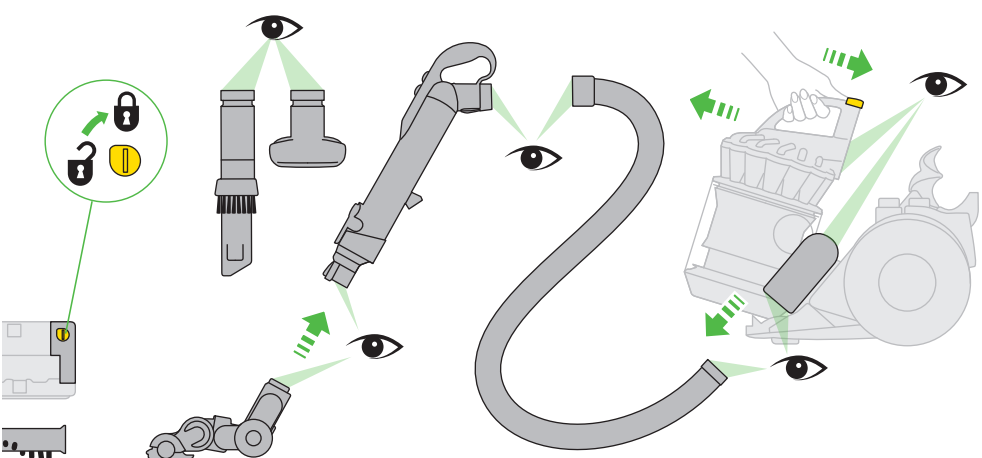


Light diagnostics • Luz o luces de diagnóstico

-  Power on • Encendido

-  Filter missing or fitted incorrectly – unplug and check filter • Falta el filtro o está colocado incorrectamente – desenchufar y revisar el filtro

-  Machine blockage – unplug and check for blockage • Obstrucción en la máquina – desenchufar y revisar la obstrucción

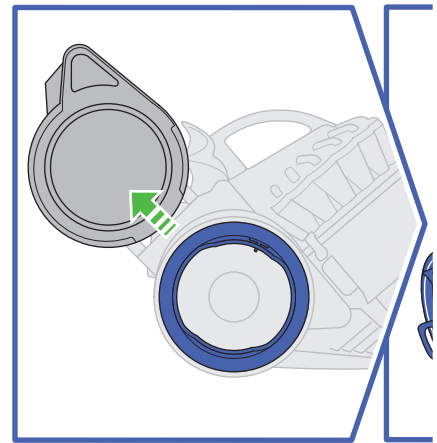
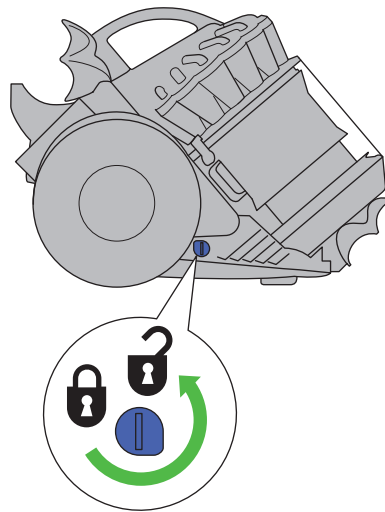


IMPORTANT!

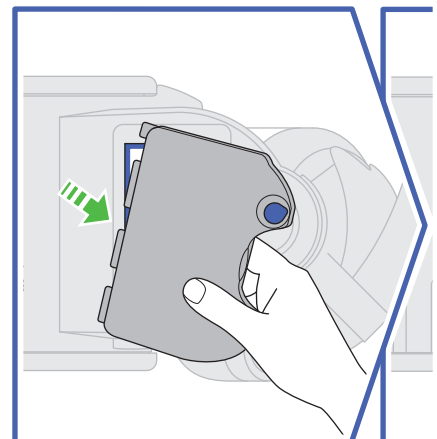
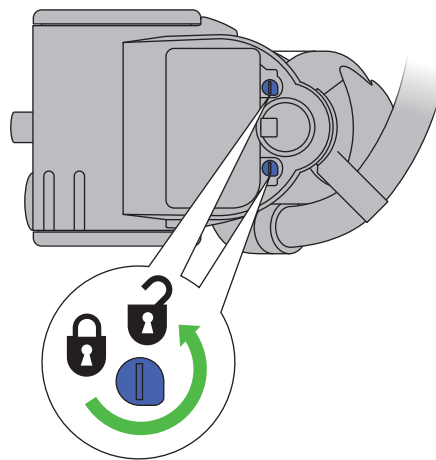
WASH FILTERS LAVADO DE LOS FILTROS



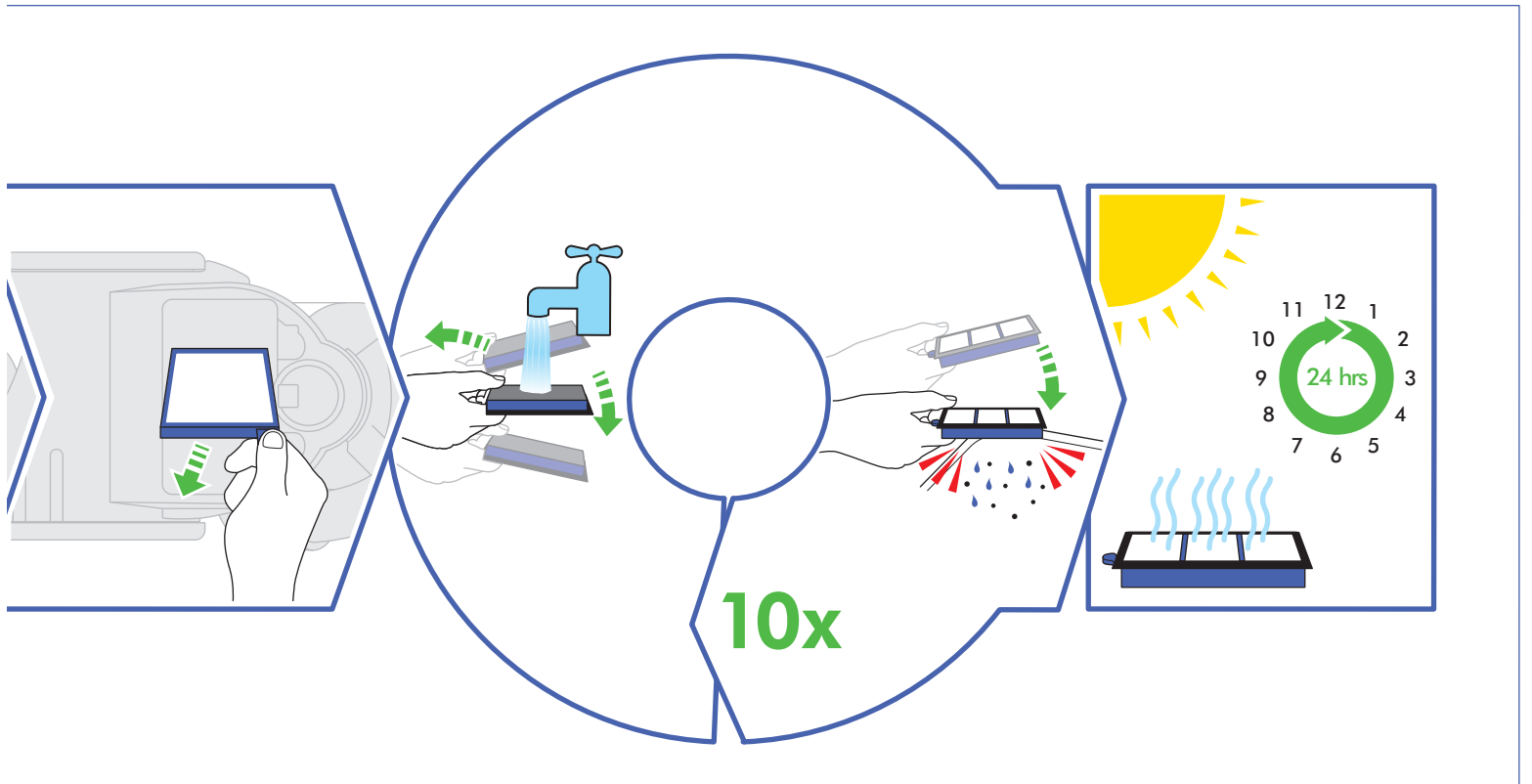
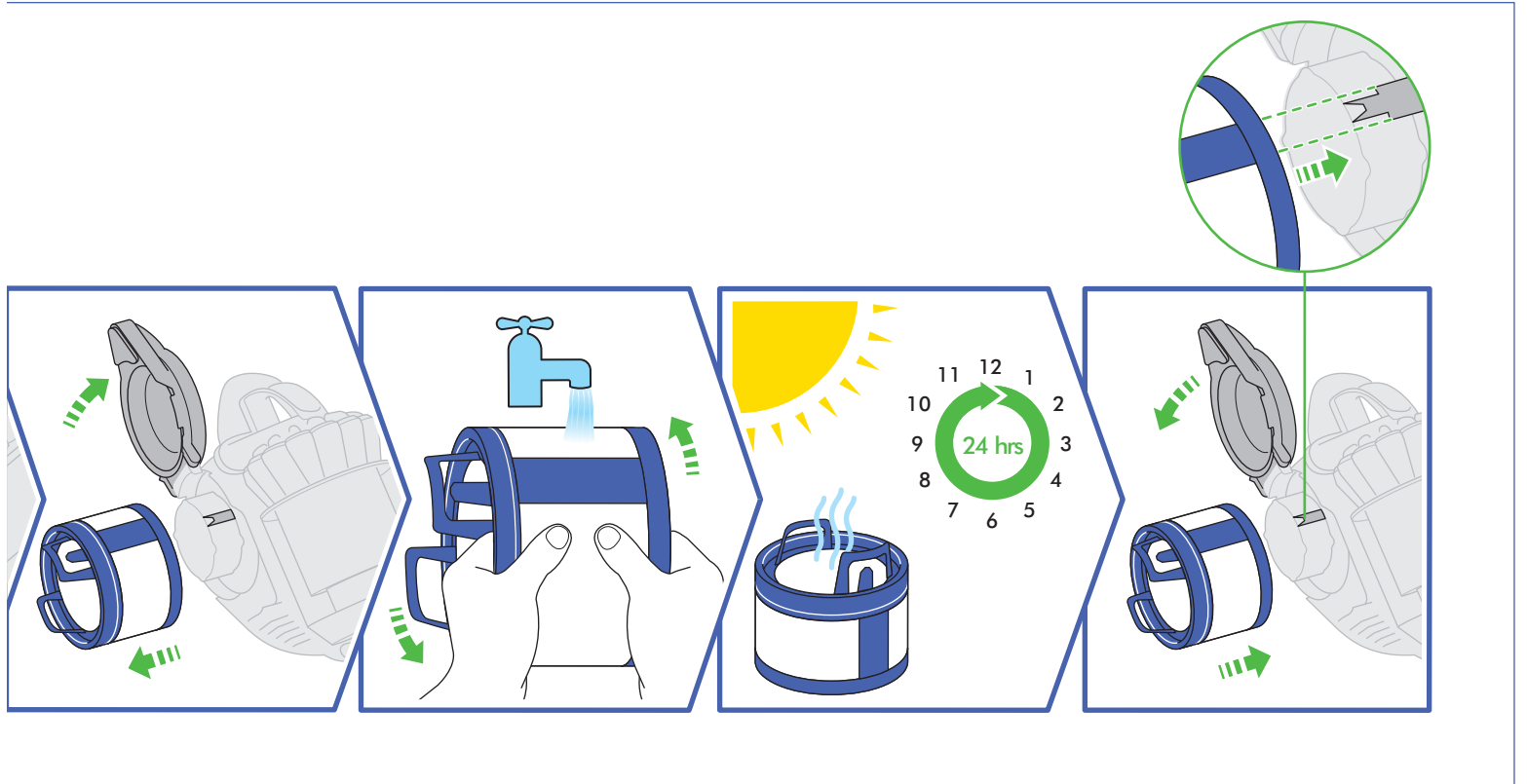
Filter • Filtro **A**



Filter • Filtro **B**



Wash filters with cold water at least every 3 months.
Lave los filtros con agua fría al menos cada 3 meses.



Rinse and shake filters under tap. Turn over (under cold water) and tap very firmly to remove microscopic particles. Repeat 10x until water runs clear.

Enjuague y mueva el filtro debajo del grifo. De vuelta el filtro y golpéelo firmemente para eliminar las emisiones del motor. Repita 10 veces o hasta que el agua corra limpia.

USING YOUR DYSON VACUUM

⚠ CAUTION:

- Do not allow the vacuum to be used by anyone who may not be able to operate it safely.
- Do not use your vacuum outdoors or on wet surfaces, or to vacuum water or other liquids – electric shock or personal injury could occur.
- If the cord is damaged, turn power off and disconnect from the outlet immediately. The cord must only be replaced by Dyson or our appointed service agents to avoid a hazard.
- Take extra care when vacuuming on stairs; always work with the vacuum at the bottom of the stairs. Keep the vacuum on the floor. Do not put the vacuum on chairs, tables etc.
- Switch off and unplug the vacuum before changing accessories, removing the clear bin, filters, hose, checking for blockages or before performing any other maintenance operation.
- The use of an extension cord is not recommended.
- Do not lubricate any parts, or carry out any maintenance or repair work other than that shown in this Operating Manual, or as advised by the Dyson Helpline.
- If the vacuum is not functioning properly, has been dropped, damaged, left outdoors, or immersed in liquid, contact the Dyson Helpline.
- Check to ensure your electricity supply corresponds to that shown on the rating plate which can be found behind the clear bin. The vacuum must only be used as rated.
- Do not press the cyclone release button while carrying the vacuum or it could fall and cause injury.

PLEASE NOTE:

- The brush bar will reset to 'ON' each time you start the vacuum.
- Consult your flooring manufacturer's recommended instructions before vacuuming and caring for your flooring, rugs and carpets. Some carpets will fuzz if a rotating brush bar is used when vacuuming. If this happens, we recommend vacuuming in bare floors mode and consulting with your flooring manufacturer.
- This vacuum is designed for household indoor and car use only; it should not be used or stored outdoors. It should not be used for commercial or rental purposes.
- The vacuum may be used inside a garage only with the Model 08909 Dyson Car Cleaning Kit accessories. If used in a garage, care should be taken to wipe the soleplate and wheels with a dry cloth after vacuuming to clean off any sand, dirt or pebbles which could damage delicate floors.
- Fine dust such as plaster dust or flour should only be vacuumed in very small amounts.
- Do not use the vacuum to pick up sharp hard objects, small toys, pins, paper clips etc., because they may damage the vacuum.
- When vacuuming, certain carpets may generate small static charges in the clear bin or wand. These are not associated with the electricity supply. To minimize any effect from this, do not put your hand or insert any object into the clear bin unless you have first emptied it and rinsed it out with cold water.
- If you need to reprogram the remote control on the wand please contact the Dyson Helpline.

EMPTYING THE CLEAR BIN

⚠ CAUTION:

- Turn power off and unplug before emptying the clear bin and do not leave unattended. The motor will operate with the clear bin off.

PLEASE NOTE:

- Empty the clear bin as soon as the MAX mark level is reached.
- To remove the clear bin from the vacuum press the button at rear of cyclone carrying handle. To release the dirt, press the red clear bin release button.
- Do not use the vacuum without the clear bin in place. Failure to do so could result in electric shock or personal injury.
- To minimize dust/allergen contact when emptying, encase bin tightly in a plastic bag and empty. Remove bin carefully and seal bag tightly, dispose as normal.
- Emptying inside a bag is recommended for allergy sufferers.

CLEANING THE CLEAR BIN

⚠ CAUTION:

- Do not immerse the whole cyclone in water.
- Ensure clear bin is completely dry before re-fitting.

PLEASE NOTE:

- Do not use detergents, polishes or air fresheners to clean the clear bin.
- Clean the shroud with a cloth or dry brush to remove lint and dust.
- Do not put the clear bin in a dishwasher.

WASHING YOUR FILTERS

⚠ CAUTION:

- Switch 'OFF' and unplug the vacuum before removing the filters.
- Ensure filters are completely dry before refitting to the vacuum.

PLEASE NOTE:

- This vacuum has two filters, located as shown. It is important to check your filters regularly and wash at least every three months according to instructions, to maintain performance.
- Filter B should be rinsed and tapped out until the water runs clean, then tapped out again to ensure all excess water is removed. This will normally require up to 10 rinse cycles. Please leave to dry completely for 24 hours.
- The filters may require more frequent washing if vacuuming fine dust.
- Do not use detergents to clean the filters.
- Do not put the filters in a dishwasher, washing machine, tumble dryer, oven, microwave or near an open flame.

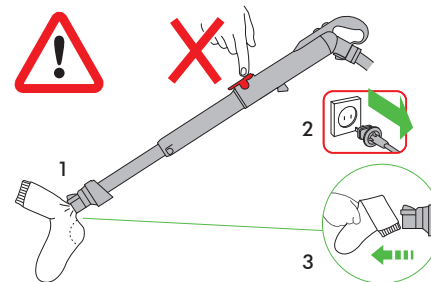
CLEARING BLOCKAGES

⚠ CAUTION:

- Turn power off and unplug before checking for blockages. Failure to do so could result in electric shock or personal injury.
- Clear blockage before re-starting.
- Beware of sharp objects when clearing blockages.
- Refit all parts of the vacuum securely before using it.

PLEASE NOTE:

- Clearing blockages is not covered by your vacuum's limited warranty.
- This vacuum is fitted with an automatically resetting thermal cut-out. If the vacuum overheats it will cut-out and it must then be switched off and unplugged immediately and allowed to cool down before attempting to check filters or for blockages.
- Large items may block the tools or wand inlet, if this happens switch the vacuum off and remove the plug before removing the blockage. Do not operate the wand release catch.



DYSON CUSTOMER CARE

THANK YOU FOR CHOOSING TO BUY A DYSON VACUUM

If you have a question about your Dyson vacuum, call the Dyson Helpline at 1-866-693-9766 with your serial number and details of where and when you bought the vacuum. Your serial number can be found on the rating plate, which is behind the clear bin.

Most questions can be solved over the phone by one of our Dyson Helpline staff. If your vacuum needs service, call the Dyson Helpline so we can discuss the available options. If your vacuum is under warranty, and it is a covered repair, it will be repaired at no cost.

DYSON HELPLINE

Call 1-866-693-9766 toll free, 7 days a week.

PLEASE REGISTER AS A DYSON VACUUM OWNER

To help us ensure you receive prompt and efficient service, please register as a Dyson vacuum owner.

There are three ways to do this:

- Online at www.dyson.com
 - By calling the Dyson Helpline: 1-866-693-9766.
 - By completing and returning the attached Warranty Form to us by mail.
- This will confirm ownership of your Dyson vacuum in the event of an insurance loss, and enable us to contact you if necessary.

5 YEAR WARRANTY

Terms and conditions of the Dyson 5 year limited warranty.

WHAT IS COVERED

Your Dyson vacuum is warranted against original defects in material and workmanship for a period of five years from the date of purchase, when used for private household purposes in accordance with the Operating Manual. This warranty provides, at no extra cost to you, all labor and parts necessary to ensure your vacuum is in proper operating condition during the warranty period. This limited warranty is subject to the following terms:

WHAT IS NOT COVERED

Dyson, Inc shall not be liable for costs, damages or repairs incurred as a result of:

- Vacuums purchased from an unauthorized dealer.
- Clearing blockages from your vacuum.
- Use of parts not in accordance with the Operating Manual.
- Careless operation or handling, misuse, abuse and/or lack of maintenance or use not in accordance with the Operating Manual.
- External sources such as weather.
- Repairs or alterations carried out by unauthorized parties or agents.
- Use of the vacuum other than for normal household purposes within United States e.g. for commercial or rental purposes.
- Normal wear and tear, including normal wearing parts such as belt, filter, brush bar, hose assembly and power cord (or where external damage or abuse is diagnosed).
- Use of parts and accessories other than those produced or recommended by Dyson, Inc.

WARRANTY SERVICE

- Please fill out and return the Warranty Form.
- Before service can take place, the terms of the limited warranty require that you contact the Dyson Helpline with your model name/number, serial number, date and place of purchase. Please keep your purchase receipt in a safe place to ensure you have this information. The serial number is found on the vacuum's rating plate, which is behind the clear bin.
- All work will be carried out by Dyson, Inc or its authorized agents.
- Any replaced defective parts will become the property of Dyson, Inc.
- Service under this warranty will not extend the period of this warranty.
- If your vacuum is not functioning properly, please call the Dyson Helpline at 1-866-693-9766. Most issues can be rectified over the telephone by our trained Customer Care staff. If this is not possible Dyson, Inc will arrange for your vacuum to be repaired and returned in full working order at no extra cost to yourself.

WARRANTY LIMITATIONS AND EXCLUSIONS

- Any implied warranties relating to your vacuum, including but not limited to warranty of merchantability or warranty of fitness for a particular purpose, are limited to the duration of this warranty. This limitation is not allowed by some States and so this limitation may not apply to you.
- Your remedy for breach of this warranty is limited to the warranty service described above. Dyson, Inc will not be liable for any consequential damages or incidental damages you may incur in connection with your purchase and use of your vacuum. This limitation is not allowed by some States and so this limitation may not apply to you.
- This limited warranty gives you specific legal rights. You may also have other rights which vary by State.
- This limited warranty is not transferable.

IMPORTANT DATA PROTECTION INFORMATION

Your details will be held by Dyson, Inc or others on behalf of Dyson, Inc so that we can assist you more quickly in our Customer Service department. From time to time, Dyson, Inc may send you special offers and news of our latest innovations. Check the box on the Warranty Form within the Operating Manual if you do not wish to receive marketing or promotional information from Dyson, Inc. For more information about our data collection practices, please refer to the Dyson, Inc privacy policy at www.dyson.com/privacy

CONFORMITY INFORMATION

This device complies with Part 15 of the FCC rules. Operation is subject to the following two conditions: (1) this device may not cause interference, and (2) this device must accept any interference, including interference that may cause undesired operation of the device. Changes or modifications not expressly approved by the party responsible for compliance could void the user's authority to operate the equipment.

PRODUCT INFORMATION

Product weight 16.07lbs (7.29 kg), Voltage 120V, 60Hz, Maximum power 1100W.

This product is protected by the following intellectual property rights:

PATENT/PATENT APPLICATION NUMBERS:

AU 637272; EP 0636338; JP 1948863; US 5,078,761; AU 697029; EP 0800360; JP 3449723; US 5,893,936; AU 736843; EP 1087688; JP 3550360; AU 2001240894; EP 1268076; JP 2003-528704; US 6,835,222; AU 2002226556; CA 2,439,250; EP 1370172; JP 2004-528876; US 6,991,666; AU 744408; EP 1361812; JP 2004-537336; US 7,278,181; AU 2003252873; CA 2,449,304; EP 1380247; JP 2004-100960; US 7,168,128; AU 2002233553; CA 2,439,247; EP 1365676; JP 2004-524097; US 2004-0078925; AU 2002225232; CA 2,438,079; EP 1361815; JP 3940082; US 6,974,488; JP 2007-152136; GB 2407022; JP 2004-023962; AU 2003-255837; EP 1551270; GB 2392827; JP 2004-023963; US 2004-023963; EP 1576719; GB 2396491; JP 2006-511186; US 2006-0132081; EP 1542574; EP 1664560; GB 2406146; JP 2007-506053; US 2007-230839; EP 1680858; JP 2007-506398; US 2007-0194637; AU 2005243851; CA 2,564,599; EP 1748848; GB 2413974; JP 2007-508967; US 2007-0175189; AU 2005244379; CA 2,566,071; EP 1748718; GB 2413941; JP 2007-510099; US 2007-0226937; AU 2005243454; CA 2,566,406; EP 1748719; GB 2413942; JP 2007-512311; US 11/596,174; US 11/794,227; GB 2426726; WO 2006/125945; GB 2426473; WO 2006/125946.

REGISTERED DESIGN/APPLICATION NUMBERS:

AU 301268; ED 217666-0001; GB 3016553; JP 1228173; US D518933; AU 301393; ED 241930-0001; GB 3017293; JP 1236657; US D526102; AU 301396; ED 241930-0002; GB 3017294; JP 1236658; US D537219; AU 301394; ED 241930-0003; GB 3017295; JP 1236659; US D519,696; AU 314889; GB 4000251; JP 1311067; ED 701701-0001.

Equivalent patents, registered designs and applications exist in other countries.

CÓMO UTILIZAR SU ASPIRADORA DYSON

⚠ ADVERTENCIA:

- No permita que nadie que no pueda operar la aspiradora de modo seguro la haga funcionar.
- No utilice su aspiradora al aire libre ni sobre superficies húmedas. Si la utiliza en un garaje, tenga extremo cuidado de limpiar la placa base y las ruedas con un paño seco después de aspirar para quitarles la arena, suciedad o piedritas que podrían dañar los pisos delicados.
- Si el ón está dañado, apague la corriente y desconéctela del enchufe inmediatamente. El cord sólo debe ser reemplazado por Dyson o por nuestro agente de servicio designado para evitar un riesgo.
- Apague y desenchufe la aspiradora antes de cambiar los accesorios, retirar el cubo transparente los filtros, la manguera, revisar si hay obstrucciones o realizar cualquier otra operación de mantenimiento.
- No se recomienda el uso de un cord de extensión.
- No lubrique ninguna pieza, ni realice ningún trabajo de mantenimiento o reparación aparte de los mostrados en este manual o los aconsejados por la Línea Directa de Asistencia al Cliente de Dyson.
- Si el electrodoméstico no funciona correctamente, se ha caído, dañado, se ha dejado al aire libre o ha estado en contacto con cualquier líquido, póngase en contacto con la Línea Directa de Asistencia al Cliente.
- Compruebe que la corriente eléctrica se corresponda con la que figura en la placa de calificación, la cual se encuentra detrás del cubo transparente.
- La máquina sólo debe utilizarse conforme a las características técnicas.
- No presione el botón de liberación del Cyclone mientras transporta la máquina, ya que podría caerse y provocar un accidente.
- Desenchufe de la corriente antes de conectar o desconectar los accesorios.

RECUERDE:

- Los cepillos rotatorios volverán a la posición de 'ON' cada vez que encienda la máquina.
- Consulte las instrucciones recomendadas por el fabricante de su piso antes de aspirar y cuidar sus pisos y alfombras. Algunas alfombras formarán pelusa si utiliza el cepillo rotatorio mientras aspira. Si esto sucede, recomendamos aspirar en el modo de pisos expuestos y consultar con el fabricante de su piso.
- Este aparato está diseñado para uso doméstico únicamente en interiores y en el coche, no debería usarse, ni guardarse en espacios exteriores. No debe usarse para fines comerciales ni de alquiler.
- La aspiradora puede usarse dentro de un garaje, únicamente con los accesorios del Kit delimpieza para el coche Dyson Modelo O8909. Si se utiliza en un garaje, tengaextremo cuidado de limpiar la placa base y las ruedas con un paño seco despuésde aspirar, para quitarles la arena, suciedad o piedritas que podrían dañar lospisos delicados.
- Por favor tome nota: esta máquina es solamente para uso doméstico. Las partículas pequeñas de polvo, como el polvo de construcción o la harina, sólo se deben aspirar en cantidades pequeñas.
- No utilice la máquina para recoger objetos duros cortantes, juguetes pequeños, alfileres, sujetapapeles, etc., ya que podrían dañar la máquina.
- Al aspirar, algunas alfombras pueden generar pequeñas descargas de estática enel cubo transparente o en el tubo. Éstas no están asociadas al suministro decorriente eléctrica. Para minimizar sus efectos, no coloque su mano ni introduzcaningún objeto en el cubo transparente, a menos que primero lo haya vaciado y lavado con agua fría.
- Si usted necesita reprogramar el control remoto en la varilla por favor contacte a la línea de ayuda de Dyson.

CÓMO VACIAR EL CUBO TRANSPARENTE

⚠ ADVERTENCIA:

- Apague la corriente y desenchufe antes de desocupar el cubo transparente y no la deje desatendida. El motor operará con el cubo transparente apagado.

RECUERDE:

- Vacíelo lo antes posible cuando la suciedad alcance el nivel de la marca Max – no deje llenar de más.
- Para quitar el cubo transparente de la máquina, presione el botón que está detrás de la manija extractora de polvo para trasladar la aspiradora. Para tirar la basura, presione el botón rojo para soltar el extractor de polvo.
- Para minimizar el contacto con el polvo y alérgenos, fije en el cubo una bolsa de plástico y vacíelo en ella. Quite el cubo con cuidado y cierre la bolsa fuertemente, deshágase de la bolsa.
- No use la máquina si el cubo transparente no está en su sitio. De lo contrario podría recibir un choque eléctrico o sufrir un accidente personal.
- Se recomienda vaciarlo en una bolsa a aquellas personas que sufran de alergias.

LIMPIEZA DEL CUBO TRANSPARENTE

⚠ ADVERTENCIA:

- No sumerja todo el Cyclone en agua.
- Asegúrese de que el cubo esté completamente seco antes de volver a colocarlo.

RECUERDE:

- No utilice detergentes, pulidores ni aromatizantes para limpiar el cubo transparente.
- Limpie la rejilla con un paño o un cepillo seco para eliminar la pelusa y el polvo.
- No coloque el cubo transparente en el lavavajillas.

CÓMO LAVAR LOS FILTROS

⚠ ADVERTENCIA:

- Apague la aspiradora y desconéctela antes de quitar los filtros.
- Asegúrese de que los filtros estén totalmente secos antes de volver a colocarlos en la aspiradora.

RECUERDE:

- Esta aspiradora tiene dos filtros, ubicados como se muestra en las ilustraciones. Es importante controlar los filtros con regularidad y lavarlos al menos una vez al mes de acuerdo con las instrucciones, para mantener el funcionamiento del aparato.
- Enjuagar y sacudir el filtro B hasta que el agua salga limpia. Sacudir hasta quitar todo el exceso de agua. Este proceso normalmente requiere sacudir el filtro hasta 10 veces. Déjelo secar por completo durante 24 horas.
- Si se aspira polvo fino, será necesario lavar los filtros con mayor frecuencia.
- No use detergentes para limpiar los filtros.
- No coloque los filtros en el lavavajillas, el lavarrropas, la secadora, el horno, el microondas o cerca del fuego.

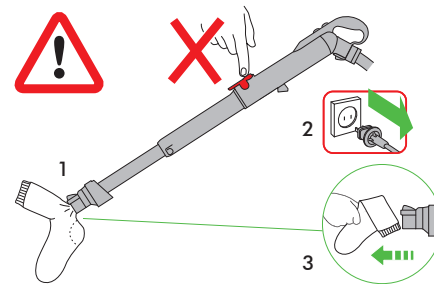
ELIMINACIÓN DE LAS OBSTRUCCIONES

⚠ ADVERTENCIA:

- Apague y desenchufe la máquina antes de revisar en busca de obstrucciones. De lo contrario podría recibir un choque eléctrico o un accidente personal.
- Elimine la obstrucción antes de volver a encender la máquina.
- No utilice objetos cortantes para eliminar las obstrucciones.
- Vuelva a colocar todas las piezas de la máquina de modo seguro antes de usarla.

RECUERDE:

- La limpieza de obstrucciones no está cubierta por la garantía limitada de su máquina.
- Si alguna parte de su máquina se bloquea, puede recalentarse y apagarse automáticamente. Desenchufe la máquina y déjela enfriar.
- Los objetos grandes pueden bloquear los cepillos o la empuñadura. Si esto ocurriese, apague y desenchufe la aspiradora antes de eliminar la obstrucción. No utilice el botón para reducir la succión mientras la aspiradora esté en marcha.



SERVICIO DE ATENCIÓN AL CLIENTE DYSON

GRACIAS POR ELEGIR COMPRAR UNA ASPIRADORA DYSON

Si tiene alguna duda acerca de su aspiradora Dyson, llame a la línea de ayuda de Dyson al 1-866-693-9766 con el número de serie e información de cuándo y dónde compró el producto. Encontrará el número de serie en la placa de datos de calificación que se encuentra detrás del compartimiento cubo transparente. Si tiene más preguntas, puede consultar por teléfono a algún miembro de la línea de ayuda. Si su aspiradora necesita ser reparada llame a la Línea de ayuda de Dyson para poder analizar las opciones disponibles. Si su aspiradora tiene garantía y la reparación necesaria está incluida dentro de esa garantía, se reparará sin costo alguno.

LÍNEA DIRECTA DE ASISTENCIA AL CLIENTE DE DYSON

Llame al 1-866-693-9766 gratis, los 7 días de la semana.

POR FAVOR REGÍSTRESE COMO PROPIETARIO DE UNA ASPIRADORA DYSON

Para ayudarnos a asegurarle que reciba un servicio rápido y eficaz por favor regístrese como propietario de una aspiradora Dyson. Hay dos maneras de hacerlo:

- En línea en www.dyson.com
 - Llamando gratis a la línea de ayuda de Dyson 1-866-693-9766.
 - Completando y enviándonos por correo el formulario que se adjunta.
- Esto confirmará que la aspiradora Dyson es de su propiedad en caso de que ocurra una pérdida cubierta por el seguro, y nos permitirá contactarle si fuese necesario.

5 AÑOS DE GARANTÍA

Términos y condiciones de la garantía limitada de 5 años de Dyson.

QUÉ ESTÁ CUBIERTO

Su aspiradora Dyson está garantizada contra defectos originales de material o mano de obra por un período de cinco años a partir de la fecha de compra, cuando se utilice para fines domésticos privados y de acuerdo con el Manual de Instrucciones de Dyson. Esta garantía proporciona, sin costo para usted, toda la mano de obra y piezas para poner su aspiradora en perfectas condiciones de funcionamiento durante el plazo de garantía. Esta garantía está sujeta a los siguientes términos:

QUÉ NO ESTÁ CUBIERTO

Dyson no será responsable de los costos incurridos como resultado de:

- Aspiradoras compradas a proveedores no autorizados.
- Eliminar obstrucciones de su máquina.
- El uso de piezas que no estén contempladas al Manual de Instrucciones.
- El funcionamiento o manejo descuidado, uso indebido y/o falta de mantenimiento o el uso de forma contraria a el Manual de Instrucciones.
- Factores externos, como por ejemplo el clima.
- Reparaciones o alteraciones llevadas a cabo por partes o agentes no autorizados.
- El uso de la aspiradora contrario a los usos domésticos normales dentro de los Mexico, por ejemplo, para el uso comercial o alquiler.
- Uso y desgaste normal, incluido desgaste normal de partes como banda, filtro, cepillo, ensamble de la manguera, y cord de corriente (o donde se diagnostique daño o abuso externo).
- El uso de piezas y accesorios que no sean los producidos o recomendados por Dyson.

SERVICIO DE GARANTÍA

- Por favor complete y devuelva el Formulario de registro del producto.
- Antes de poder realizar el servicio, los términos de la garantía exigen que se ponga en contacto con la Línea Directa de Asistencia al Cliente de Dyson y que proporcione el nombre/número del modelo, número de serie, y la fecha y sitio de compra. Por favor mantenga la factura de compra en un sitio seguro para asegurarse de tener esta información. El número de serie se encuentra en la placa de calificación de la aspiradora, que se encuentra en el cuerpo principal de la máquina, detrás del cubo transparente.
- Todo el trabajo lo llevará a cabo Dyson, Inc o sus agentes autorizados.
- El cambio de cualquier pieza defectuosa no extenderá el período de la misma.
- El servicio según esta garantía no extenderá el período de esta garantía.
- Si su aspiradora no funciona correctamente, por favor llame a la Línea Directa de Asistencia al Cliente de Dyson por el 1-866-693-9766. La mayoría de los problemas pueden solucionarse por teléfono a través de nuestro personal capacitado en atención al cliente. Si esto no es posible, Dyson, Inc hará que se repare y se le devuelva su aspiradora en perfectas condiciones sin costo adicional para usted.

LIMITACIONES Y EXCLUSIONES DE LA GARANTÍA

- Cualquier garantía implícita relacionada con su aspiradora, incluyendo pero sin limitarse a una garantía de comerciabilidad o garantía de idoneidad para un propósito en particular, se limita a la duración de esta garantía. Esta limitación no está permitida por algunos estados, por lo que esta limitación puede no aplicarse a usted.
- El recurso por el incumplimiento de esta garantía se limita al servicio de garantía descrito anteriormente. Dyson, Inc no será responsable de ningún daño consecuente o incidental en el que se pueda incurrir en conexión con la compra y uso de su aspiradora. Esta limitación no está permitida por algunos estados, por lo que esta limitación puede no aplicarse a usted.
- Esta garantía le otorga derechos legales específicos.

INFORMACIÓN IMPORTANTE PARA LA PROTECCIÓN DE DATOS

Dyson o terceros a nombre de Dyson, Inc mantendrán sus detalles para poder asistirle más rápidamente en nuestro departamento de Atención al Cliente. De vez en cuando, Dyson, Inc puede enviarle ofertas especiales y noticias sobre nuestras últimas innovaciones. Marque la casilla correspondiente en el Formulario de garantía dentro del Manual de Funcionamiento en caso de que no desee recibir información comercial o promocional de Dyson, Inc. Para obtener más información sobre nuestras prácticas de obtención de datos, consulte las normas de privacidad de Dyson, Inc en www.dyson.com/privacy

INFORMACIÓN DE CONFORMIDAD

Este dispositivo cumple con la parte 15 de las Normas FCC. Su operación está sujeta a las siguientes dos condiciones : (1) Este dispositivo no podría causar interferencia perjudicial, y (2) este dispositivo debe aceptar cualquier interferencia recibida, incluyendo la que podría causar una operación indeseada. Cambios o modificaciones no aprobados por el grupo responsable de las reglas de conformidad puede invalidar la autoridad del usuario en la operación del equipo.

INFORMACIÓN ACERCA DEL PRODUCTO

Peso del producto 16.07lbs (7,29kg), Voltaje: 120V, 60Hz, Potencia máxima: 1100W.

Este producto se encuentra bajo la protección de los siguientes derechos de propiedad intelectual:

PATENTE/NÚMEROS DE SOLICITUD DE PATENTE:

AU 637272; EP 0636338; JP 1948863; US 5,078,761; AU 697029; EP 0800360; JP 3449723; US 5,893,936; AU 736843; EP 1087688; JP 3550360; AU 2001240894; EP 1268076; JP 2003-528704; US 6,835,222; AU 2002226556; CA 2,439,250; EP 1370172; JP 2004-528876; US 6,991,666; AU 744408; EP 1361812; JP 2004-537336; US 7,278,181; AU 2003252873; CA 2,449,304; EP 1380247; JP 2004-100960; US 7,168,128; AU 2002233553; CA 2,439,247; EP 1365676; JP 2004-524097; US 2004-0078925; AU 2002225232; CA 2,438,079; EP 1361815; JP 3940082; US 6,974,488; JP 2007-152136; GB 2407022; JP 2004-023962; AU 2003-255837; EP 1551270; GB 2392827; JP 2004-023963; US 2004-023963; EP 1576719; GB 2396491; JP 2006-511186; US 2006-0132081; EP 1542574; EP 1664560; GB 2406146; JP 2007-506053; US 2007-230839; EP 1680858; JP 2007-506398; US 2007-0194637; AU 2005243851; CA 2,564,599; EP 1748848; GB 2413974; JP 2007-508967; US 2007-0175189; AU 2005244379; CA 2,566,071; EP 1748718; GB 2413941; JP 2007-510099; US 2007-0226937; AU 2005243454; CA 2,566,406; EP 1748719; GB 2413942; JP 2007-512311; US 11/596,174; US 11/794,227; GB 2426726; WO 2006/125945; GB 2426473; WO 2006/125946.

NÚMEROS DE DISEÑOS/SOLICITUDES REGISTRADOS:

AU 301268; ED 217666-0001; GB 3016553; JP 1228173; US D518933; AU 301393; ED 241930-0001; GB 3017293; JP 1236657; US D526102; AU 301396; ED 241930-0002; GB 3017294; JP 1236658; US D537219; AU 301394; ED 241930-0003; GB 3017295; JP 1236659; US D519,696; AU 314889; GB 4000251; JP 1311067; ED 701701-0001.

En otros países existen patentes equivalentes, diseños y aplicaciones registrados.

IMPORTANT!

WASH FILTERS LAVADO DE LOS FILTROS



Wash filters with cold water at least every 3 months.
Lave los filtros con agua fría al menos cada 3 meses.



If you have a question about your Dyson vacuum, call the Dyson Helpline with your serial number and details of where and when you bought the cleaner, or contact us via the Dyson website. The serial number can be found on the main body of the vacuum behind the clear bin.

Dyson Customer Care
1-866-693-9766
Toll free, 7 days a week

Servicio de atención al cliente Dyson
1-866-693-9766
Llamada gratuita, 7 días a la semana

www.dyson.com



WARRANTY FORM CONTINUED CONTINUACIÓN DEL FORMULARIO DE GARANTÍA

Please take a few moments to answer our questions.
They will help us develop new products for the future.

Tómese unos instantes para responder a nuestras preguntas.
Esto nos ayudará a desarrollar nuevos productos en el futuro.

1. Why did you decide to buy a Dyson vacuum?

- Cleaning performance
- Advanced Technology/ Features
- Style / Design
- Warranty
- Recommendation
- Promotion
- No loss of suction
- Asthma and allergy certification
- HEPA filtration

2. Do you own pets?

- Cat / Dog
- Other
- None

3. Would you like to hear about future asthma and allergy related initiatives or product development at Dyson?

- Yes
- No

1. ¿Por qué decidió comprar una aspiradora Dyson?

- Capacidad de limpieza
- Tecnología avanzada / Funciones
- Estilo / Diseño
- Garantía
- Recomendación
- Promoción
- No pierde succión
- Certificación para asma y alergia
- Filtro HEPA

2. ¿Tiene mascotas?

- Gato / Perro
- Otra
- Ninguna

3. ¿Le gustaría saber sobre el desarrollo de productos o las futuras iniciativas en cuanto a asma y alergia en Dyson?

- Sí
- No

THANK YOU FOR YOUR TIME • GRACIAS POR DEDICARNOS SU TIEMPO





WARRANTY FORM • FORMULARIO DE GARANTÍA

Date of purchase | Fecha de compra / /

Serial number | Número de serie

Title | Tratamiento

Last name | Apellido

First name | Apellido

Address | Dirección

Zip Code | Código postal

e-mail | e-mail

Telephone | Teléfono

From time to time, we'd like to tell you about new Dyson technology and services or get your opinion about your purchase. If you'd prefer us NOT to keep in touch, please tick this box.

De vez en cuando, querríamos decirle acerca de la nueva tecnología de Dyson y servicios o conseguir su opinión acerca de su compra. Marque esta casilla si prefiere que NO mantengamos contacto con usted.

3 EASY WAYS TO REGISTER | 3 MANERAS FACILES DE REGISTRARSE

ONLINE

Convenient and instant.
www.dyson.com/register



EN LÍNEA

Conveniente y al instante.
www.dyson.com/register

PHONE

Just call our helpline on 1-866-693-9766. It's open from 7am – 8pm Monday to Friday, 8am – 6pm Saturday and 9am – 6pm Sunday CST.



POR TELÉFONO

El horario es de lunes a viernes de 7 am a 8 pm, sábados de 8 am a 6 pm y domingos de 9 am a 6 pm hora oficial del centro. 1-866-693-9766.

MAIL

Complete and return the form in the envelope supplied.



POR CORREO

Complete este formulario y envíelo.

