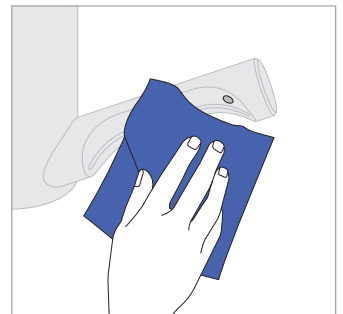


# Cleaning the Dyson Airblade 9kJ hand dryer

The Dyson Airblade 9kJ hand dryer should be cleaned daily and checked for blockages. Follow steps below to ensure the machine performs to its best and remains hygienic.

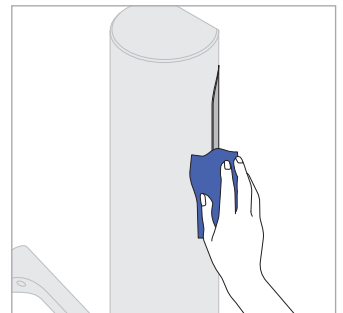
## Clean the machine

Wipe the sensors using a soft cloth and non-abrasive cleaner.



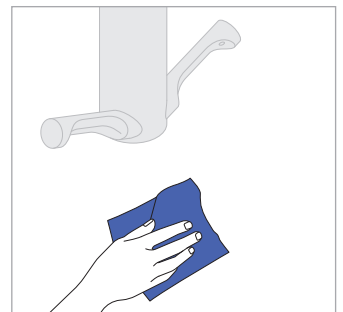
## Clean and check for blockages

Check for blockages, dust or debris and wipe over the sensors, air inlets and air outlets.



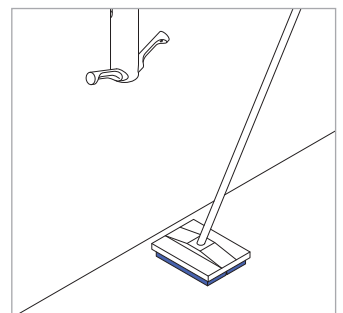
## Clean around the machine

Clean the wall and areas surrounding the machine.



## Clean the floor

Clean the floor around the machine.



### Important information

Do not pressure wash the machine. All cleaning chemicals should be used exactly as indicated by the manufacturer's instructions (including appropriate dilution).

### Servicing and support

For more information:  
888-397-6622  
[www.dyson.com](http://www.dyson.com)