

TECHNICAL SPECIFICATION

Electrical

Input voltage: Low voltage = 100–120V, High voltage = 200–240V
Frequency: 100–115V at 50/60Hz, >115–120V at 60Hz; 200–240V at 50/60Hz
Motor specification: 1000W, digital V4 brushless motor
Motor Speed: 81,000rpm
Motor Switching rate: 5,400 per second
Amp: Dedicated hand dryer circuit required. Reference NEC/local electrical code for loading. 9.09A at 110V; 4.54A at 220V
Heater type: None
Standby power consumption: Less than 0.5W

Construction

Tap construction: Stainless steel (brushed)
Lead free
Under counter motor bucket: Molded ABS (main unit) also uses polycarbonate and polypropylene
Exterior screw type: Torx T15
Water ingress protection rating to IP35
Net weight: WD04 = 9.37lb / 4.25kg; WD05 = 9.96lb / 4.52kg; WD06 = 18.47lb / 8.38kg

Filter

Sealed HEPA filter (glass fiber and fleece prelayer)
Captures 99.97% of particles as small as 0.3 microns

Operation

Touch-free infra-red activation
Hand dry time measurement: 14 seconds*
Sound power level: Low voltage = 80db(A) for WD04-06, High voltage = 80db(A) for WD06, 81 db(A) for WD04-05
Sound pressure level @ 2m: 66dB(A)†
Operation lock-out period: 30 seconds
Airspeed at apertures: Low voltage = 331 mph (533km/h), High voltage = 341 mph (549km/h)
Maximum altitude: 11,482 feet / 3,500 meters
Operation airflow: Up to 5.5 gallons/sec (21 liters/sec)
Operating temperature range: 32°–104°F / 0°–40°C

Water operation

Water flow rate: 0.5 gallons/min (1.9 liters/min) low flow fitted aerator, 1.0 gallons/min (3.8 liters/min) with aerator supplied with product, 0.35 gallons/min multi spray laminar aerator available as a service part
Water temperature control: Thermostatic mixer recommended (not supplied)
Water pressure required: 14.5–116psi
Tap power supply: Mains supply
Equipped with automatic flush – every 24 hours for 60 seconds, after last use.

Logistics

Unit barcode: Low voltage/WD04: 885609014104, WD05: 885609014111, WD06: 885609014128; High voltage/WD04: 885609014074, WD05: 885609014081, WD06: 885609014098
Packaged weight: WD04 = 13.36lb / 6.06kg; WD05 = 14.64lb / 6.64kg; WD06 = 27.36lb / 12.41kg
Packaged dimensions: WD04 = H 11 7/8" (303mm) × W 11 1/8" (284mm) × D 11 1/2" (291mm); WD05 = H 17" (434mm) × W 10 7/8" (275mm) × D 11 5/16" (288mm); WD06 = H 24" (610mm) × W 14 3/4" (375mm) × D 11 7/8" (302mm)
Pallet quantity: 36 x WD04, 24 x WD05, 15 x WD06

Sink specification

The Dyson Airblade Wash+Dry hand dryer is compatible with most sink types. Ensure plugs are not installed in the sinks and avoid inserts with embedded plugs (e.g. ones that swivel or elevate). If you would like assistance choosing a compatible sink or soap dispenser, email design@dyson.com or call 888-397-6622.

Using a specially designed test method, Dyson engineers evaluated the user experience of a wide range of sink types when used with the Dyson Airblade Wash+Dry hand dryer. For further details on our recommended sinks, please see the pre-installation guide on our website: dyson.com/docs

We recommend avoiding sinks with the following geometric characteristics: Flat bases immediately surrounding the drain hole, nominally within a 2 5/16" (60mm) radius.

Sloping back and front wall transitions in relation to the base of the sink. See our pre-installation guide for further details: dyson.com/docs

Sink dimensions:

All sink measurements are internal unless stated otherwise.
Minimum width of sink: 15" (380mm), Front to back – Minimum: 13" (330mm)
Minimum depth of sink: 5" (127mm)
Maximum depth of sink for WD05 only: 8" (200mm)
(External measurement of vessel sink)

Sink materials: Sinks with highly polished surfaces should be avoided, e.g. reflective chrome. Porcelain or brushed metal is ideal. When multiple taps are installed side-by-side, tap centers should be a minimum of 22 7/8" (580mm) apart.

Standard warranty

5 year parts, 5 year limited labor

Product range

WD04 Short

Part number/SKU
Low Voltage: 247659-01
High Voltage: 247908-01



WD05 Tall

Part number/SKU
Low Voltage: 247663-01
High Voltage: 247910-01



WD06 Wall

Part number/SKU
Low Voltage: 247669-01
High Voltage: 247915-01



Accreditations

HACCP International
WD04 Short and WD06 Wall are ADA compliant
Contributes to LEED certification
Contributes towards satisfying Feature W08 under the WELL Building Standard™

*Dry time determined using Dyson test method 769 based on NSF P335 to a measurement of 0.1g residual moisture.

†Sound pressure measured at 6.56 feet (2 meters) distance, in a semi-anechoic chamber.

For more information, please contact Dyson:

1-888-397-6622 | design@dyson.com | www.dyson.com

dyson airblade wash+dry

TECHNICAL SPECIFICATION

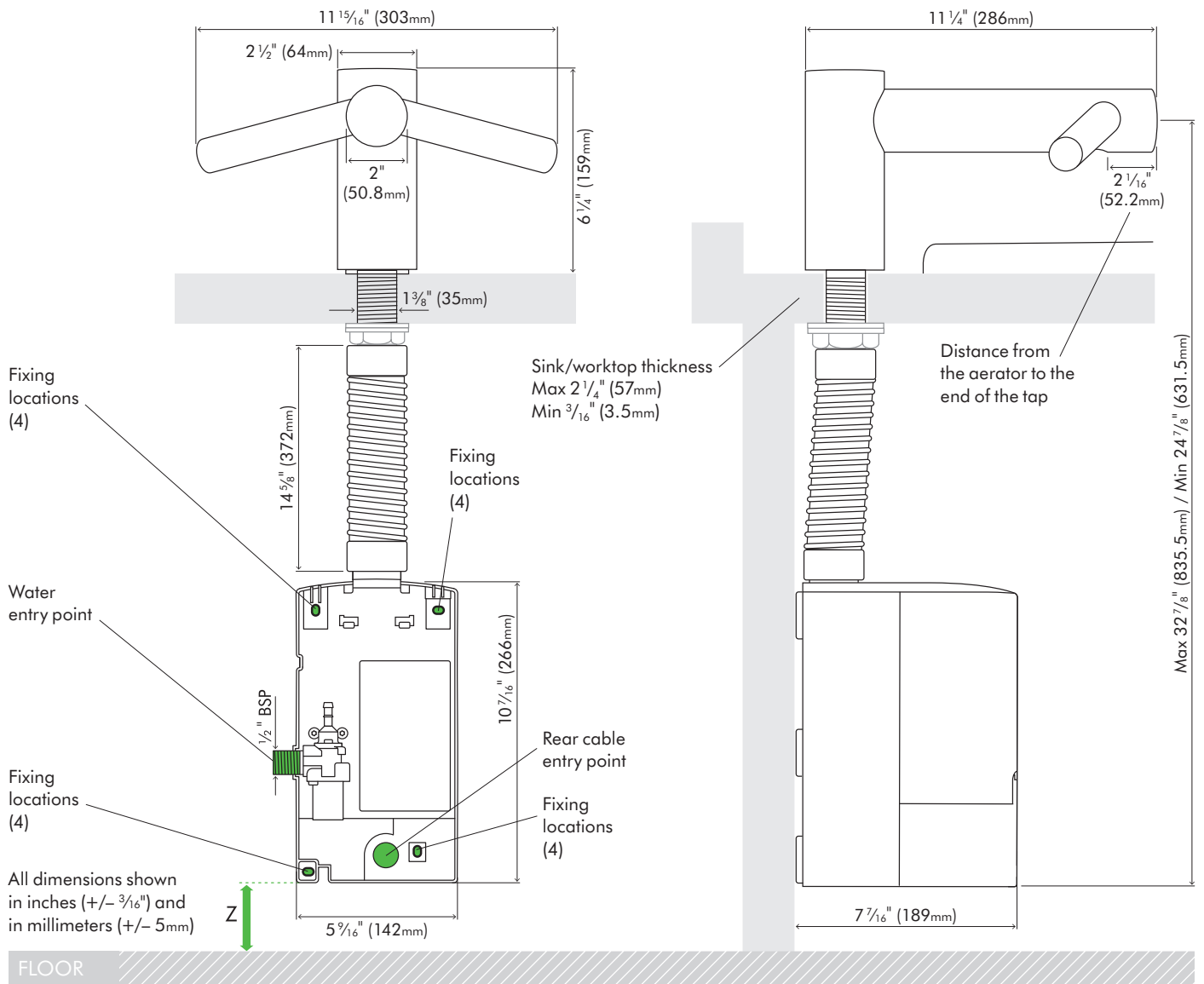
WD WD WD
04 05 06



Short

FRONT ELEVATION

SIDE ELEVATION



Tap dimensions

WD04: Height 6 ¹/₄" (159mm), Width 11 ¹⁵/₁₆" (303mm), Depth 11 ¹/₄" (286mm)

Motor bucket dimensions

WD04: Height 10 ⁷/₁₆" (266mm), Width 5 ⁹/₁₆" (142mm), Depth 7 ⁷/₁₆" (189mm)

Minimum clearance

Z 4" (100mm) clearance from floor. ADA requires 9" (228mm) toe clearance.

dyson airblade wash+dry

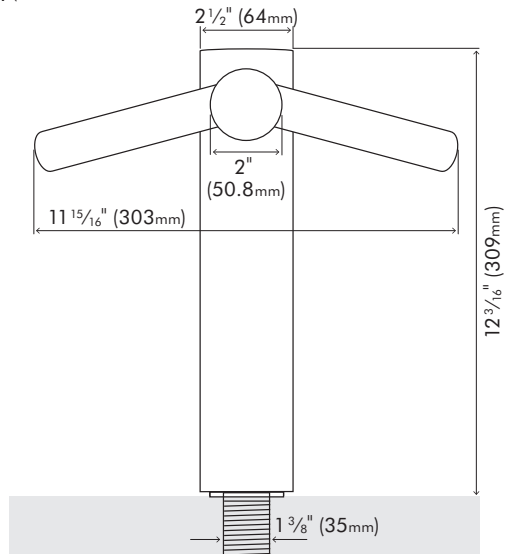


Tall

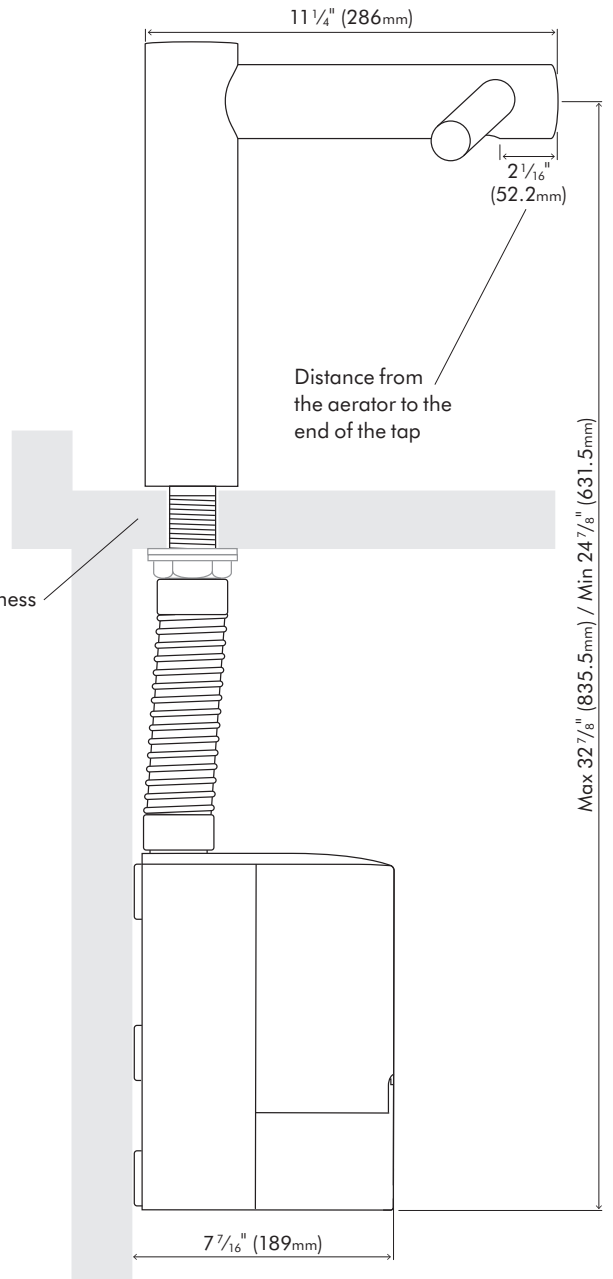
TECHNICAL SPECIFICATION

WD WD WD
04 05 06

FRONT ELEVATION



SIDE ELEVATION



Fixing locations (4)

Water entry point

Fixing locations (4)

All dimensions shown in inches (+/- 3/16") and in millimeters (+/- 5mm)

Z

Sink/worktop thickness
Max 2 1/4" (57mm)
Min 3/16" (3.5mm)

Fixing locations (4)

Rear cable entry point

Fixing locations (4)

FLOOR

Tap dimensions

WD05: Height 12 3/16" (309mm), Width 11 15/16" (303mm), Depth 1 1/4" (286mm)

Motor bucket dimensions

WD05: Height 10 7/16" (266mm), Width 5 9/16" (142mm), Depth 7 7/16" (189mm)

Minimum clearance

Z 4" (100mm) clearance from floor. ADA requires 9" (228mm) toe clearance.

dyson airblade wash+dry

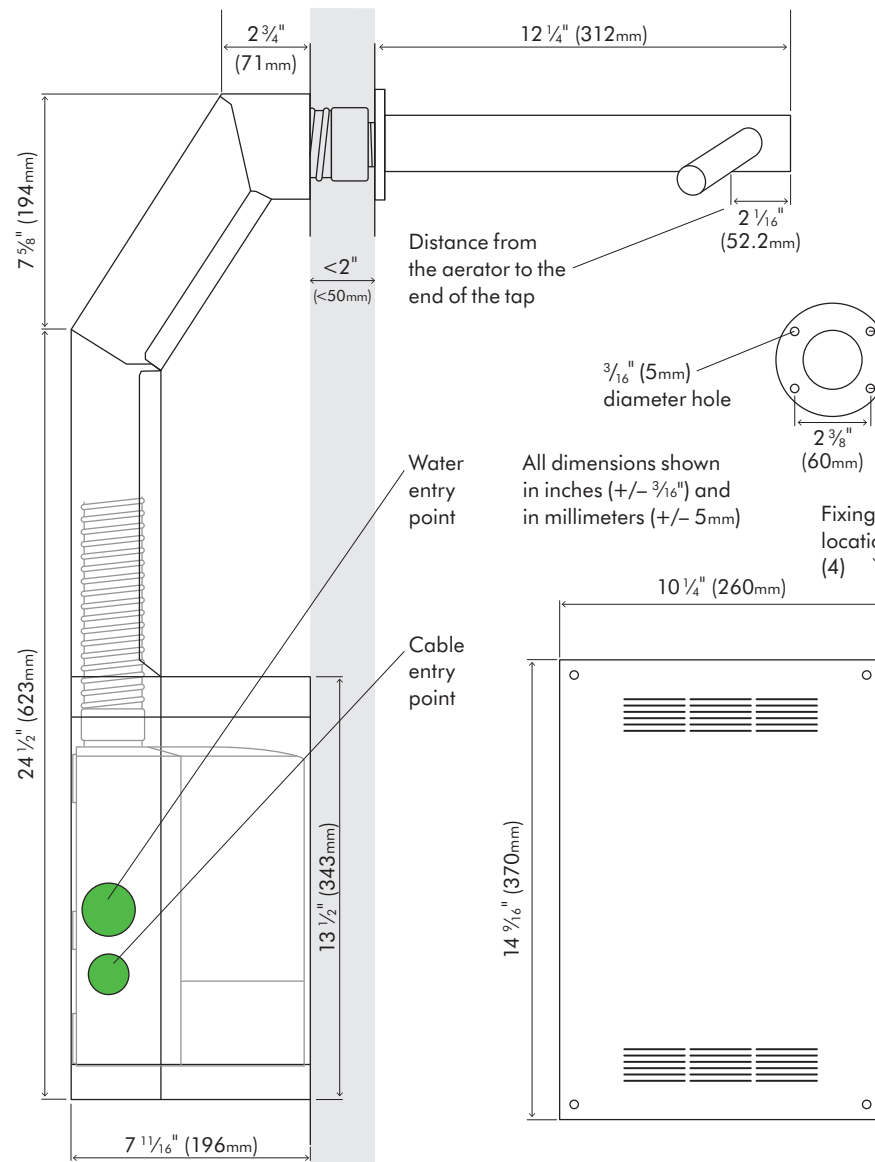
TECHNICAL SPECIFICATION

WD WD WD
04 05 06

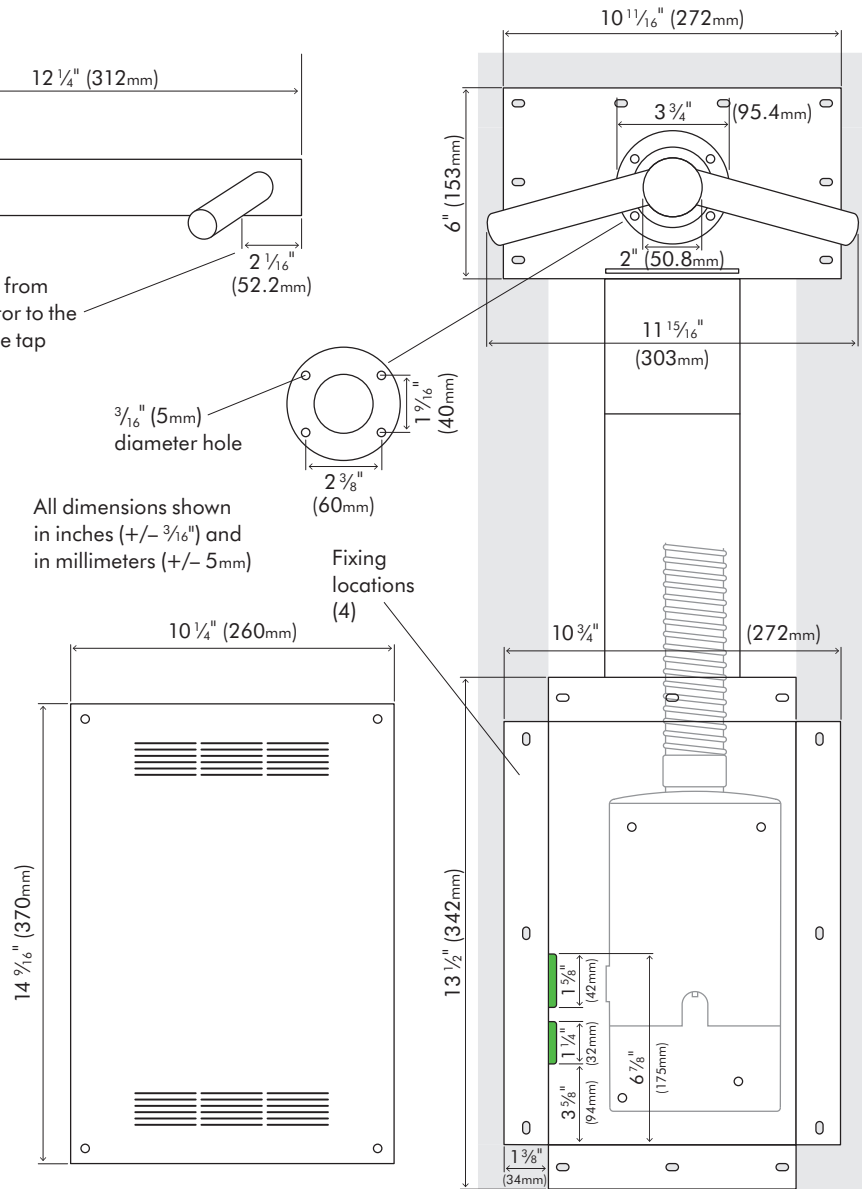


Wall

SIDE ELEVATION



FRONT ELEVATION



FLOOR

Tap dimensions

WD06: Length 12 1/4" (312mm), Width 11 15/16" (303mm)

Motor bucket dimensions

WD06: Height 10 7/16" (266mm), Width 5 9/16" (142mm), Depth 7 7/16" (189mm)

Minimum clearance

Suggested installation height 37 9/16" (955mm) from finished floor to center of tap, depending on height of sink. Check installation guide for further details.

dyson airblade wash+dry

TECHNICAL SPECIFICATION

WD WD WD
04 05 06



Wall

WD06 Wall installation

The Dyson Airblade Wash+Dry hand dryer is designed so that the motor unit is located behind the stud wall within a metal enclosure which is supplied with the Dyson Airblade Wash+Dry hand dryer (Fig.1). The vertical wall studs must be constructed so as to allow the metal enclosure to be fitted between them (Fig.2). One of the horizontal wall studs must be fitted a) so it holds the main weight of the metal duct and the unit, and b) so it is in the correct position for the tap stem.

For complete instructions, please refer to the printed installation guide supplied with the machine.
It's also available online at: www.dyson.com/docs

Fig.1



Fig.2

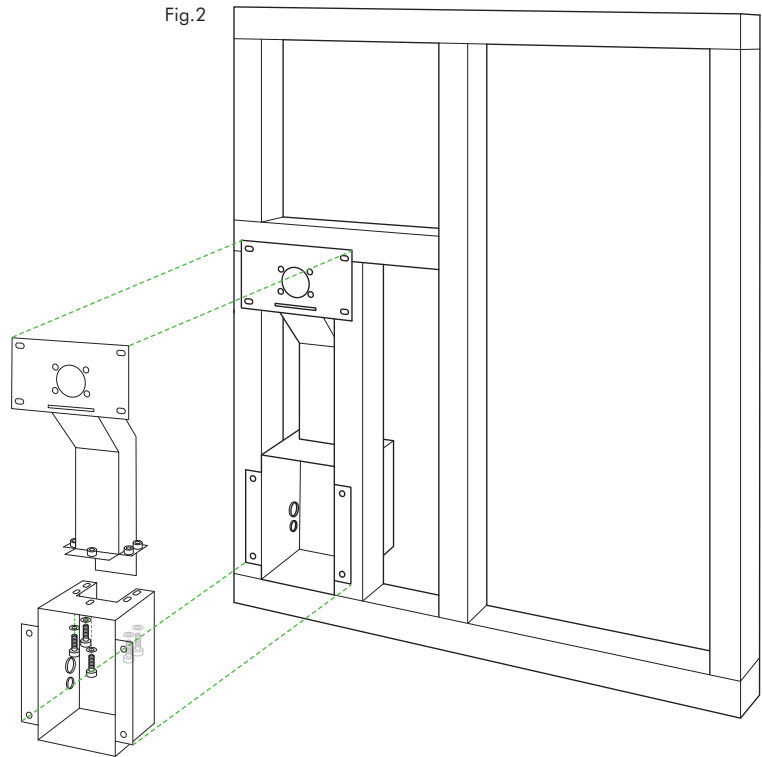


Fig.3

Install plasterboard.

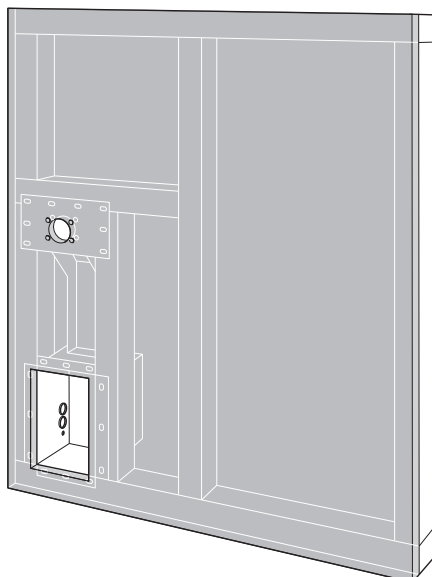
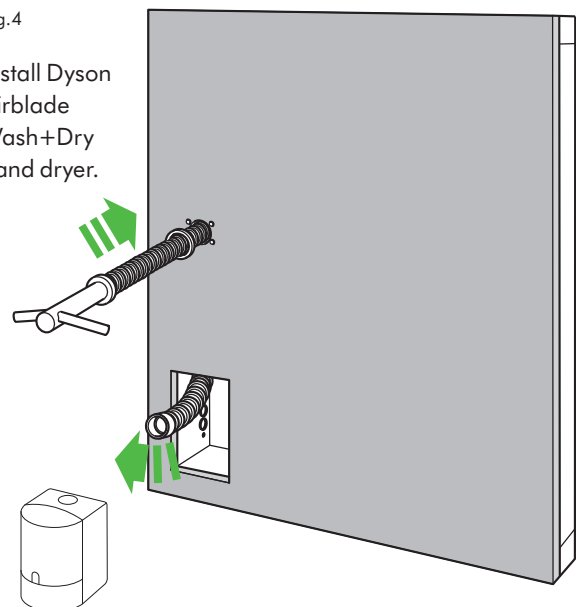


Fig.4

Install Dyson Airblade Wash+Dry hand dryer.



dyson airblade wash+dry

Further documents are available to
download online at [dyson.com/docs](https://www.dyson.com/docs):

Pre-installation guide

Installation guide

Dyson Airblade Wash+Dry
hand dryer brochure

Cleaning guide

CAD drawings



HACCP International non-food certification mark is the registered trademark of HACCP International. HACCP International have certified Dyson products based on their recommended installation and operating conditions. Licensed by Dyson. International WELL Building Institute™ and the related logo are trademarks used with permission from the International WELL Building Institute™.

For further information, please contact Dyson:

1-888-397-6622 | design@dyson.com | www.dyson.com

7788190 04.18.24 ©2021 DYSON