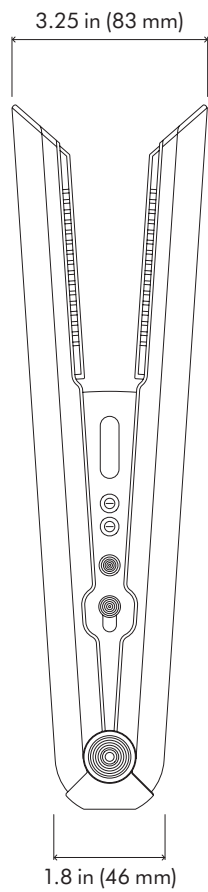


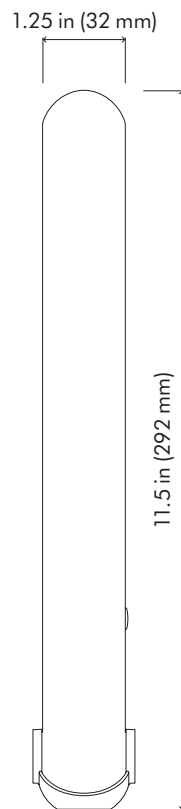
TECHNICAL SPECIFICATION



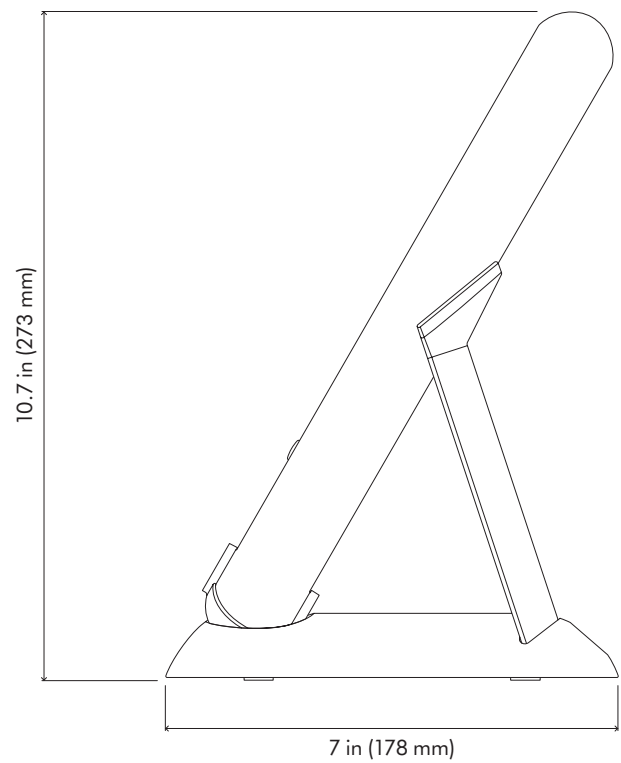
FRONT VIEW



SIDE VIEW



STAND



Machine dimensions

Height: 11.5 in (292 mm), Width: 3.25 in (83 mm), Depth: 1.25 in (32 mm)

Machine and stand dimensions

Height: 10.7 in (273 mm), Width: 3 in (76 mm), Depth: 7 in (178 mm)

Stand only dimensions

Height: 6.5 in (165 mm), Width: 3 in (76 mm), Depth: 7 in (178 mm)

For more information:
888-397-6622
www.dyson.com
design@dyson.com

Electrical

Input voltage/Frequency: 10.8V-16.8V (Universal voltage)

Wattage: 200W

Battery: Powered by a 4-cell lithium-ion battery

Auto-shut off: Automatically shuts off after 10 minutes of inactivity

Auto shut-off and safety lock: Switches off after ten minutes of inactivity. The safety lock allows for immediate storage after use.

Cable length: 10 ft 8 in (3.3 m)

Construction

Durable finish: A highly durable finish withstands the daily rigors of a busy commercial environment

Flexing plates: Flexing manganese copper alloy plates shape to gather hair

Operation

Heat settings: 3

Temperatures: 330°F (166°C), 365°F (185°C), 410°F (210°C)

Intelligent heat control: Regulates plates temperature 100 times a second

OLED screen: Battery, temperature and charging status displayed

Run time: Up to 30 minutes cord-free styling¹

Logistics

Single unit order code:

Copper/Nickel - 389404-01

Unit barcode:

885609025353

Net weight (including cable and plug): 1.24lb (561g)

Packaged weight: 4.81lb (2.18kg)

Packaged dimensions:

(L) 10.2 in (259.5 mm) x (W) 3.6 in (92 mm) x (D) 5.4 in (136 mm)

Charging dock/Stand

Weight: 0.79lb (357g)

Fitting: Magnetic 360° charging cable connects to the base of stand to be used as a charging dock

Standard warranty

2-year warranty



In the box



Charging dock



Heat-resistant travel pouch



Magnetic 360° charging cable

1. Exact run time may vary based on hair type and styling technique.

For more information:

888-397-6622

www.dyson.com

design@dyson.com