

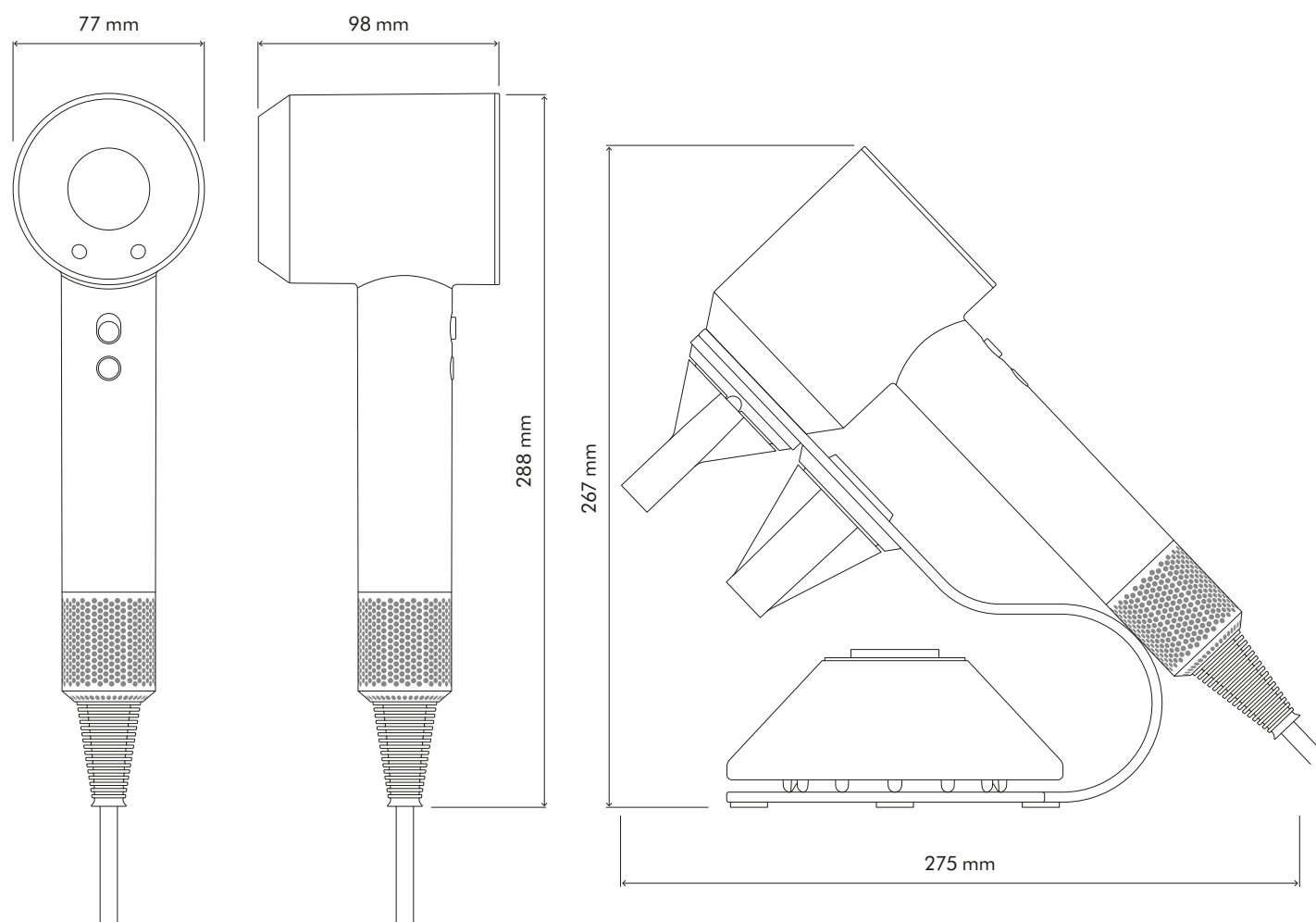
TECHNICAL SPECIFICATION



FRONT VIEW

SIDE VIEW

STAND



Machine dimensions

Height: 288 mm, Width: 77 mm, Depth: 98 mm

Machine and stand dimensions

Height: 267 mm, Width: 136 mm, Depth: 275 mm

Stand only dimensions

Height: 193 mm, Width: 136 mm, Depth: 176 mm

dyson supersonic

Electrical

Input voltage/Frequency: 220-240V / 50Hz

Motor specification: Dyson digital motor V9

Speed: 110,000 rpm

Wattage: 1600W

Ioniser: Negative ions to help reduce static in the hair

Cable length: 2.7m

Construction

Glass filled nylon

Operation

Airflow settings: 3

Heat settings: 4

Temperatures: High heat: 100°C, Medium heat: 80°C,

Low heat: 60°C, Cold shot: 28°C

Primary flow: 13 litres/sec

Amplification factor: x3

Dry rate: 5.7g/min

Sound Power: 77 dB (A)

Logistics

Single unit order code:

Iron/Fuchsia – 236088-01, White/Silver – 236089-01

Unit barcode:

Iron/Fuchsia – 5025155029152, White/Silver – 5025155029169

Net weight (including cable and plug): 659g

Packaged weight: 3.68kg

Packaged dimensions:

(L) 601 mm × (W) 267 mm × (D) 147 mm

Stand

Construction: Painted steel

Weight: 967g

Fitting: Optional fixing method included –

M6 x 60 mm screw, wing nut, washer

Standard guarantee

2 year guarantee

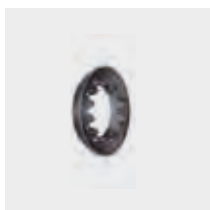
Accessories



Smoothing nozzle



Styling concentrator



Gentle dryer



Diffuser

