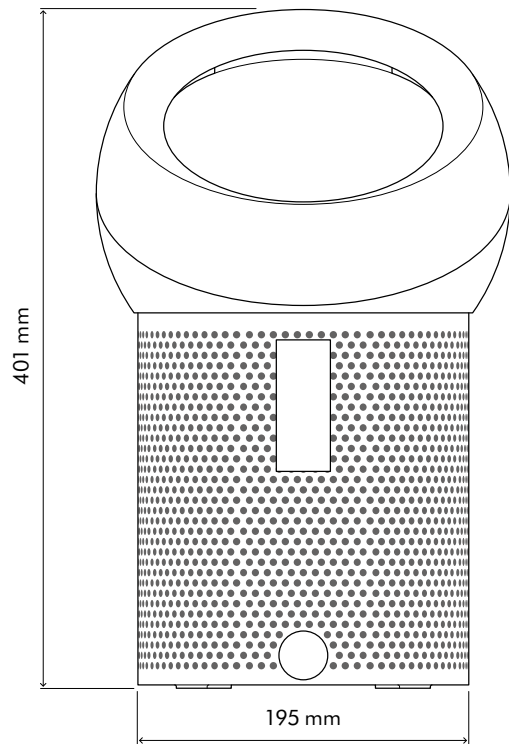


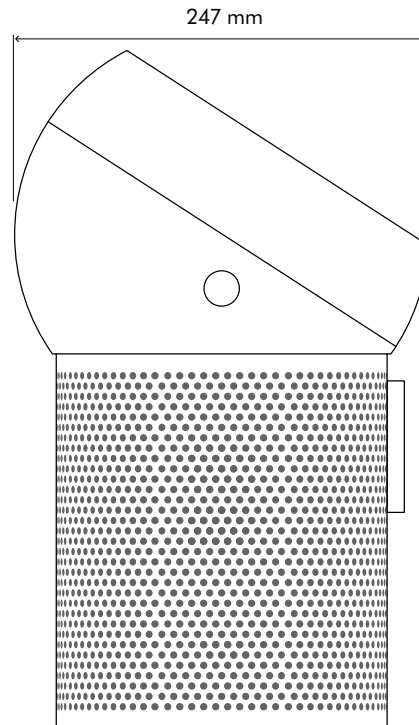
## TECHNICAL SPECIFICATION



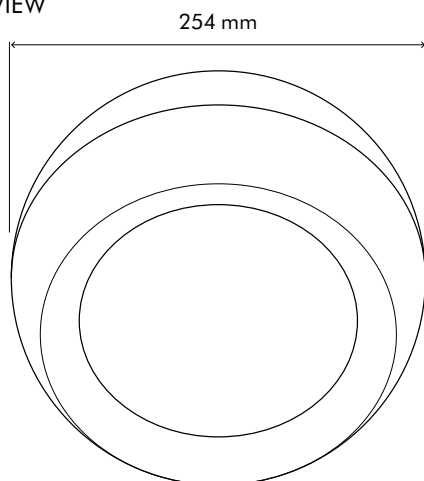
FRONT VIEW



SIDE VIEW



PLAN VIEW



---

### Machine dimensions

Height: 401 mm, Amp width: 254 mm, Amp depth: 247 mm,  
Base diameter: 195 mm

---

## Electrical

Input voltage/frequency: 20V / 50Hz

Standby power consumption: 0.5W

Max input power: 40W

## Construction

Polycarbonate

ABS

## Filter

The fully-sealed filter combines an activated carbon layer and glass HEPA layer. It captures gases and 99.95% of ultrafine particles from the air around you.<sup>1</sup>

360° borosilicate glass microfiber HEPA filter

Filter life: One year based on 12hr use a day;

or 6 months based on 24hr use a day

Height: 189 mm

Diameter: 189 mm

Unboxed weight: Filter only 0.35kg

## Operation

For indoor use only

Operation environment:

Engineered to operate between 0-40°C, 0-100% humidity

12 speed settings

70° oscillation

Standby mode

LED display

Sound level at min flow rate (speed 4 Quiet Mode): Ave 43.5 dBA

Sound level at max flow rate Upper Vector (speed 10):

Ave 59 dBA Max 61 dBA

Sound level at max flow rate Lower Vector (speed 10):

Ave 59 dBA Max 61 dBA

Remote control battery: CR2032L coin cell

Remote control functions:

On/Off, Info, Oscillation, Speed control, Sleep timer

## Logistics

Packaged weight: 4.87 kg

Unboxed weight: 2.80 kg

Packaged dimensions: (H) 450 mm × (W) 273 mm × (D) 273 mm

## Standard guarantee

2-year guarantee



For more information:

[www.dyson.in](http://www.dyson.in)

<sup>1</sup>Tested for filtration efficiency at 0.1 microns (EN1822). Gaseous capture rates vary.