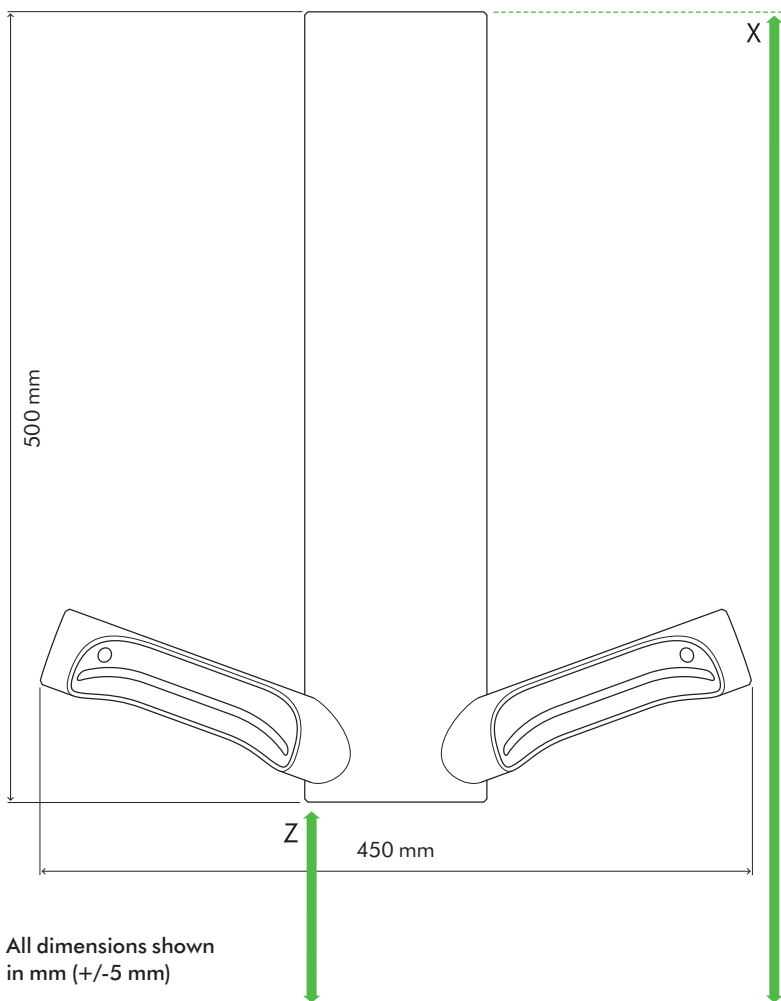


Technical specification

HU
03

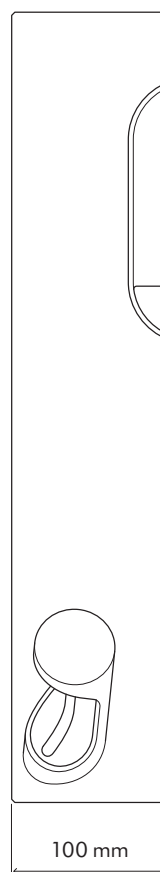


Front elevation

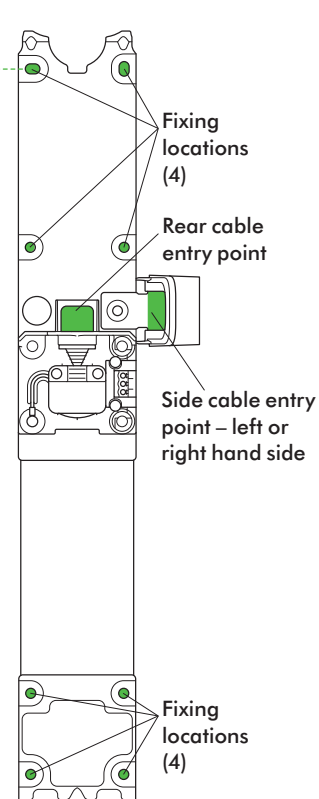


All dimensions shown in mm (+/-5 mm)

Side elevation



Back plate



See table for recommended mounting heights



Recommended installation heights from floor			
Male	X 1489 mm	Y 1451 mm	Z 989 mm
Female	X 1454 mm	Y 1416 mm	Z 954 mm
Wheelchair user	X 1245 mm	Y 1207 mm	Z 745 mm
Child 5-8	X 1117 mm	Y 1079 mm	Z 617 mm
Child 8-11	X 1217 mm	Y 1179 mm	Z 717 mm
Child 11-14	X 1294 mm	Y 1256 mm	Z 794 mm
Machine dimensions			
Height 500 mm Width 450 mm Depth 100 mm			

Minimum clearance	
210 mm above machine	
Rear cable entry point from floor	
Male	1293 mm
Female	1258 mm
Wheelchair user	1049 mm
Child 5-8	921 mm
Child 8-11	1021 mm
Child 11-14	1098 mm

For further information please contact Dyson
04 350 7877
www.dyson.ae

dyson airblade 9kJ

HU
03

Electrical

Input voltage/Frequency: 160-253 V 50-60 Hz

Standby power consumption: Less than 0.5 W

Motor specification: 900 W (MAX) mode / 650 W (ECO) mode
digital brushless motor

Heater type: None

Construction

Fascia: Stainless steel – Brushed (304L)

Backplate mounting bracket: Stainless steel

Exterior screw type: Anti-tamper 5 mm torx plus

Water ingress protection to IP24

Filter

HEPA filter (Glass fibre and fleece prelayer)

Captures 99.95% of particles¹, including bacteria and viruses

Operation

Touch free time of flight sensor activation

Hand dry time measurement: 10 seconds (MAX) mode / 12 seconds (ECO) mode (measurement based on NSF Protocol P.335)

Sound power level: 79 dB(A) (MAX) mode / 77 dB(A) (ECO) mode

Operation lock-out period: 30 seconds

Airspeed at aperture: 624 km/h / 388 mph

Maximum altitude: 3,000 metres / 9,842 ft

Logistics

Net weight: 4.5 kg / 9.9 lbs

Packaged weight: 7.6 kg / 16.8 lbs

Packaged dimensions:

(H) 129 x (W) 520 x (D) 616 mm / (H) 5.1" x (W) 20.5" x (D) 24.3"

Standard guarantee

5 year parts (self-service)



Dyson backplate

Where only unsupported plasterboard is available for installation, a Dyson backplate must be used. The Dyson backplate helps protect the wall from water damage and can be used to cover holes/marks left from previously installed products – including the Dyson Airblade dB hand dryer. Contact the Dyson Helpline or www.dyson.ae for further information.

WELL Building Standard™

Dyson Airblade™ hand dryers contribute towards satisfying Feature W08 under the WELL Building Standard™



For further information please contact Dyson
04 350 7877
www.dyson.ae

The Carbon label is a trademark of the Carbon Trust.

Quiet Mark is a registered trademark of the Noise Abatement Society. International WELL Building Institute™ and the related logo are trademarks used with permission from the International WELL Building Institute.™

¹HEPA filter tested to EN1822-5, by an independent testing laboratory, under prescribed test conditions.