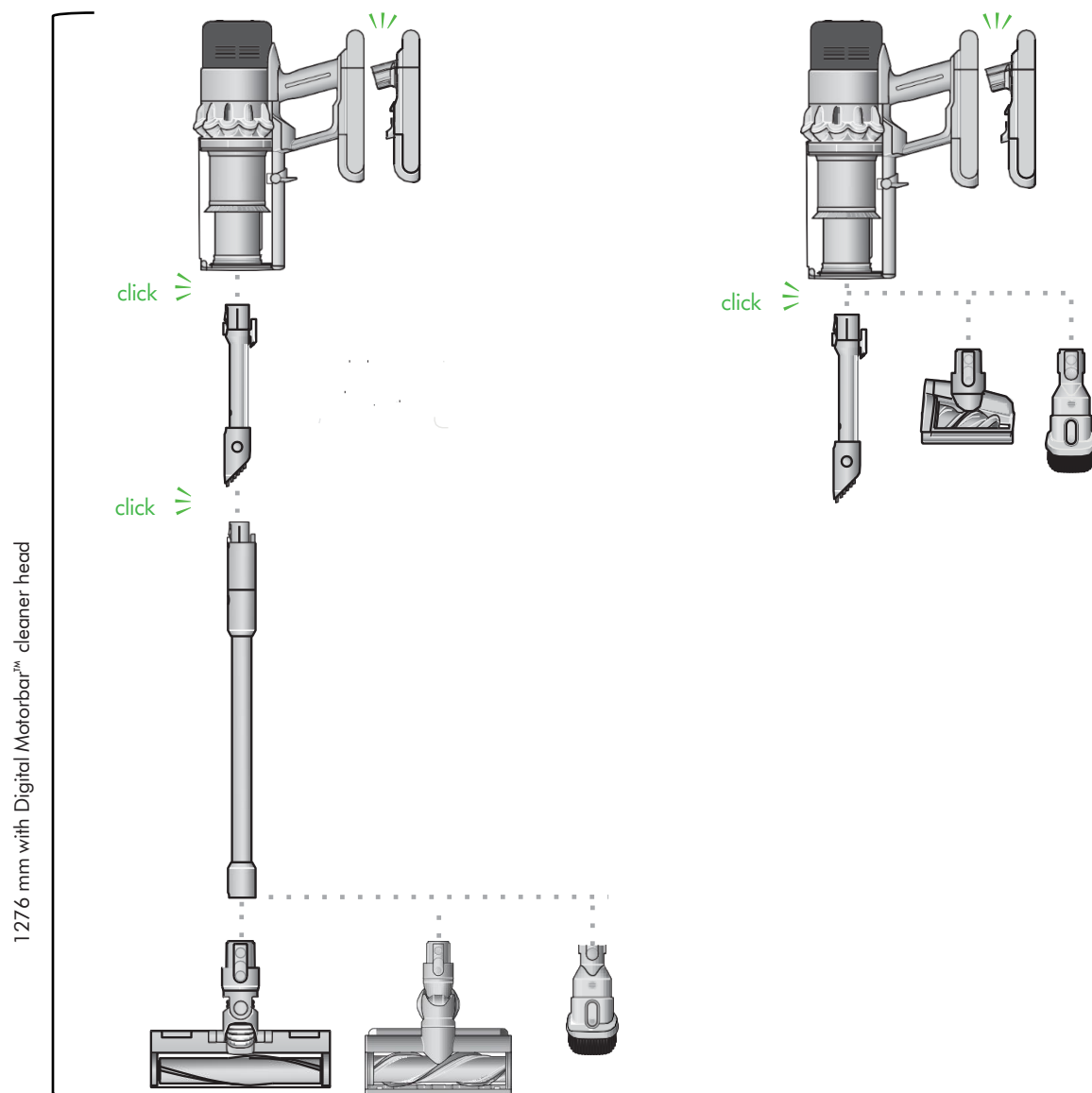


Technical specification



Cordless vacuum



Machine dimensions (Cordless vacuum)

Digital Motorbar™ Cleaner head attached: Height: 1276 mm, Length: 276mm, Width: 250 mm

Fluffy Optic™ cleaner head attached: Height: 1213 mm, Length: 276mm, Width: 250 mm

For further information please contact Dyson:

AU: 1800 426 337
AUCommercial@dyson.com
www.dyson.com.au/forbusiness

NZ: 0800 397 667
NZCommercial@dyson.com
www.dyson.co.nz/forbusiness

dyson gen5detect absolute

General

Sound power level (dBA) Boost mode: 84 dBA

(Digital Motorbar™ cleaner head on carpet)

Max Motor speed (RPM): 135,000

Suction: 262AW

Operating power wattage: 752W

Specification

Bin Volume: 0.77 L

Weight handheld: (body) 2.3 kg

Weight: (body + wand + Digital Motorbar™ cleaner head) 3.5 kg

Product dimensions with Digital Motorbar™ cleaner head:

(L x W x H) 276 x 250 x 1276 mm

Wand Length: 655 mm

Battery

Interchangeable battery

Charge: 4.5 hours

Run time: Up to 70 minutes in Eco mode

Battery Voltage: 25 V (nominal)

Filter

Lifetime washable

Whole machine HEPA filtration efficiency: 99.99% at 0.1 µm

Logistics

Approx box weight: single battery SKU + 2 heads + 3 tools = 7.9 kg

Packaged dimensions:

(without Floor Dock) L x W x H: 990 x 280 x 154 mm

Standard guarantee

2-year guarantee – parts and labour



Cleaning tools included in the box



Fluffy Optic™ cleaner head



Digital Motorbar™ cleaner head with anti-tangle comb



Built-in dusting and crevice tool



Hair screw tool



Combination tool

For further information please contact Dyson:

AU: 1800 426 337

AUCommercial@dyson.com

www.dyson.com.au/forbusiness

NZ: 0800 397 667

NZCommercial@dyson.com

www.dyson.co.nz/forbusiness