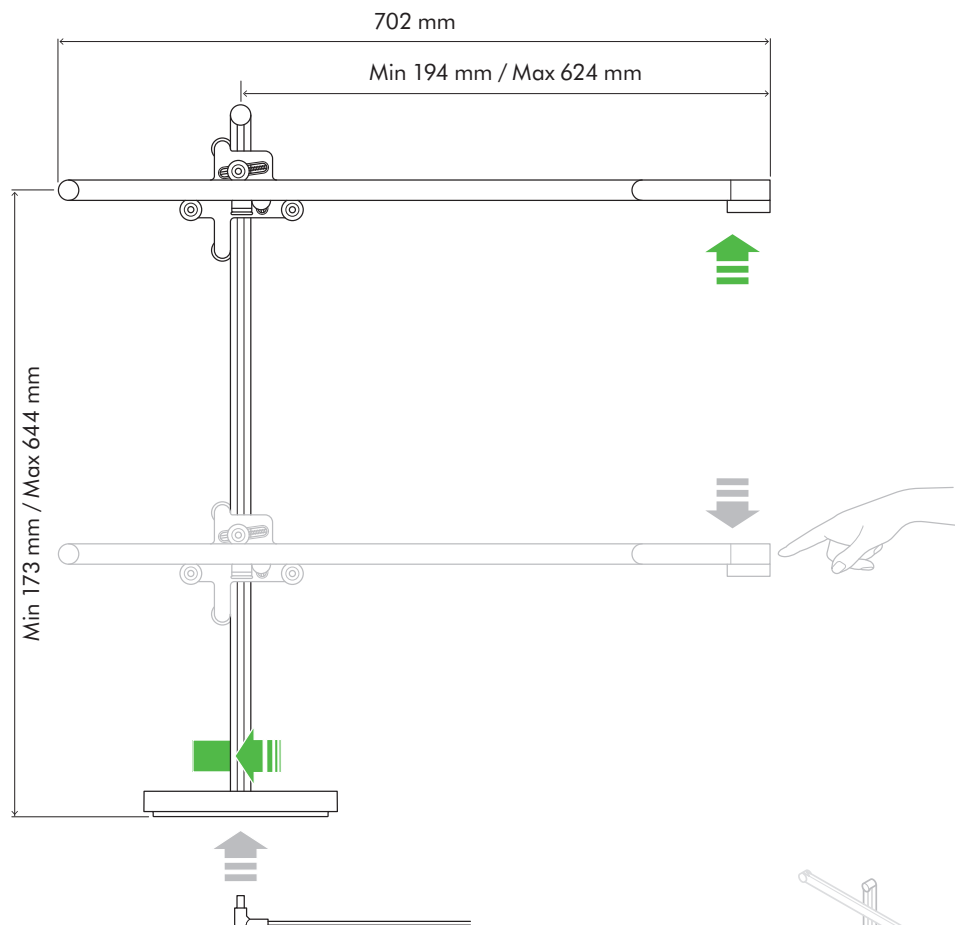


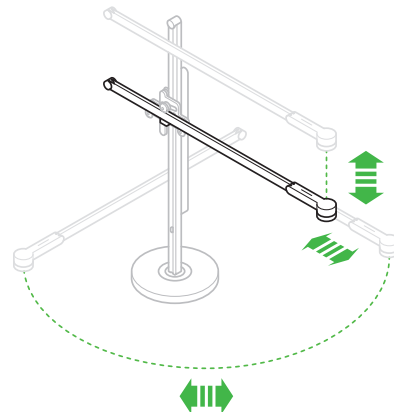
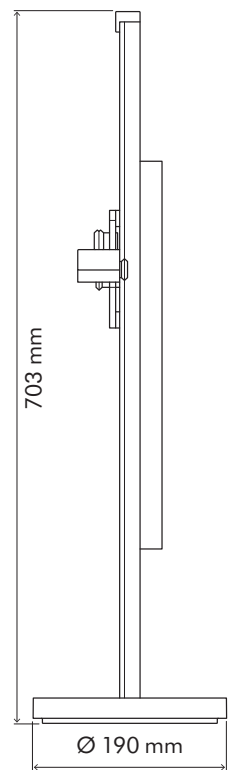
# TECHNICAL SPECIFICATION



FRONT ELEVATION



SIDE ELEVATION



**Dimensions with arm not extended**

Height 703 mm Width 702 mm Depth 190 mm

For further information please contact Dyson:  
AU: 1800 426 337 AUCommercial@dyson.com  
NZ: 0800 397 667 NZCommercial@dyson.com

## Electrical

Input voltage / Frequency: 100-240V 50/60Hz

Rated power: 10W

Power supply cord length: 3.2m

Electrical class: Class III

## Optical

Light source: LED

Light output: 916lm

Light output ratio: 92.1%

Luminous efficacy: 92lm/w

LED life time: 181,000 hours<sup>1</sup>

Colour temperature: 3500K

CRI: 90 MIN

R9: 59 MIN

Standby power consumption: <0.5W

Beam angle: 65.5 degrees

IP rating: Indoor use only

Operating temperature range: 0°-40°C, 32°-104°F

Flicker: <1%

Average lux level at full height, extension and max output  
(at 630 mm over 800 mm diameter area): 1209lx

## Construction

Materials: Aluminium / Copper / Steel / Polycarbonate Plastic

## Operation

Precision dimming

## Logistics

Net weight: 4.13kg

Packaged weight: 5.69kg

Packaged dimensions: 282.5 mm (L) x 99.5 mm (W) x 809 mm (H)

## Accreditation

Complies with:

UL 153

CSA C22.2#250.4

IEC/EN 60598-1, IEC/EN 60598-2-4

AS/NZS 60598.1, AS/NZS 60598.2.4

GB 7000.1; GB7000.204; GB4943.1

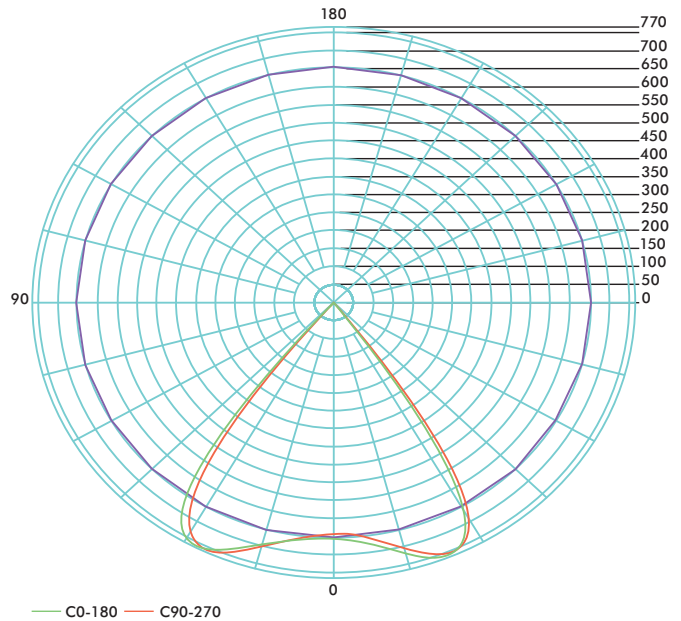
IEC 60598-1, IEC 60598-2-4

IEC60598-1, IEC 60598-2-4

## Standard guarantee

5 years parts and labour

## Polar plot



## Product range

### White/Silver



### Black/Black



<sup>1</sup>LED-life calculation is based on L70 measurement according to IEC, with an estimation of 8 hours' usage per day. Real-life results may vary. The Bluetooth® word mark and logos are registered trademarks owned by the Bluetooth SIG, Inc. and any use of such marks by Dyson is under license.